



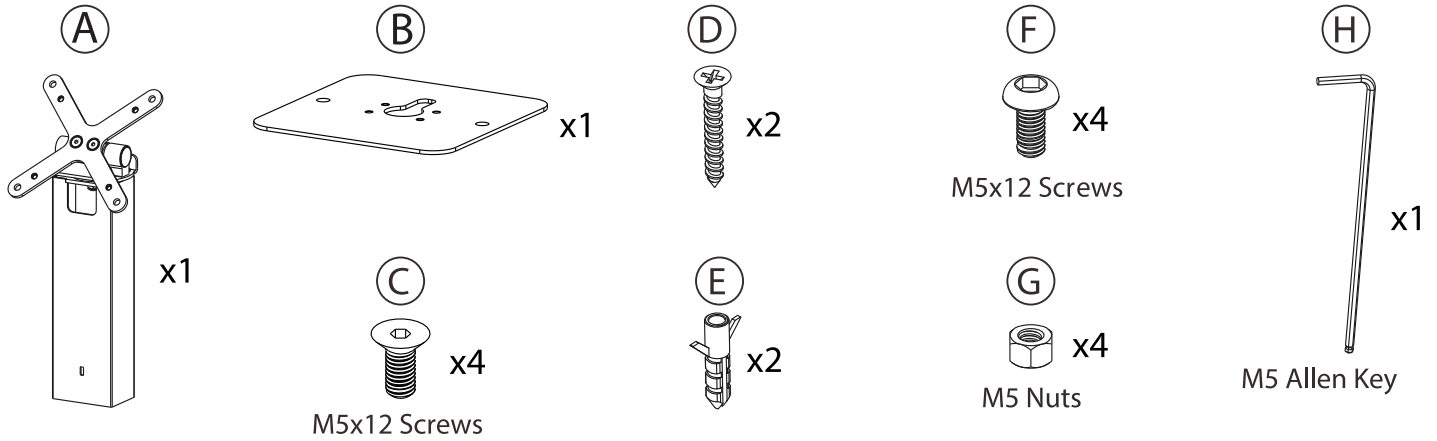
Rotating Sleek Desk Mount

for Tablets and Displays up to 11lbs
(Black/White)

ADD-RSDMB / ADD-RSDMW

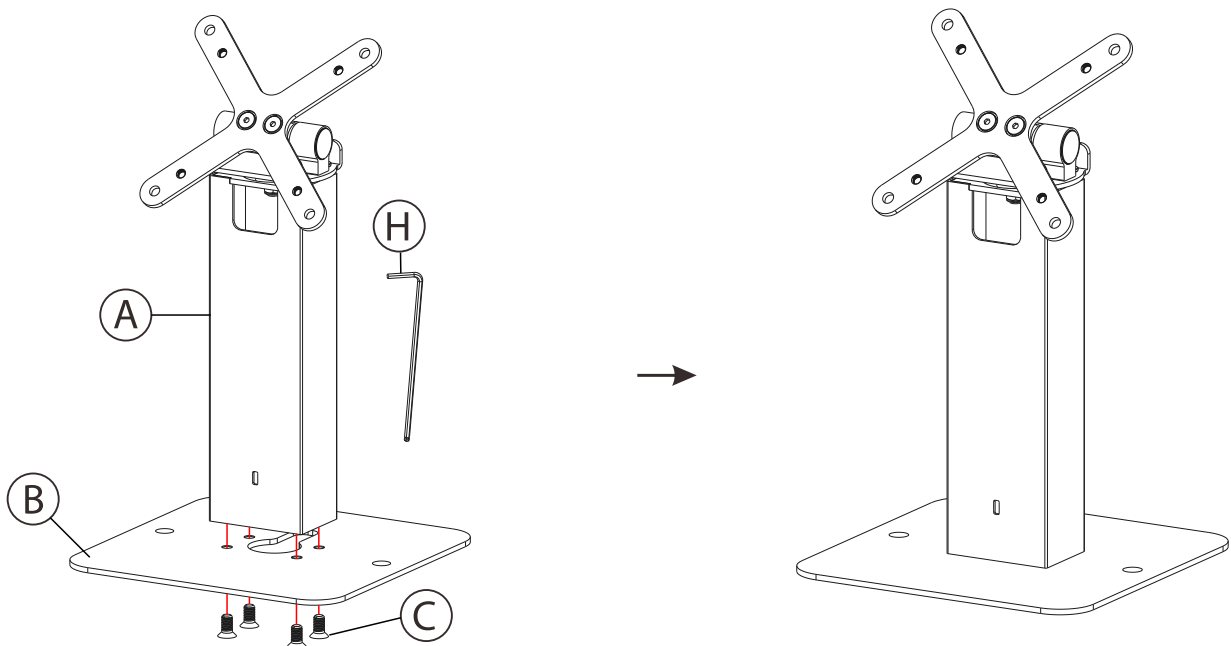
INSTALLATION - MANUAL

CONTENTS:



INSTALLATION:

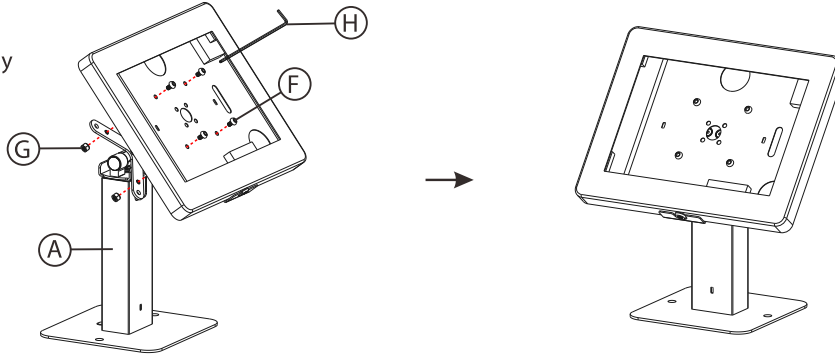
1. Assembling Body to Base:



1A. Align base (B) screw holes to screw holes of the bottom of the body(A). Rotate in screws(C) from below using provided tool (H) until securely tightened as illustrated above.

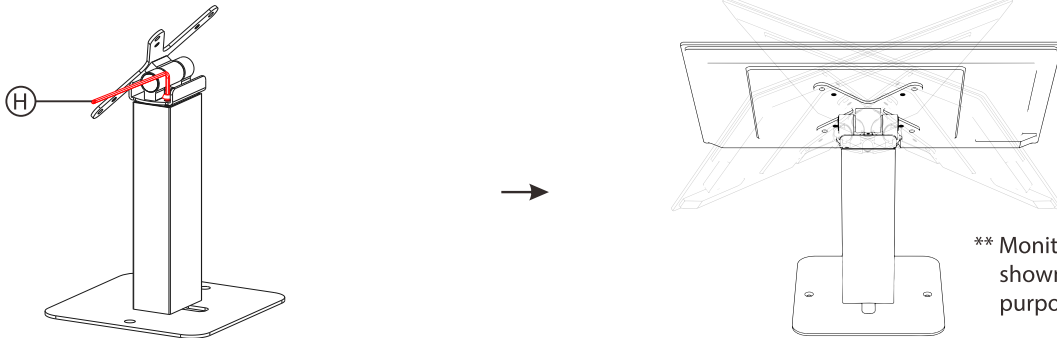
2. Attaching VESA Compatible Enclosure:

** Enclosure not included and shown for example purposes only



2A. Align VESA holes of enclosure(not included) with VESA plate of body (A). Rotate in screws (F) from above using provided tool (H) while holding hex nuts (G) from behind until securely tightened.

3. Swivel Adjustability:

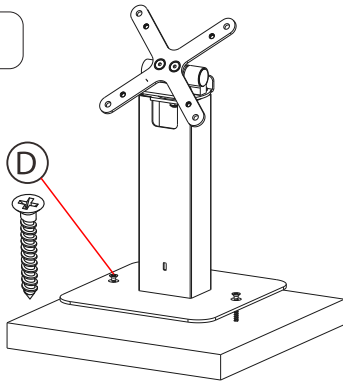


** Monitor not included and shown for example purposes only

3A. Loosen the screws with provided tool (H) to swivel a range of 180° degrees to get desired setup. Tighten screw afterwards to lock setup.

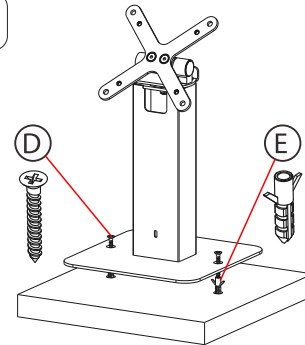
4. Fixed Mounting Setup (optional):

No Anchors



4A. Place the kiosk on top of desired surface, then rotate in screws (F) with a screwdriver tool (not included) until securely tightened.

With Anchors



4B. Insert the anchors into the surface's pre-drilled holes then align kiosk base mounting holes to the pre-drill hole locations. Rotate in screws (F) from above with screwdriver tool (not included) until securely tightened.

5. Tilt Adjustability:



** Monitor not included and shown for example purposes only.

5A. Tilt VESA joint as illustrated to desired angle view as shown.

6. Portrait or Landscape Setup



** Monitor not included and shown for example purposes only.

6A. Device can be setup with screws in Portrait or Landscape modes.