

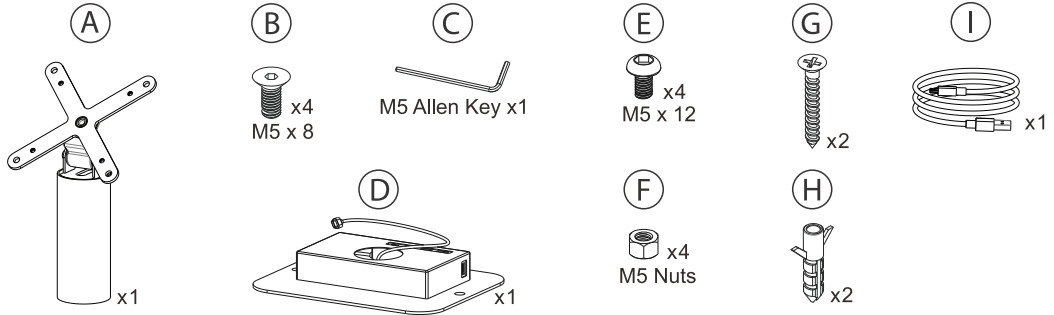


VESA Compatible Desk Kiosk with 4 USB 3.0 Data Transfer and Charge Hubs (Black)

ADD-QRUSBKB

INSTRUCTION - MANUAL

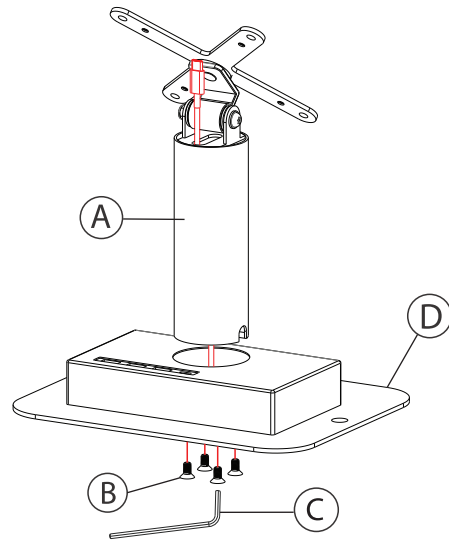
CONTENTS:



INSTALLATION:

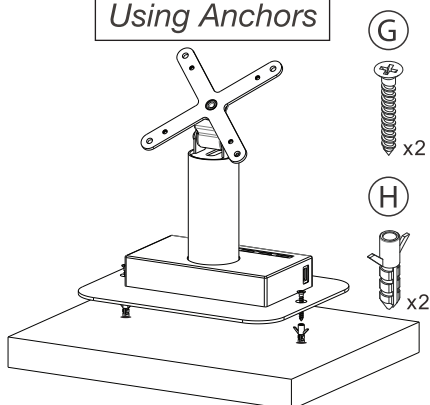
1 Setting Up Base to Body

1A: Take the already attached cord, and fish it through the bottom into the body center and out the top as shown in red. Then, align the base center hole to the bottom of the body hole. Make sure the screw holes are aligned. Then using (4) screws (B), rotate them in from below as illustrated using provided tool (C) until securely fastened.



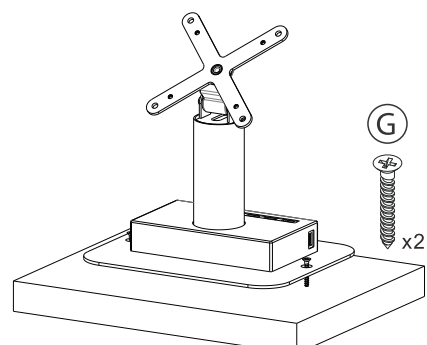
2 Mounting into Surface (Optional)

Using Anchors



2A: When mounting into surface using anchors - first mark off the holes with a pencil (not included) and pre-drill holes using the proper tools (not included). Insert the anchors. Align kiosk base with holes and rotate in screws (G) using a screw driver tool (not included) until securely fastened.

Not Using Anchors

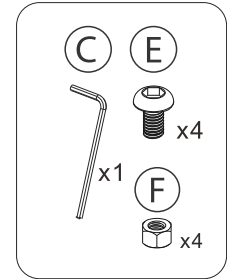
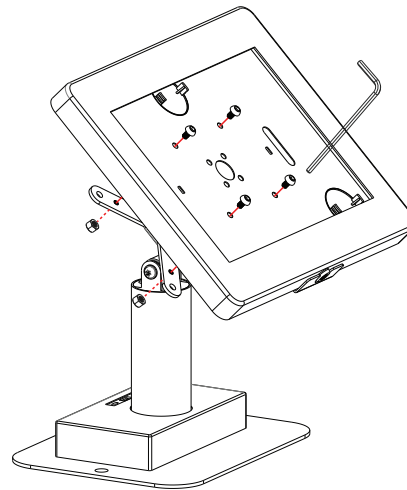


2B: When mounting into surface using just screws, rotate in screws (G) from above using a screwdriver tool (not included) until securely fastened.

3 Setting up VESA compatible item (Not Included)

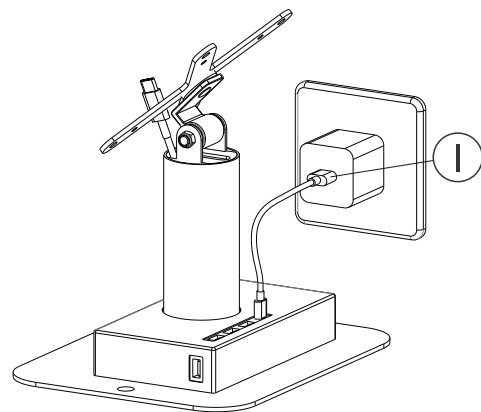
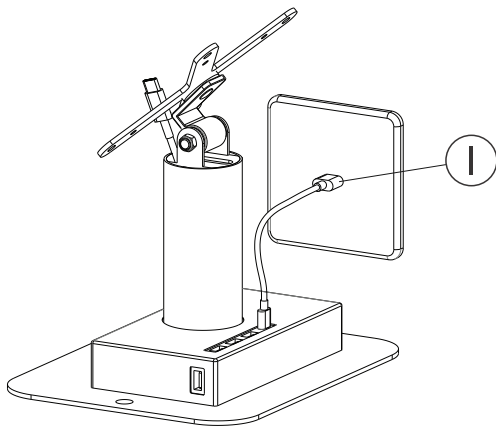
****ENCLOSURE IS FOR ILLUSTRATION PURPOSES AND NOT INCLUDED**

3A : Align VESA holes of VESA joint with the VESA holes of the compatible item. Rotate in screws (E) from above using provided tool (C) while holding the hex nuts (F) from behind with your hand as illustrated until securely fastened.



4 Setting Up Charging Cables

4A: Identify the charging hub at the base. Make sure to use the charging cable and plug into a charging source in order for your tablet to charge properly. It can be plugged in directly via the Type-C charging port or with an AC-adaptor (not included). The cable at the top of the kiosk needs to be securely inserted into your device for the charging process to start.



****AC ADAPTER FOR ILLUSTRATION PURPOSES AND NOT INCLUDED**