



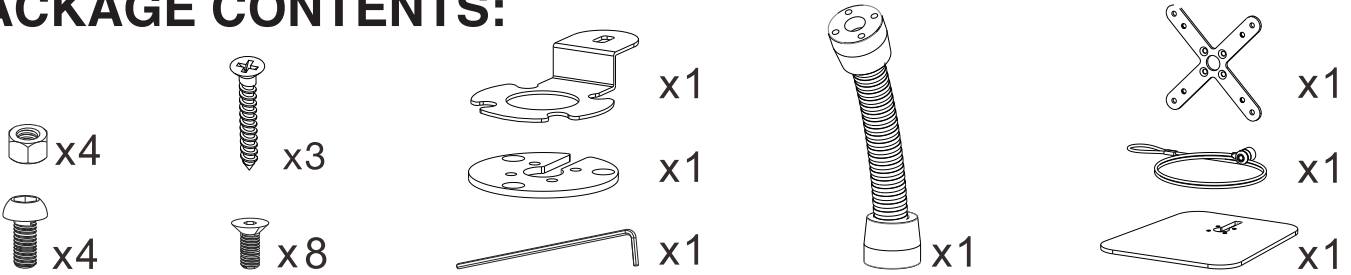
ADD-PARATB / ADD-PARATW

VESA Compatible Gooseneck Desk Mount w/ Cable Management (Black/White)

INSTRUCTION MANUAL

Thank you for choosing CTA Digital's product. We hope that you will enjoy using it. Please follow the guidelines and instructions as laid out in this instruction manual

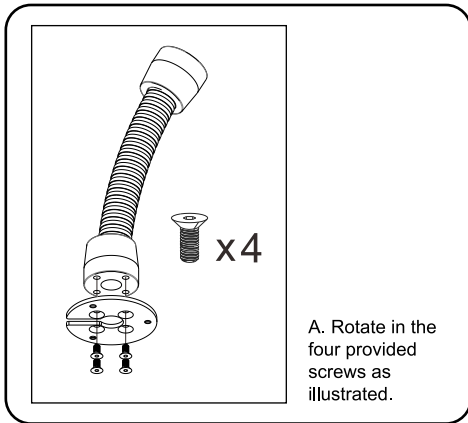
PACKAGE CONTENTS:



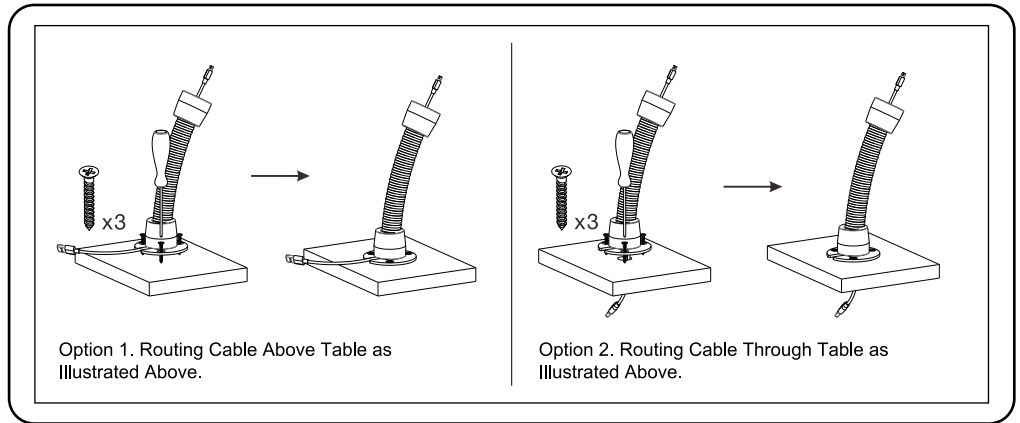
INSTRUCTIONS:

How to Mount on Table Top

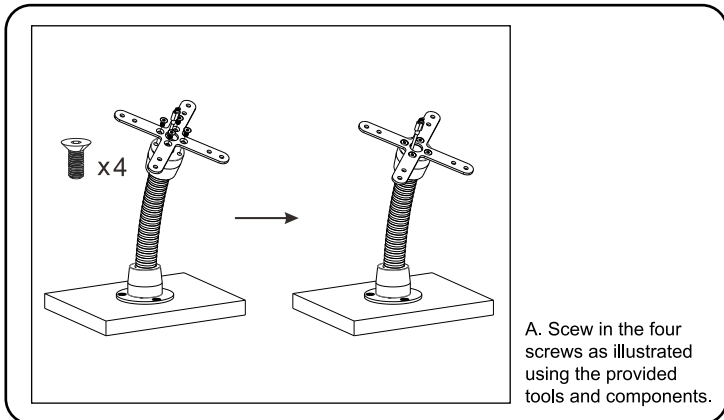
1. How to Attach Grommet to the Gooseneck.



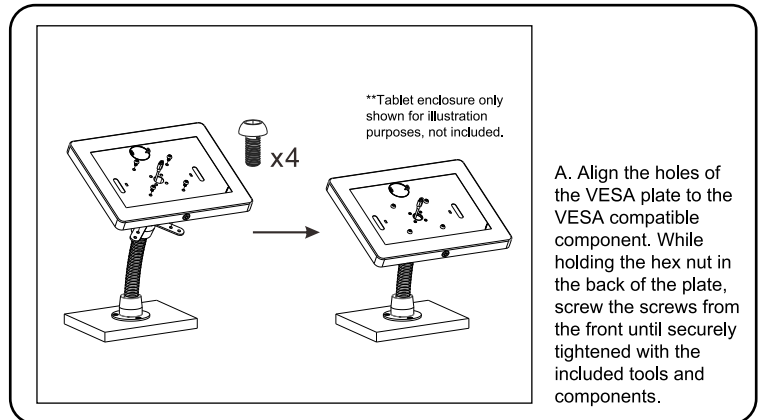
2. How to Setup Cable Management.



3. How to Attach VESA Plate.

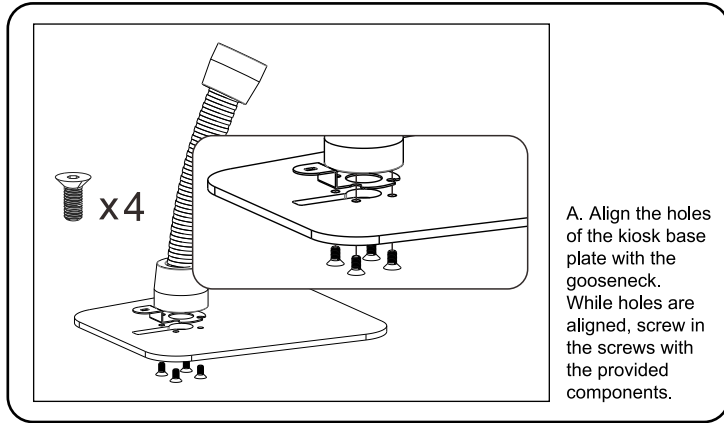


4. How to Attach VESA Compatible Component.

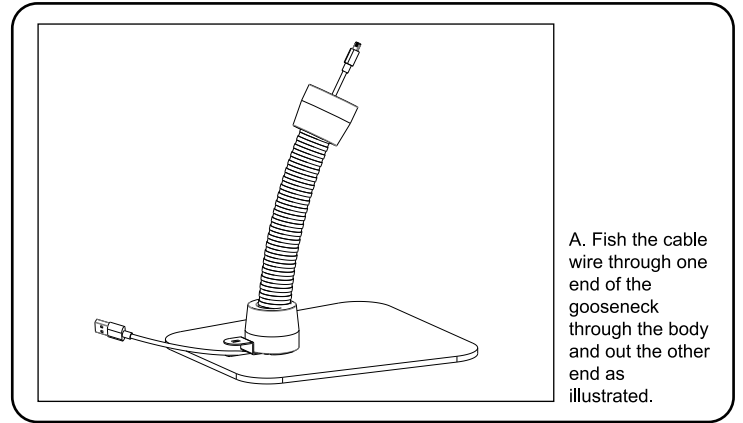


How to Setup as Table Kiosk

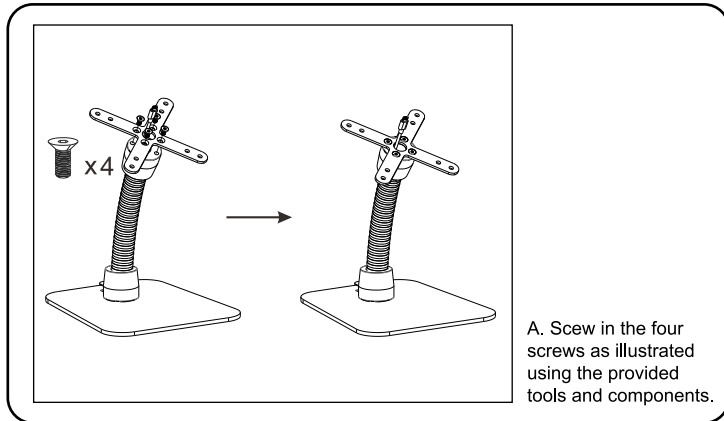
1. How to Setup Kiosk Base.



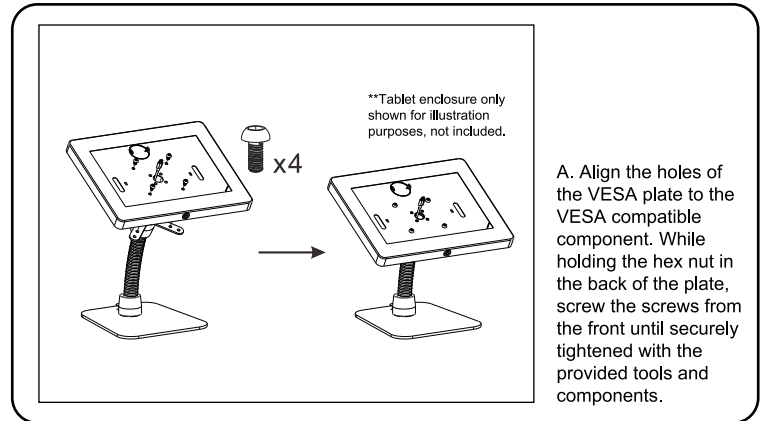
2. How to Setup Cable Management.



3. How to Attach VESA Plate.



4. How to Attach VESA compatible component



5. How to Setup Anti-Theft Security.

