



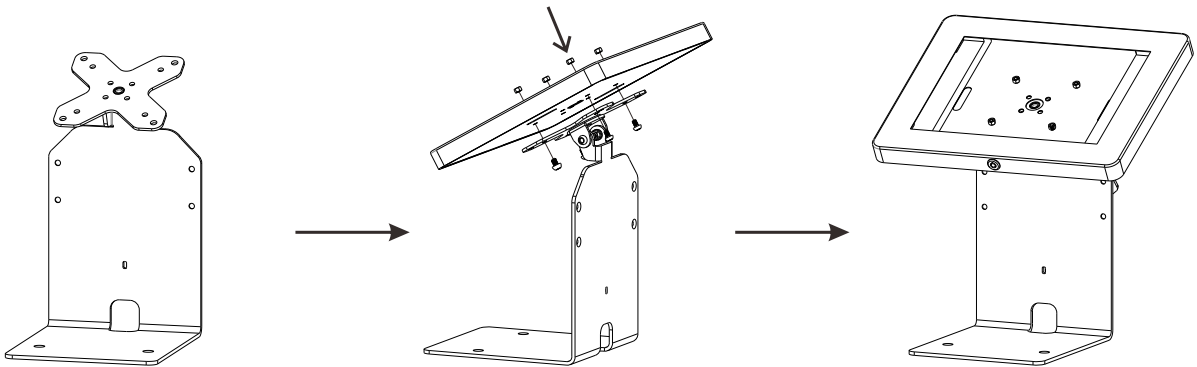
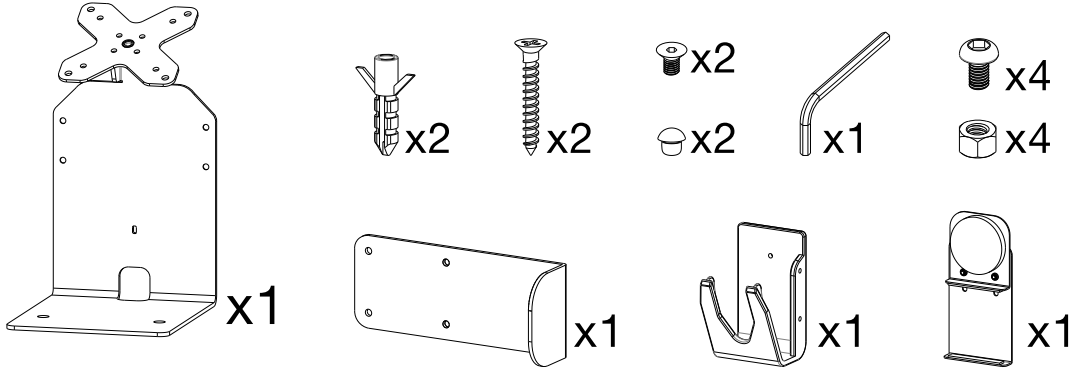
# Single VESA Plate POS Station with Printer Stand, Magnetic Scanner & Card Reader Holder

## INSTRUCTION MANUAL

### ADD-PARAPOS

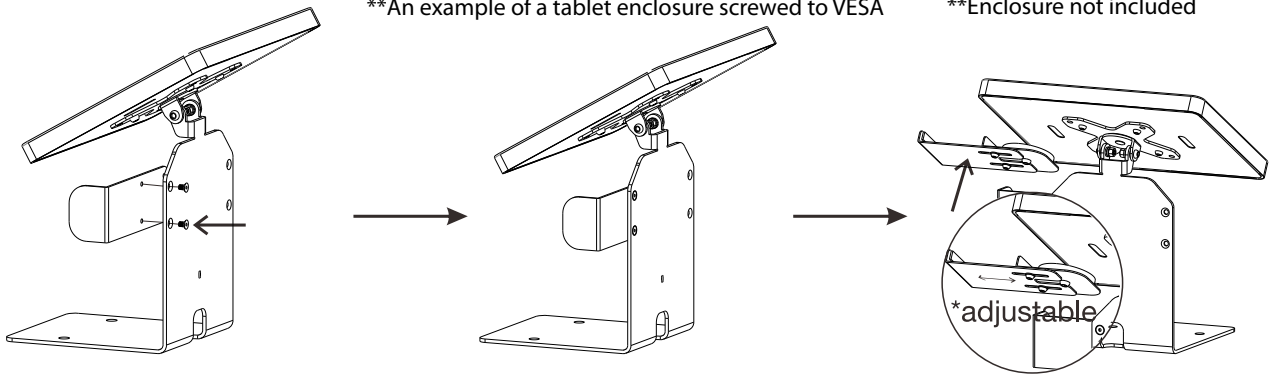
\*\*Note - Hinges may get looser and droop over time. Please tighten screws for optimum usage and efficiency.

## Component Checklist



\*\*An example of a tablet enclosure screwed to VESA

\*\*Enclosure not included

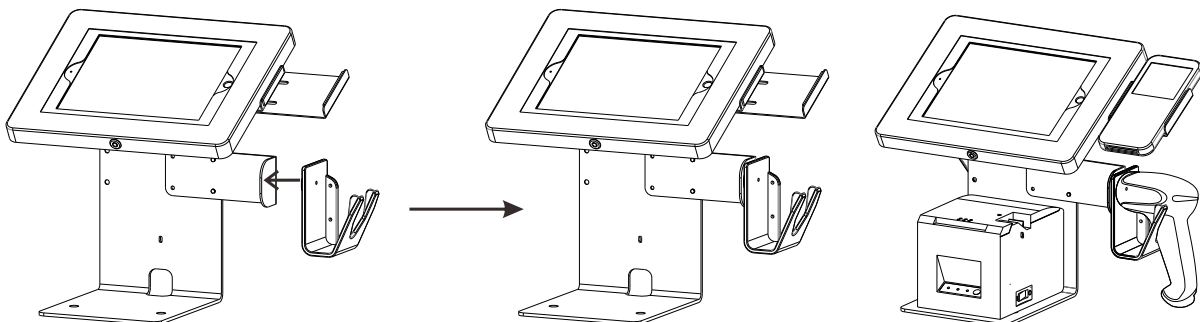


\*\*Enclosure not included

\*\*Enclosure not included

\*adjustable

\*\*Scanner, Card Reader and Printer and Enclosure are not included



\*\*An example of POS Station with full accessories