

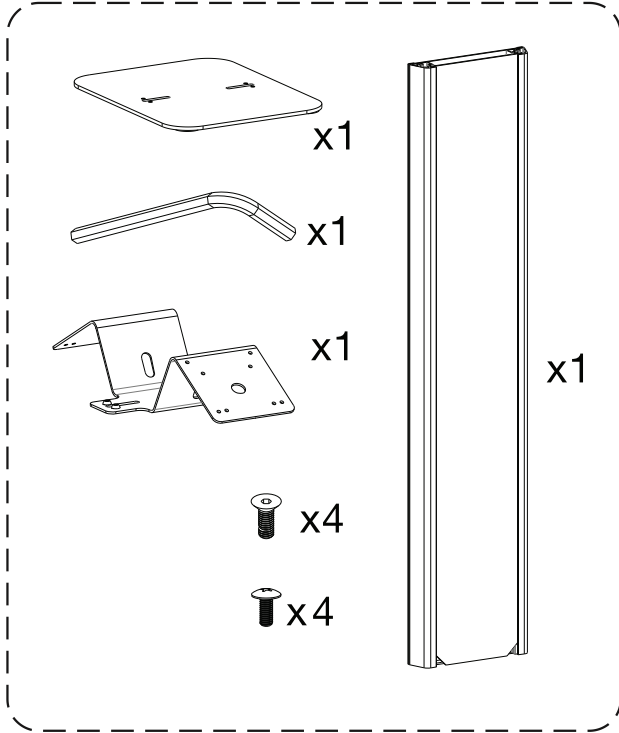


Premium Floor Stand Kiosk with Graphic Slots & Dual VESA Plates (White)

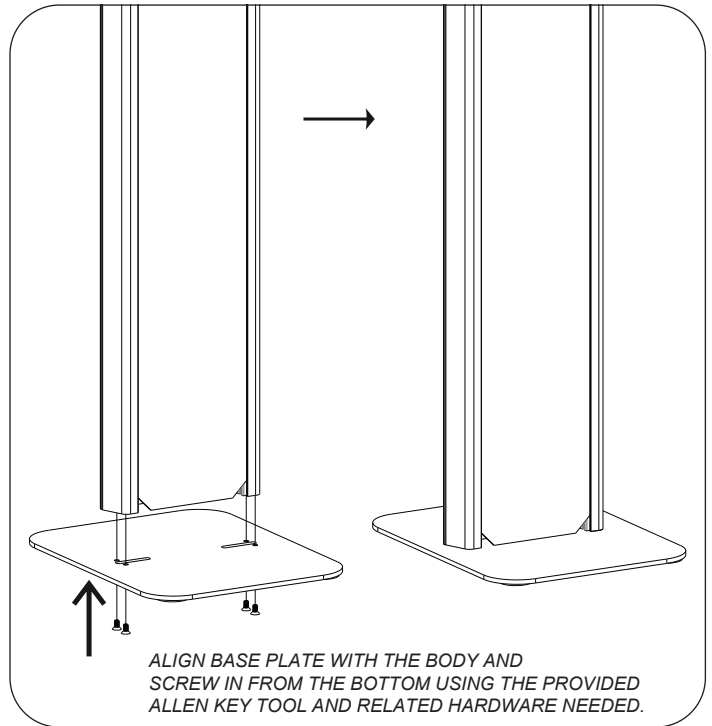
ADD-PARAFWV2

INSTRUCTION - MANUAL

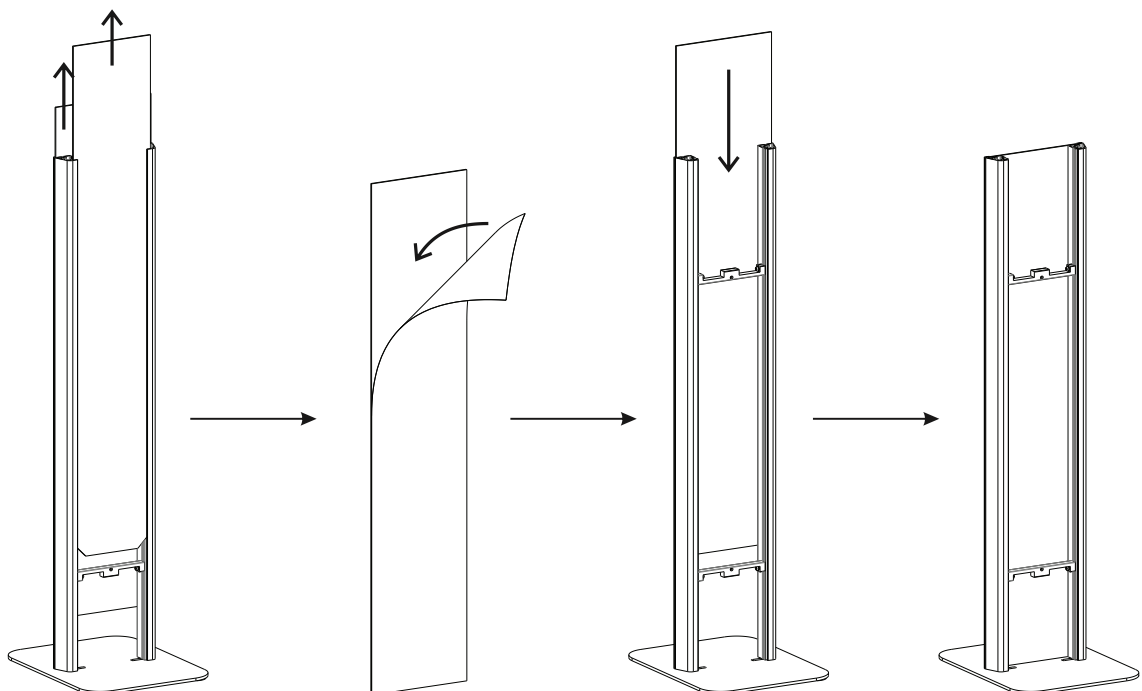
CONTENTS:



1. INSTALLING BASE:

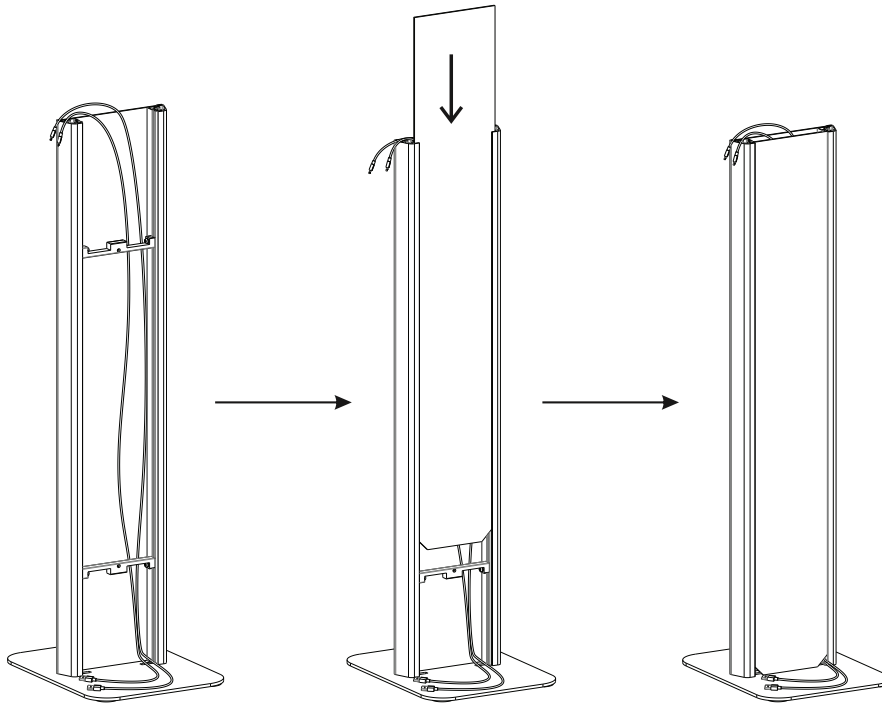


2. SETTING UP GRAPHIC CARD SLOT



SLIDE OUT THE (2) GRAPHIC CARD PANELS IN THE FRONT AND BACK. IF THERE IS A STICKER FILM, REMOVE THAT FIRST. IF YOU HAVE PRINTED OUT A STICKER GRAPHIC, PLACE IT ONTO THE PANEL. IF YOU ARE USING A COMPLETE NEW PANEL, YOU CAN REPLACE THE INITIAL PANELS THAT CAME WITH THE FLOOR STAND. PLACE ONE PANEL BACK FIRST.

3. SETTING UP CABLE ROUTING



WITH ONLY (1) PANEL BACK IN, SLIDE IN THE POWER CORDS AND ANY OTHER CORDS THAT WOULD NEED TO BE CONNECTED TO THE TABLET THROUGH THE BODY AS SHOWN. THERE WILL BE GAPS AT THE TOP AND BOTTOM FOR THEM TO ROUTE OUT TO THE POWER SOURCE AND TO THE DEVICE. SLIDE IN SECOND PANEL WHEN ROUTING IS FINISHED.

4. ATTACH DUAL VESA PLATE

SCREW IN VESA PLATE FROM THE TOP. ROUTE ANY WIRES THROUGH THE PLATE'S OPENINGS AND PLACE IN SCREWS FROM THE TOP IN THE SCREW HOLES AS SHOWN.

