

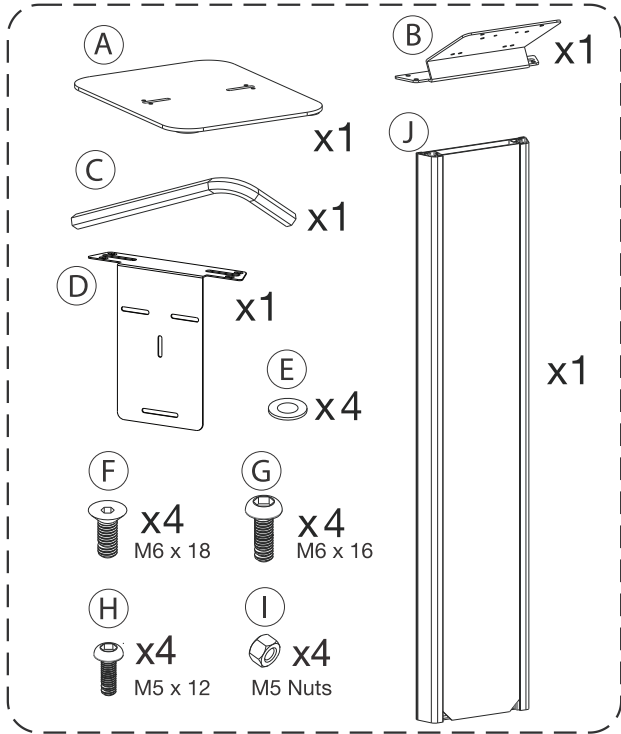


# Premium Floor Stand Kiosk with Graphic Slots & VESA Plate for Kitting (Black)

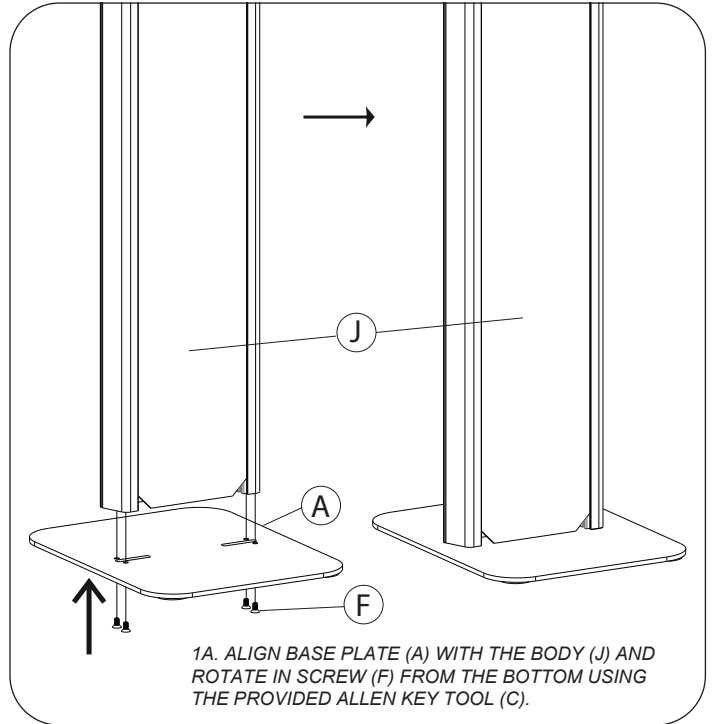
ADD-PARAFSV

INSTRUCTION - MANUAL

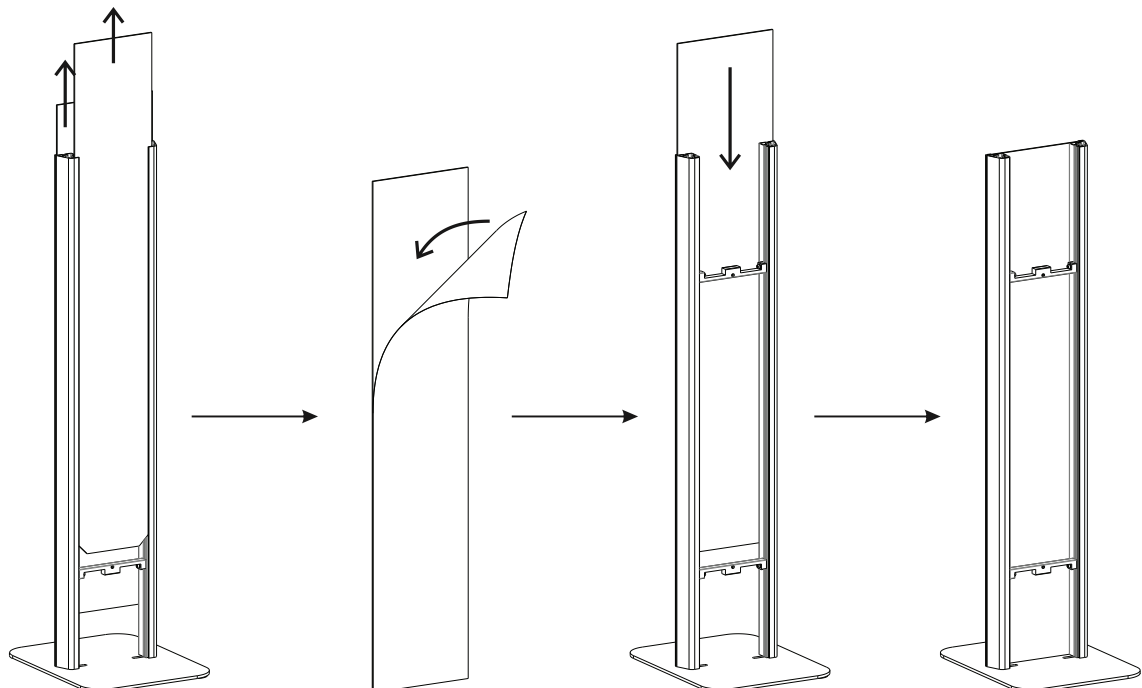
## CONTENTS:



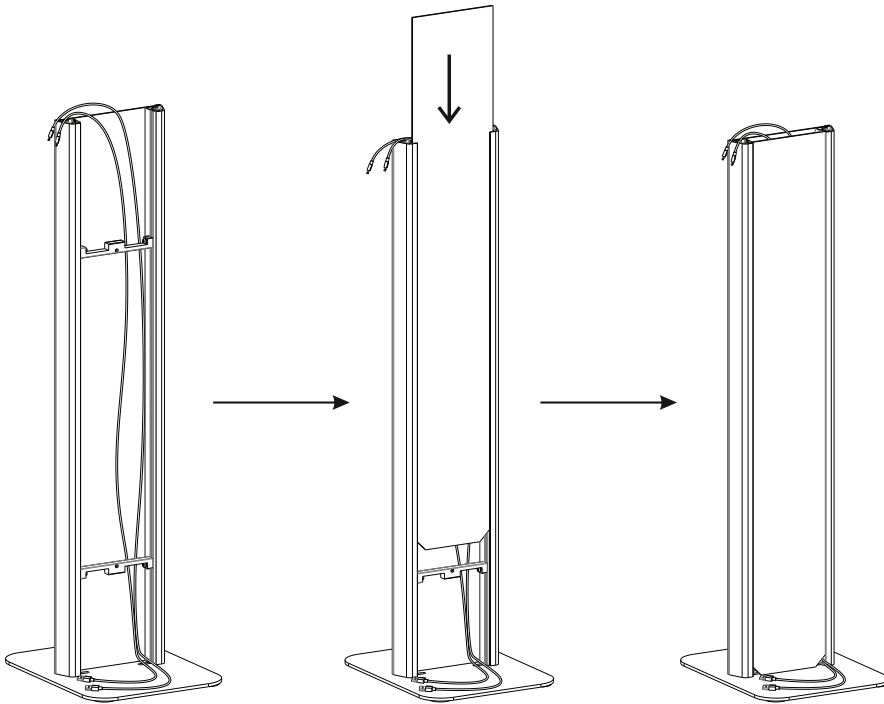
## 1. INSTALLING BASE:



## 2. SETTING UP GRAPHIC CARD SLOT

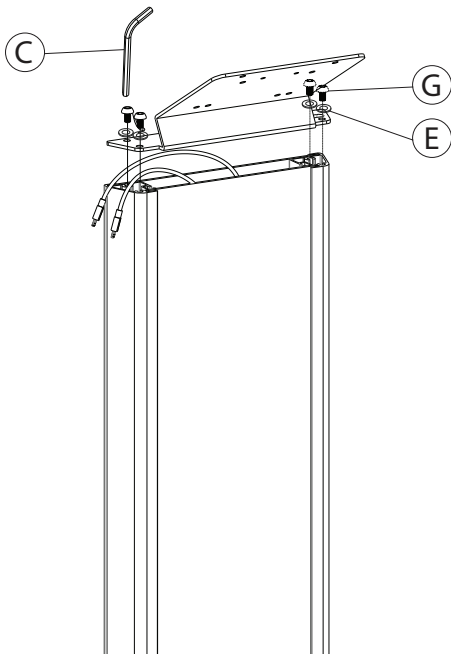


### 3. SETTING UP CABLE ROUTING



3A. WITH ONLY (1) PANEL BACK IN, SLIDE IN THE POWER CORDS AND ANY OTHER CORDS THAT WOULD NEED TO BE CONNECTED TO THE TABLET THROUGH THE BODY AS SHOWN. THERE WILL BE GAPS AT THE TOP AND BOTTOM FOR THEM TO ROUTE OUT TO THE POWER SOURCE AND TO THE DEVICE. SLIDE IN SECOND PANEL WHEN ROUTING IS FINISHED.

### 5. ATTACH VESA PLATE



5A. FIRST, WITH ALL THE ITEMS ALIGNED, ROUTE ANY WIRES THROUGH THE PLATE'S OPENINGS.

5B. THEN ROTATE IN SCREWS(G) AND WASHERS(E) FROM THE TOP USING PROVIDED TOOL (C) AS ILLUSTRATED.

### 4. ALIGN VESA PLATE AND FRONT PLATE COMPONENT AND WITH FLOOR STAND

4A. ALIGN THE VESA PLATE BASE (B) WITH THE FRONT PLATE BASE (D) TO THE TOP OF THE FLOOR STAND (J). MAKE SURE ALL THE HOLES ARE ALIGNED AND READY FOR INSTALLATION.

