

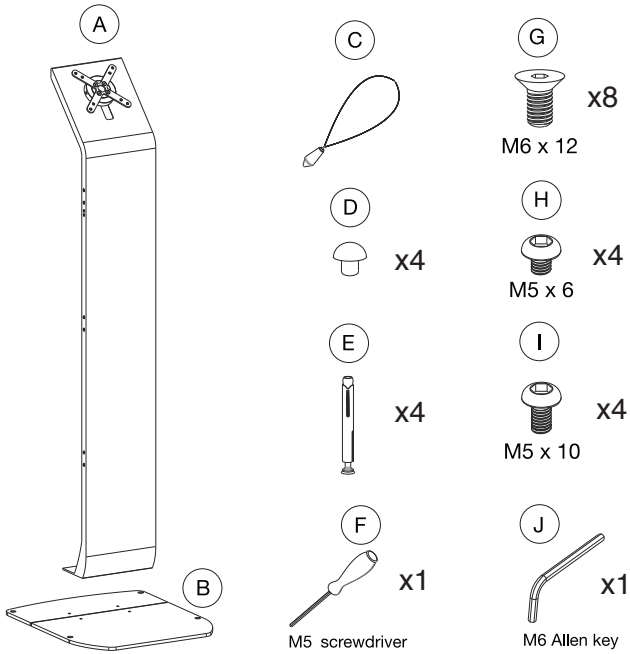


CTA Digital Floor Stand Component For Kitting

ADD-PARAFS / ADD-PARAFSW / ADD-PARAFSS

INSTRUCTION - MANUAL

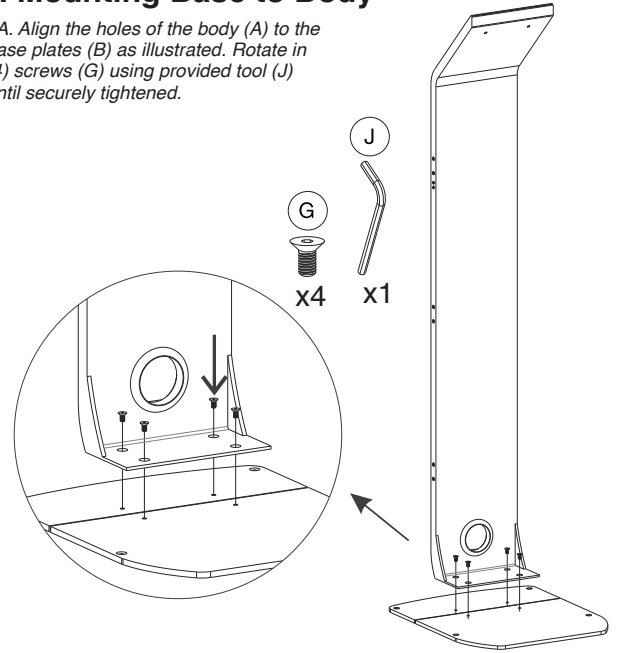
PACKAGE CONTENTS:



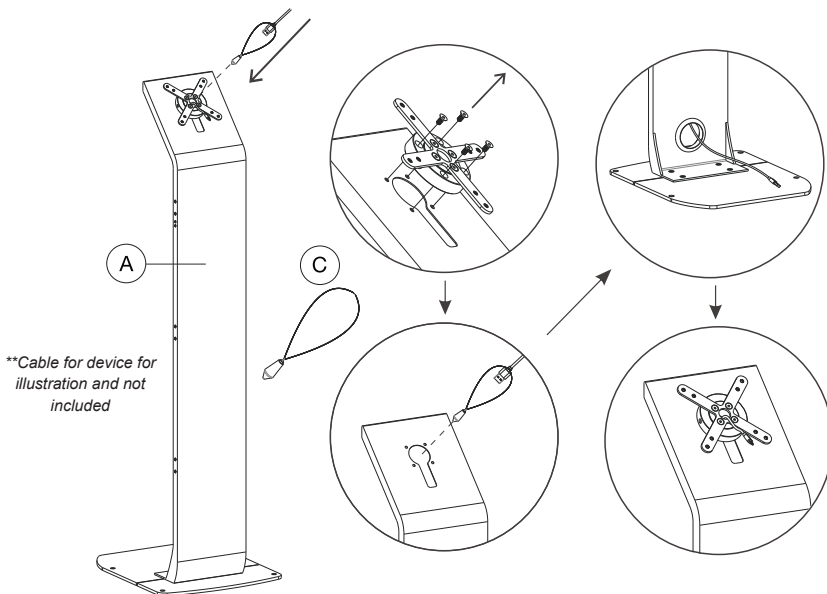
INSTALLATION:

1. Mounting Base to Body

1A. Align the holes of the body (A) to the base plates (B) as illustrated. Rotate in (4) screws (G) using provided tool (J) until securely tightened.



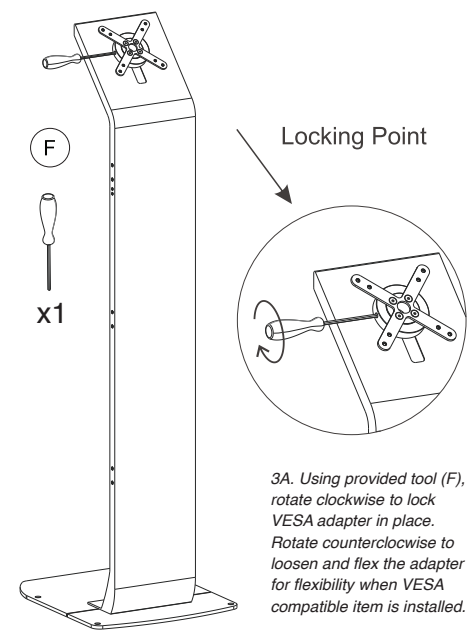
2. Setting up Cable Routing



**Cable for device for illustration and not included

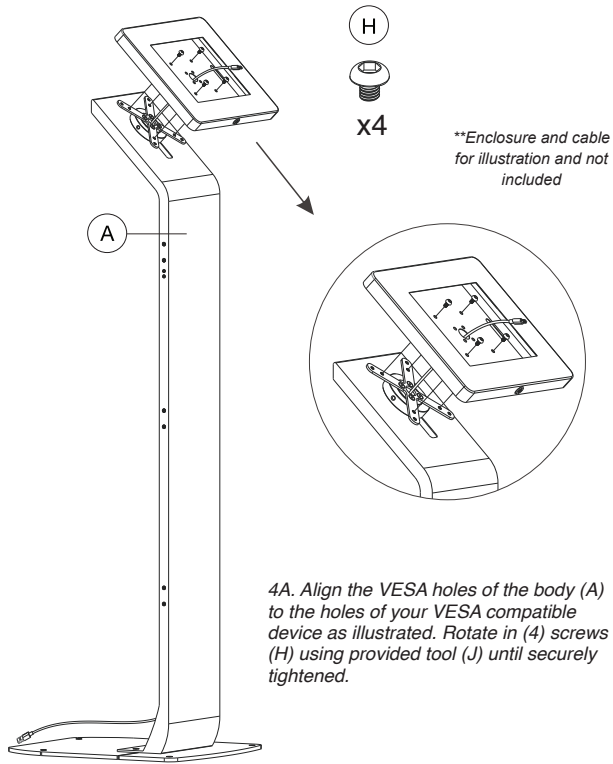
2A. Using the provided weighted pendant, route the cable through the stand. You must first remove the VESA adapter using provided allen tool to unscrew. Using the pendant tool (C), affix/tie the cable first, then fish it through the large hole at the top, drop it through the body and fish the cable through until it has come out the backside hole as illustrated. After, reattach the VESA adapter with screws (G) and provided tool. Make sure to pull cable through hole before you reattach as illustrated above.

3. Adjusting VESA Adaptor

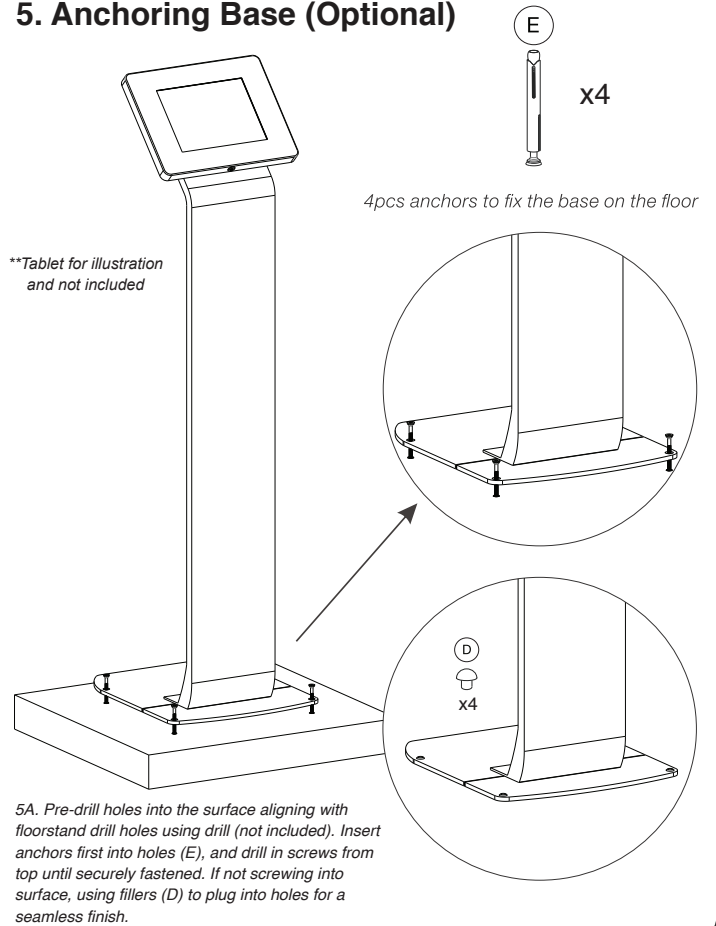


3A. Using provided tool (F), rotate clockwise to lock VESA adapter in place. Rotate counterclockwise to loosen and flex the adapter for flexibility when VESA compatible item is installed.

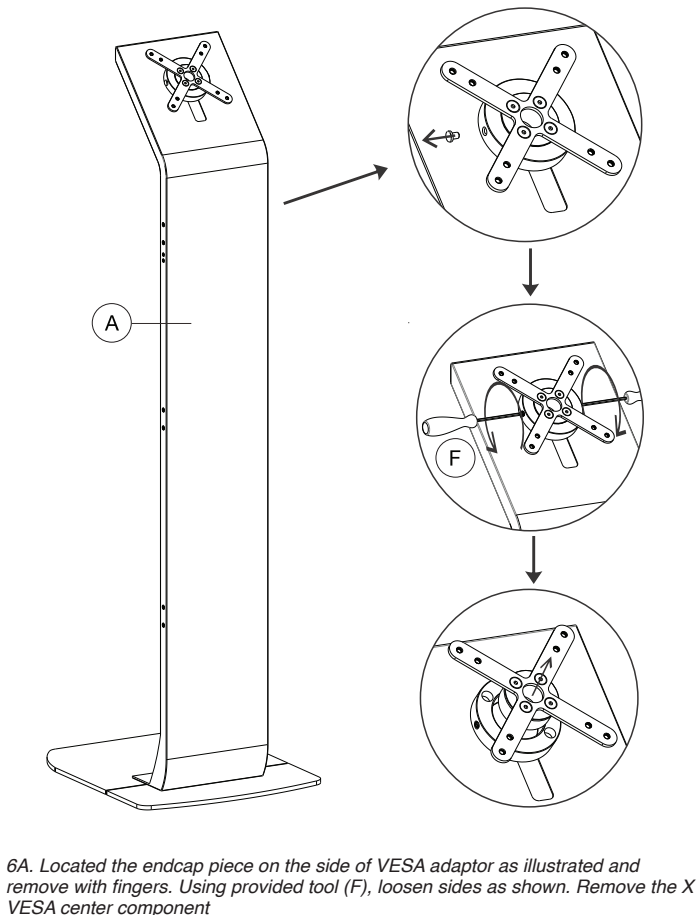
4. Setting up VESA Compatible Items



5. Anchoring Base (Optional)



6. Removing VESA Adaptor for Monitor Setup



7. Attaching Monitor and Reassembling

