

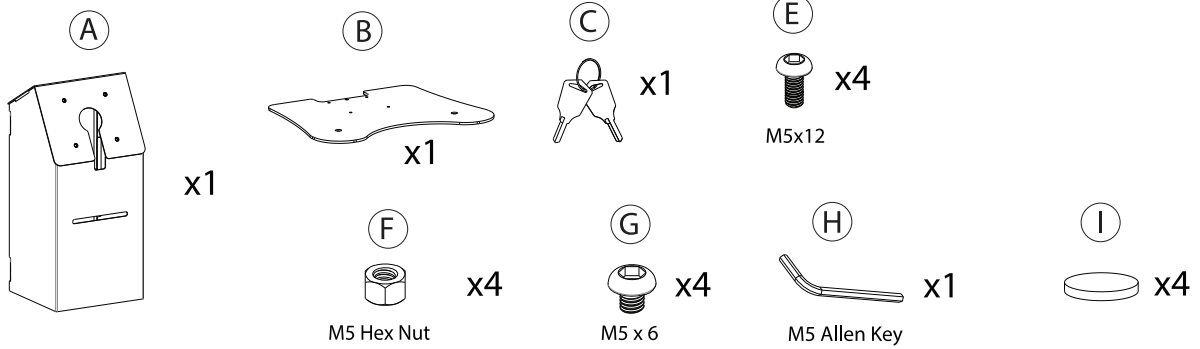


VESA Compatible Desk Mount with Printer Shelf Compartment

ADD-PARAFPDM

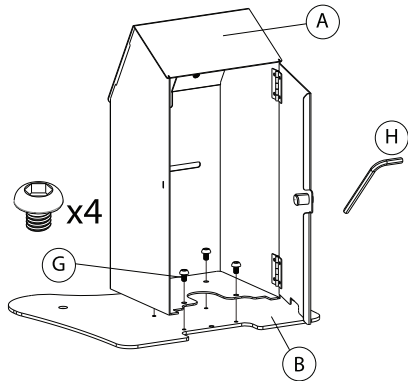
INSTRUCTION - MANUAL

CONTENTS:



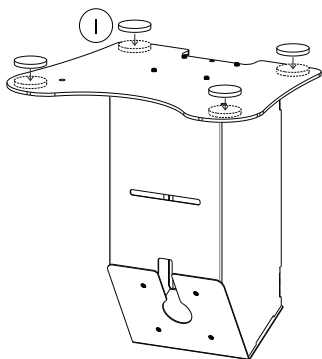
INSTALLATION:

1. Assembling base



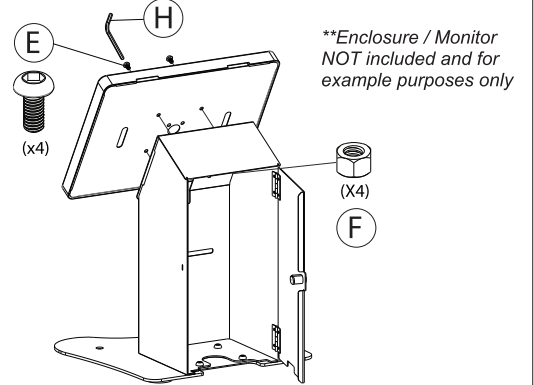
1A. Connect base (B) with body (A). Take the body (A) and align the mounting holes. Rotate in (4) screws (G) with provided allen key (H) until securely tightened.

2. Attaching Base Pads

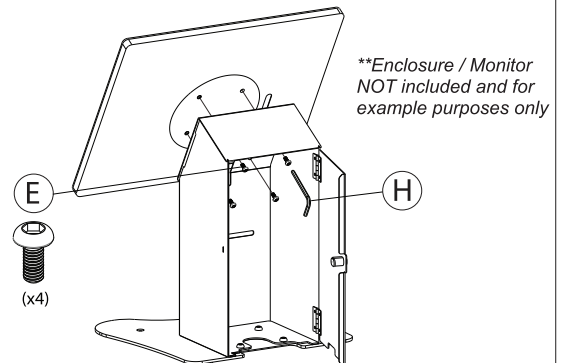


2A. Flip over the now combined base section. Find the base pads (component I) and peel off the sticker to expose the adhesive. Place the foam pads (adhesive face down on base) at the corners and give it a firm press for a few seconds until it's securely attached.

How To Attach a VESA Compatible Device



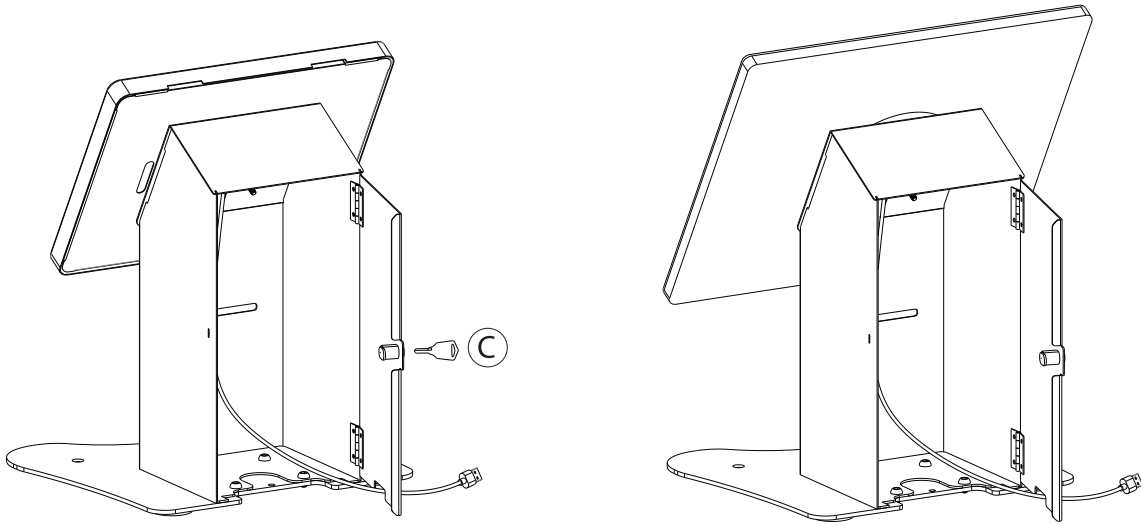
When attaching a CTA paragon enclosure, rotate in from the front (4) screws (E) using the provided allen key tool (H) while holding hex nuts from behind with your hand. Keep rotating until securely tightened.



When attaching a monitor or other VESA compatible item, rotate in (4) screws (E) from behind until securely tightened using provided allen key tool (H).

How To Cable Route & Storage Manage

*** Enclosure, Monitor and Cables not included and shown for example purposes only.*



Unlock all back compartment using keys (C). Fish wire through the top to connect with device and out the bottom to your outlet or desired power source. Close door, insert key and rotate counterclockwise to lock.