

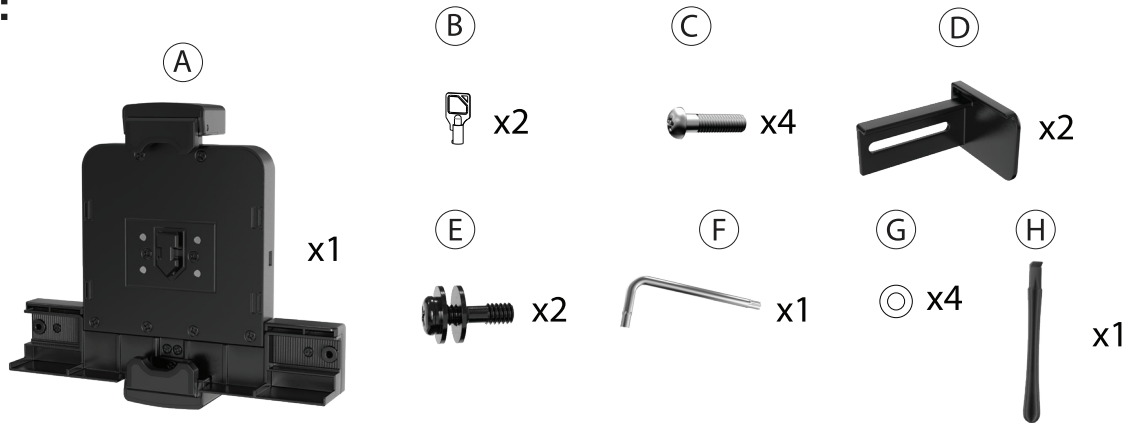


# CTA Digital Security Holder for Otterbox uniVERSE Series Cases

ADD-OTTERUNI

INSTRUCTION - MANUAL

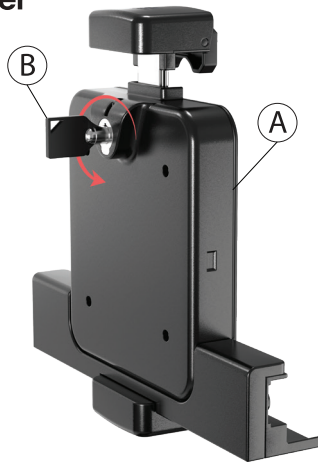
## CONTENTS:



## INSTALLATION:

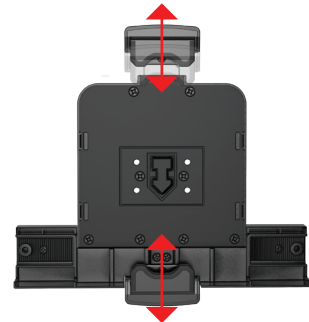
### 1. Unlocking Tablet Holder

1A. Insert the key (B) in the back of the holder (A) to allow the holder to be unlocked and have flexibility.



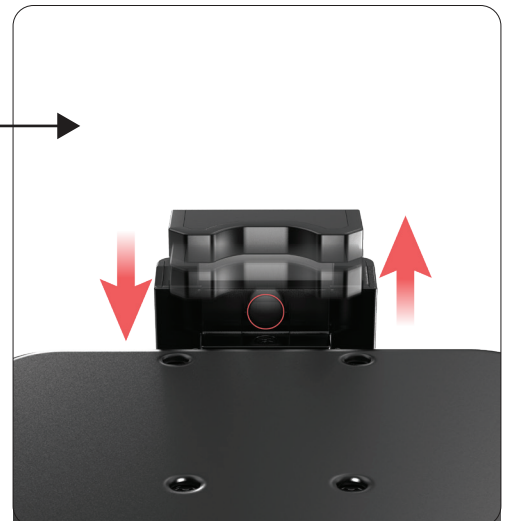
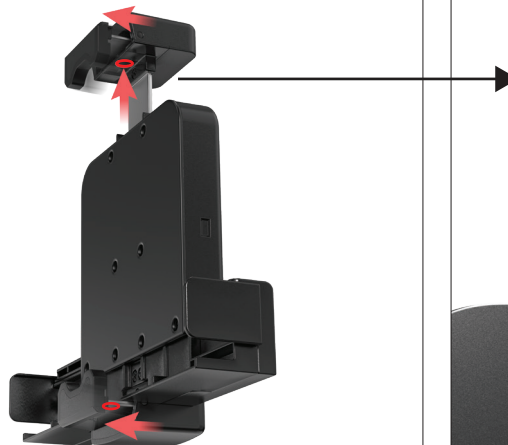
### 2. Extending Vertical Arm

2A. Once holder has been unlocked, the vertical holder arm can not easily adjust up and down. Extend the arm to the max range. The bottom arm will be move up and down at the same time.



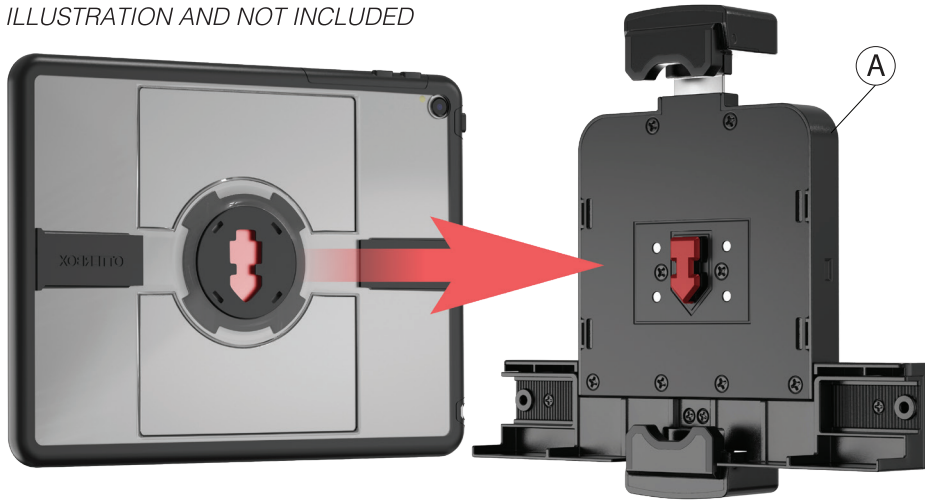
### 3. Press Release Button

3A. There will be a round release button on the inside of the top and bottom holder grip areas. Once you press it down, the forward facing grip will extend to the max range.



#### 4. Align Tablet Case Adapter to Holder Adapter

**\*\*DEVICE AND CASE ARE SHOWN FOR ILLUSTRATION AND NOT INCLUDED**



4A. Identify the male adapter in the center of the holder (A) as illustrated. Find the adapter connection on the back of the tablet case and line up the shapes first. (Case and Tablet are shown for illustration and not included)

#### 5. Inserting Tablet and Case

**\*\*DEVICE AND CASE ARE SHOWN FOR ILLUSTRATION AND NOT INCLUDED**

5A. Once adapter is aligned, there will be 4 magnets (highlighted in red) which will help guide the tablet and case to the right location on the holder. (Shown in FIG 1)

5B. Once the tablet and case's adapter is connected to the holder's adapter, you must slide it down to lock it in place. (Shown in FIG 2)



FIG 1

FIG 2

#### 6. Securing Holder to Tablet and Case

6A. Once the case has been inserted. Retract all the holder arms and grips that was extended earlier. This includes the vertical arm and then the two forward grips, gently push them back until they are flush with the edge of the case securely. (shown in FIG 3)

**\*\*DEVICE AND CASE ARE SHOWN FOR ILLUSTRATION AND NOT INCLUDED**

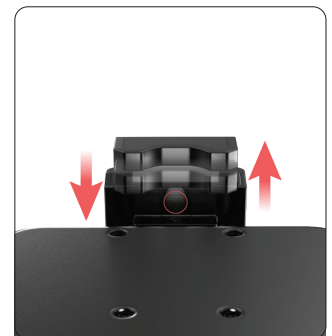
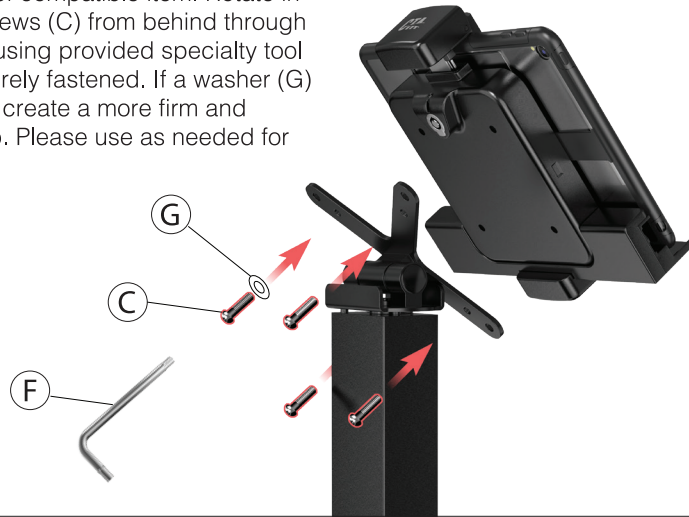


FIG 3

## 7. Attaching to VESA Compatible Product (Not Included)

7A. Align back VESA holes of holder to VESA holes of compatible item. Rotate in specialty screws (C) from behind through VESA holes using provided specialty tool (F) until securely fastened. If a washer (G) is needed to create a more firm and secure setup. Please use as needed for all 4 screws.



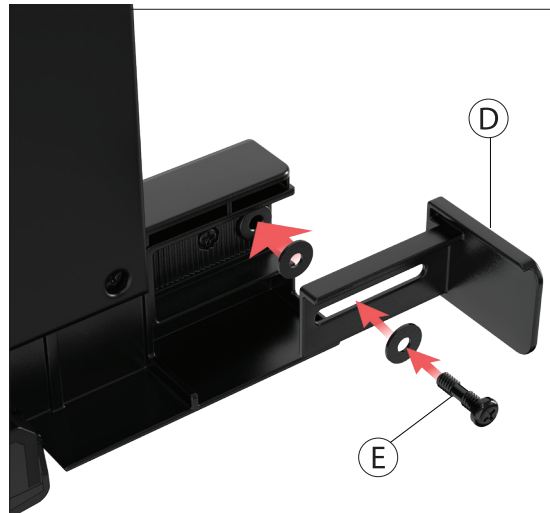
*\*\*DEVICE, CASE, KIOSK ARE SHOWN FOR ILLUSTRATION AND NOT INCLUDED*

## 8. Attaching Holder Arm End Components (Optional for Different Compatibilities)

8A. For different uniVERSE case compatibilities, attaching the holder arm end components (D) will provided added security.

8B. Rotate in the “L-Shaped” end component using the screw and washers in the order shown on the right. Using a screwdriver (not included), rotate in screw until securely attached. Keep the screw semi-loose to adjust the range of the end component (D) until secure on the vertical edges of the case. Rotate the screws tightly until securely fastened when the end component has been set to the edge of the case.

8C. Repeat for the other end of the holder as well.

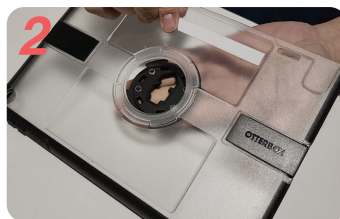


## 9. How to Remove and Add Case Adapter



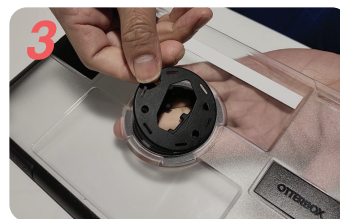
### Removing Center Adapter

Use provided pick tool (H) and insert into the slots and lift up. Repeat this at each slot until adapter comes out.



### Attach Center Adapter to Case

Align case hole opening with bottom adapter as shown above and press in.



### Attach Center Adapter to Case

Align top of adapter with case hole opening and bottom adapter



### Attach Center Adapter to Case

Using both hands as shown, sandwich the two halves of the adapter until everything clicks in and is securely assembled.