

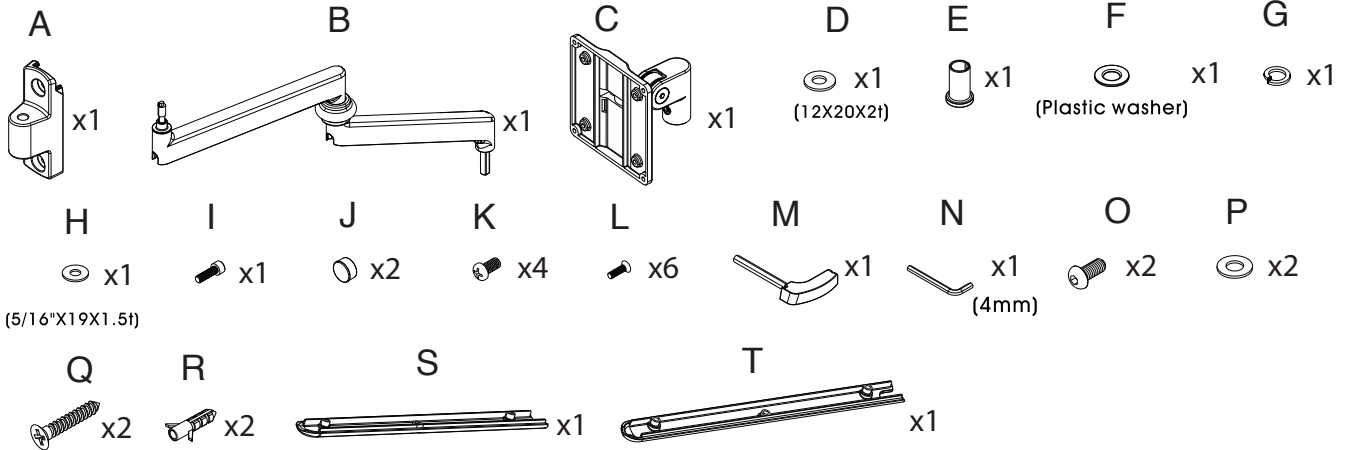


Anti-Microbial Medical VESA Arm Wall Mount

ADD-MEDARM

INSTRUCTION - MANUAL

CONTENTS:



INSTALLATION:

1. Setting up Mounting Canopy to Wall

****Screwdriver shown for example and NOT included**

J		X2
P		X2
Q		X2
R		X2

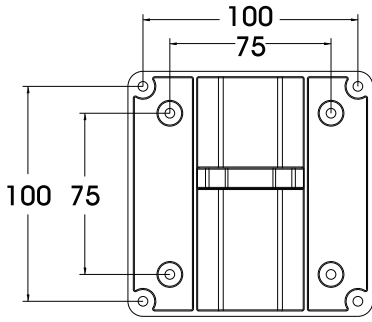
1A. Place the canopy (component A) of the medical arm to the desired location on the wall. Using a screwdriver (not included), and components P, Q, and R - set up the canopy to the wall until securely tightened. Place endcap (component J) on, after everything has been securely tightened for a clean finish.

2. Assembling the Arm to the Canopy

2A. Insert medical arm (component B) into the wall canopy with the plastic washer (component F) as shown.

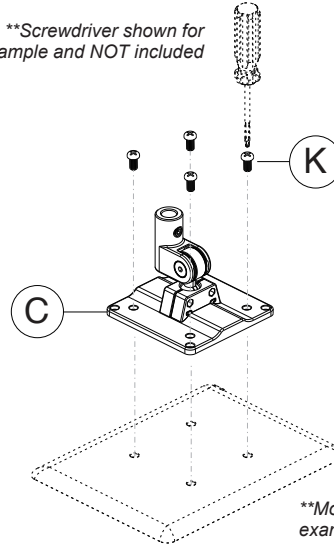
2B. Using the combination of components E, D, H, G and I, assemble the arm and rotate in screw (component I) with provided tool (component M) until securely tightened.

3. Assembling the VESA Plate to a VESA Compatible Item



75mmx75mm
100mmx100mm
VESA interface.

**Screwdriver shown for example and NOT included



3A. Align the VESA holes of the VESA plate to the VESA compatible item as shown. Only VESA hole configurations are 75x75mm or 100x100mm are possible.

3B. Using a screwdriver (not included), rotate in (4) screws (component K) from behind of the VESA plate (component C - shown to the left) until securely tightened.

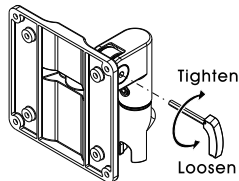
**Monitor shown for example and NOT included

***Loading: Approximately 1-3 KG

4. Inserting VESA Plate attached to VESA Compatible Item into the arm

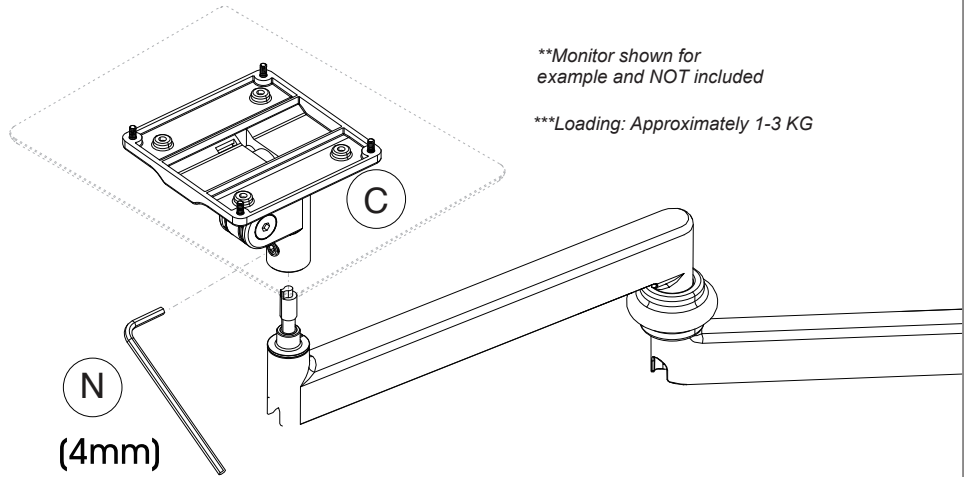
4A. Take your VESA Plate (component C) attached with the VESA compatible item and insert and connect the female to male components as shown to the right.

4B. Using the provided allen key tool (component N), tighten the pieces together at the integral piece shown to the right until securely fastened.



Adjusting Tilt Angles

Using the provided tool (component M), tighten and loosen the joint behind the VESA plate (component C) to adjust different angles and also set it in place once desired angles has been found as shown



**Monitor shown for example and NOT included

***Loading: Approximately 1-3 KG

5. Setting up Cable Routing / Cable Management

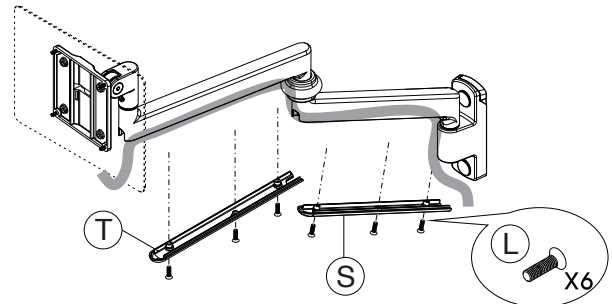
(TOP VIEW)



5A. Locate the holes in the medical arm to understand the pathing a little bit from right next to VESA plate (component C), all the way to the canopy (component A)

5B. Plug one end of the cable into your device and fish the wire underneath the arms as shown while putting on the arm caps (component T and S) by rotating in screws (component L) until securely fastened. Plug other end of cable into outlet or desired power source as required.

(FRONT ANGLE VIEW)



**Monitor shown for example and NOT included