

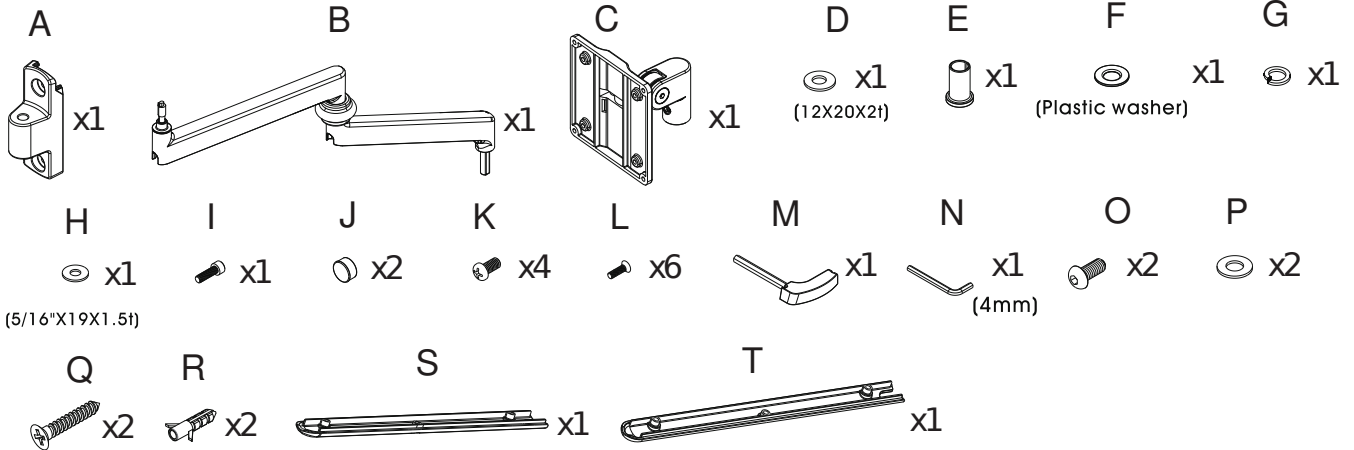


# Anti-Microbial Medical VESA Arm Wall Mount

ADD-MEDARM

INSTRUCTION - MANUAL

## CONTENTS:



## INSTALLATION:

### 1. Setting up Mounting Canopy to Wall

*\*\*Screwdriver shown for example and NOT included*

J		X2
P		X2
Q		X2
R		X2

1A. Place the canopy (component A) of the medical arm to the desired location on the wall. Using a screwdriver (not included), and components P, Q, and R - set up the canopy to the wall until securely tightened. Place endcap (component J) on, after everything has been securely tightened for a clean finish.

### 2. Assembling the Arm to the Canopy

2A. Insert medical arm (component B) into the wall canopy with the plastic washer (component F) as shown.

2B. Using the combination of components E, D, H, G and I, assemble the arm and rotate in screw (component I) with provided tool (component M) until securely tightened.