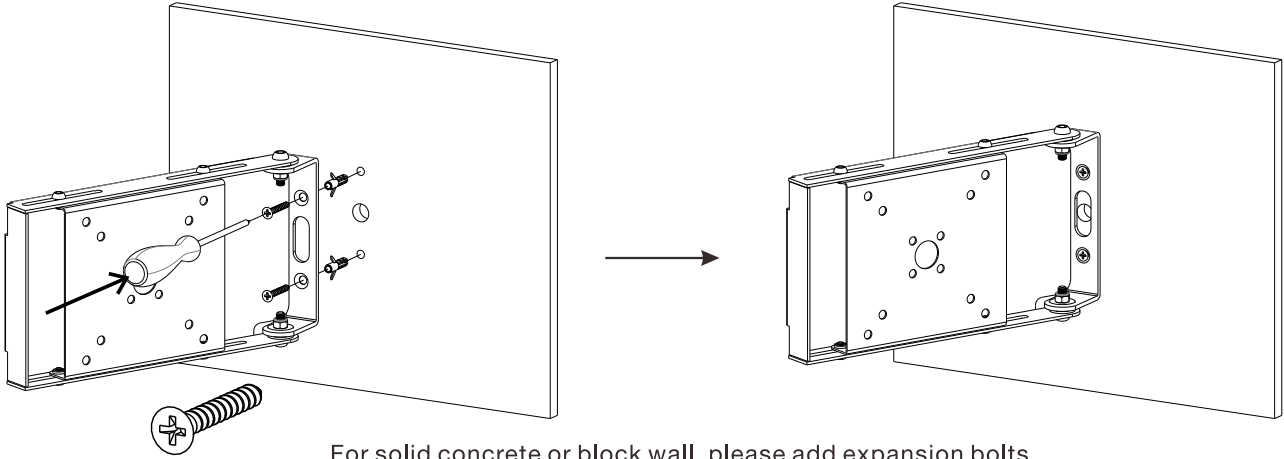




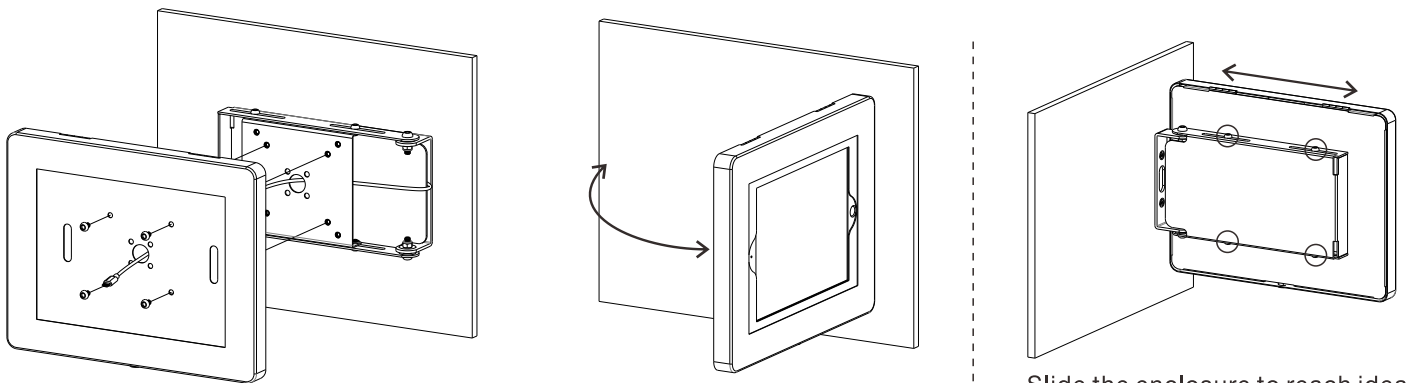
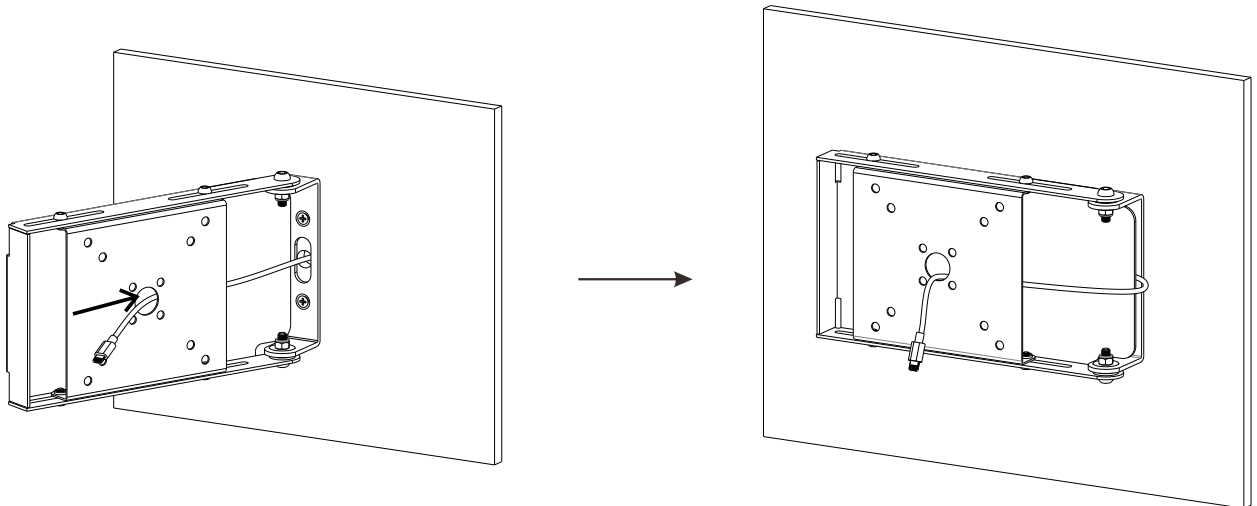
Mullion Side Mount

INSTRUCTION MANUAL

ADD-MUL



For solid concrete or block wall, please add expansion bolts.
For stud wall only use self-tapping screws.



* Enclosure not included

Slide the enclosure to reach ideal position then tighten the screws.