

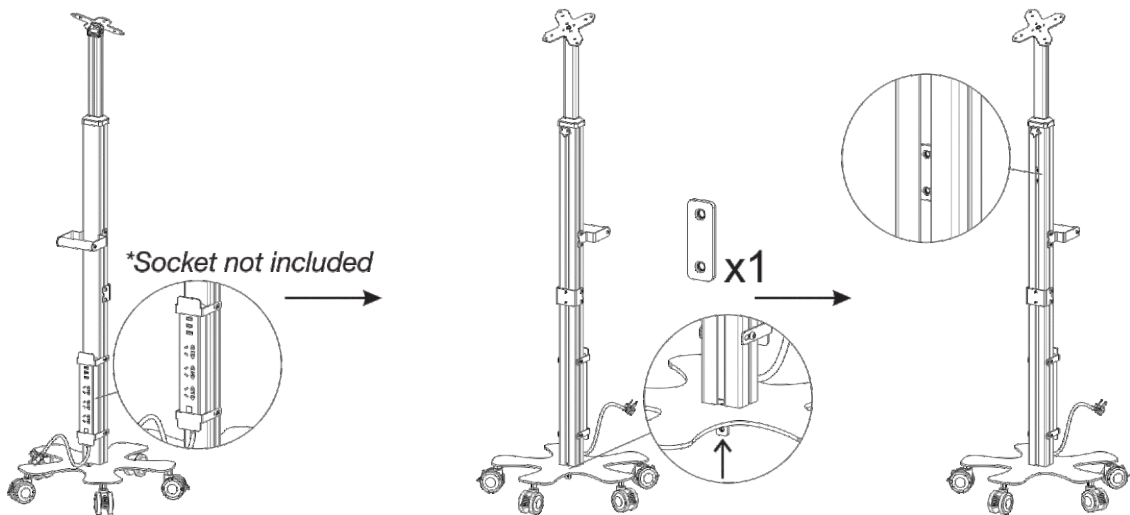
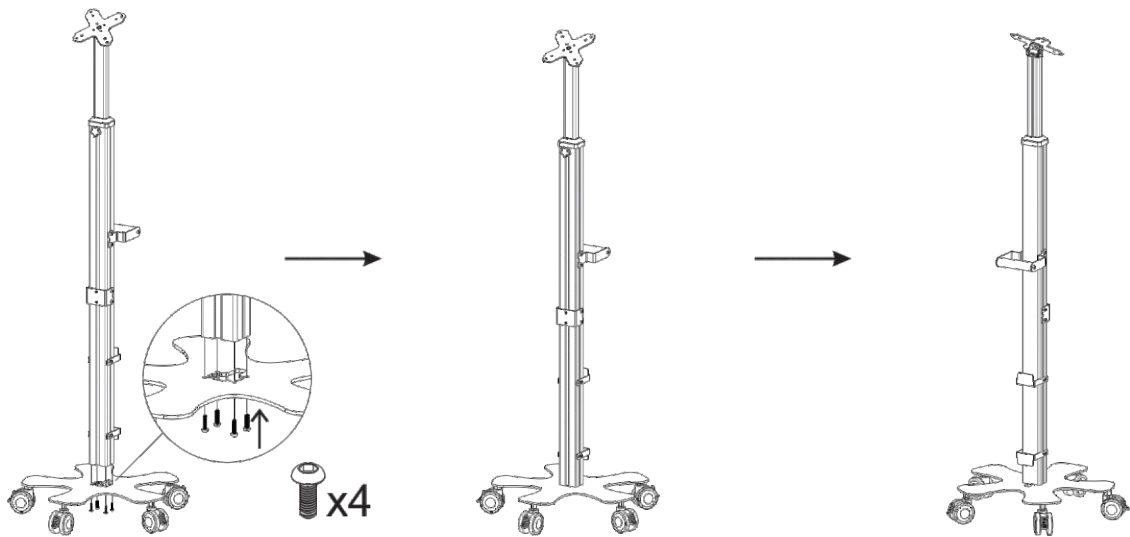
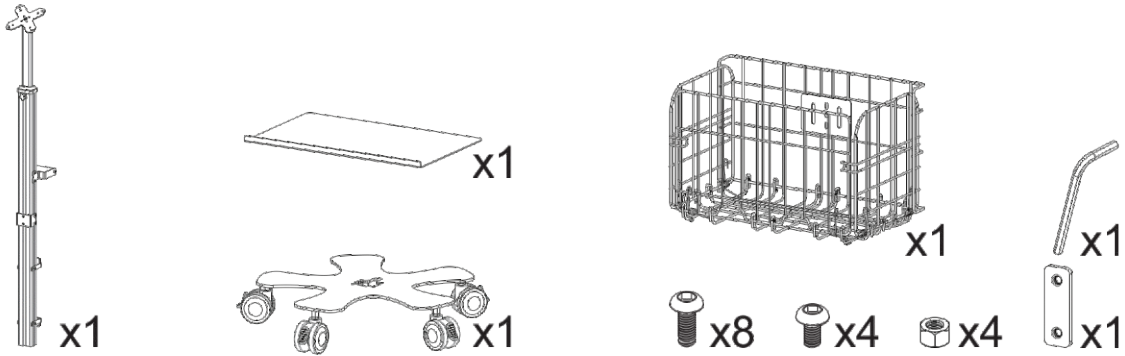
# Medical Floor Stand with VESA Plate



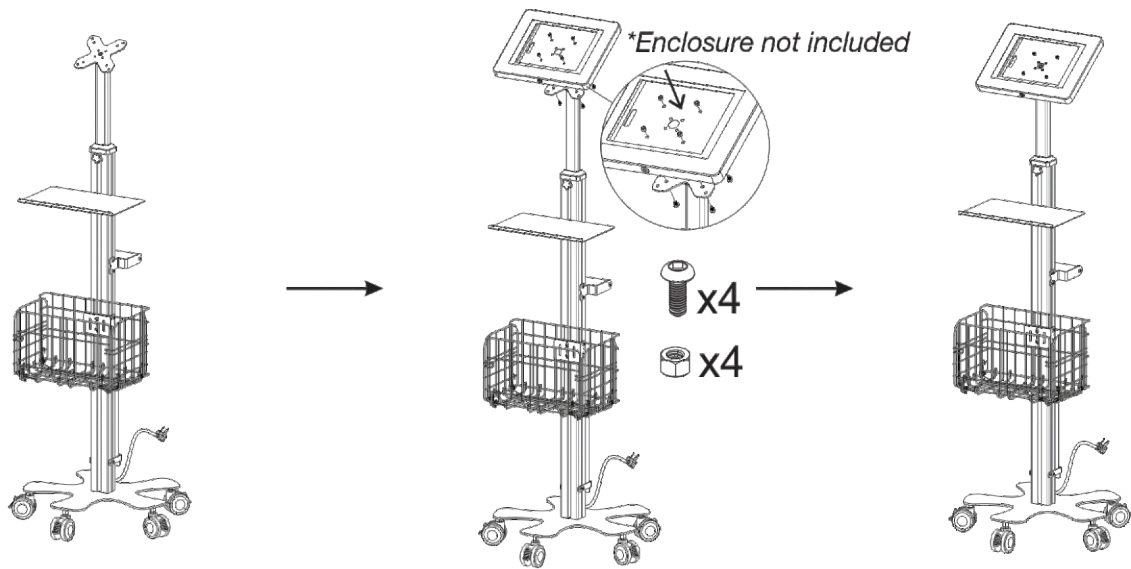
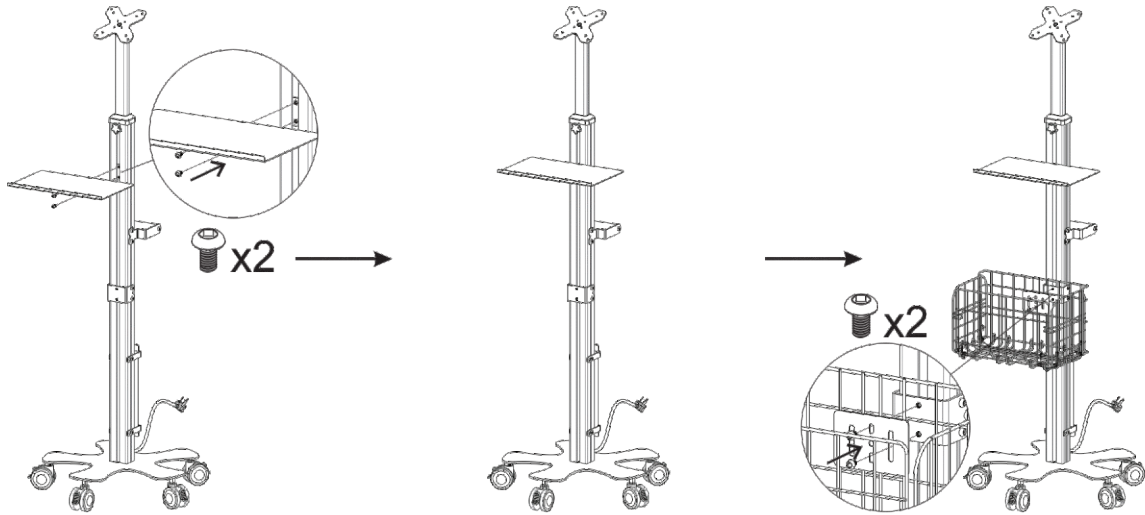
## INSTRUCTION MANUAL

### PAD-MFS

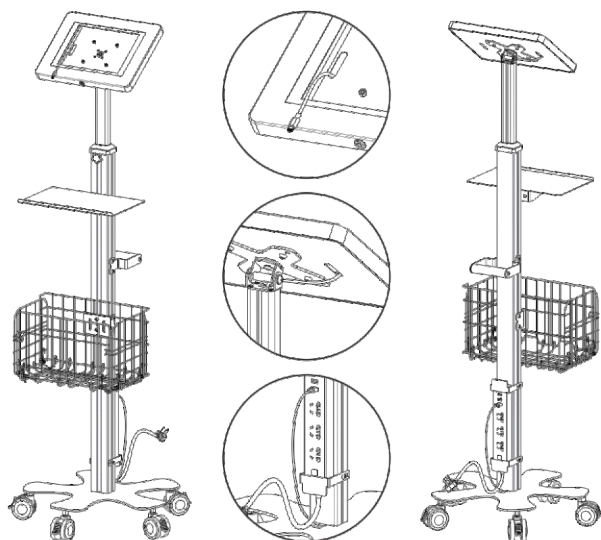
## Component Checklist



Insert this small part into the slot and slide up to the height where you want to install the keyboard holder.



### Cable Routing



### Height adjustment

