

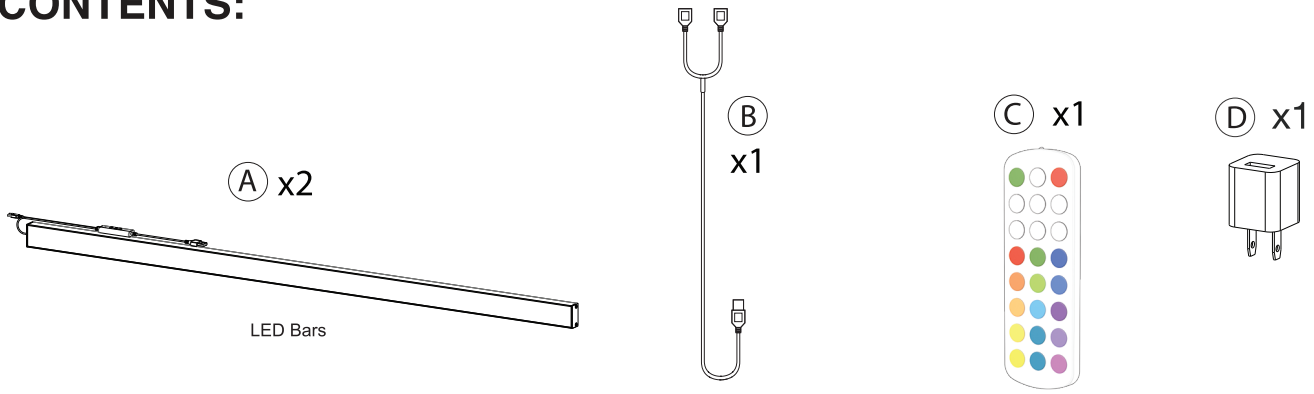


LED Light Bar Add-Ons for CTA Digital PAD-CHKB Floor Stand

ADD-LEDCHK

INSTRUCTION - MANUAL

CONTENTS:

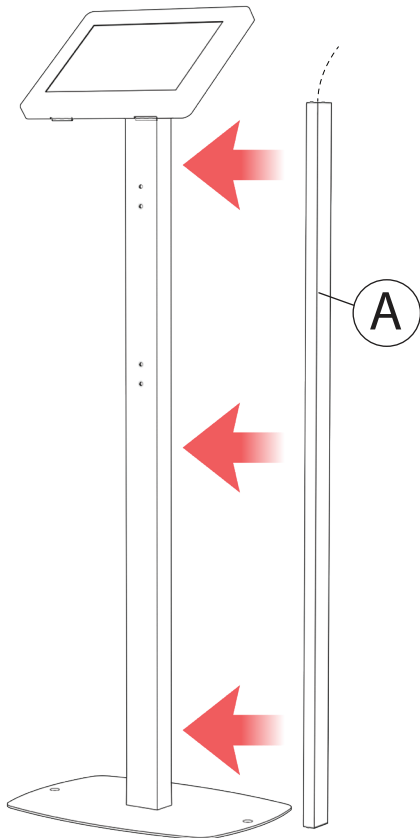


INSTALLATION:

1. Setting Up LED Bar

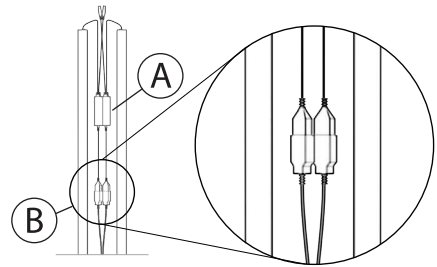
1A. Magnetically attach the LED bar on the edge of the CTA floor stand (ADD-CHKB family - not included) with the wire end on the top side. Repeat same steps for other LED on the other side of the floor stand.

FLOOR STAND FOR ILLUSTRATION PURPOSES AND NOT INCLUDED



2. Cable Routing and Cable Management

2A. Take the cables attached to the LED (A) and attach them to the bottom half power cable (B) via USB connection.



2B. Fish the wire through the body of the kiosk from the top down (see figure 1) and out the bottom towards your end source as illustrated (see figure 2). Attach the power adapter to the end (D).

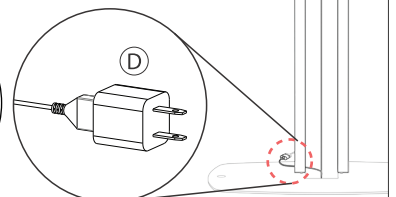
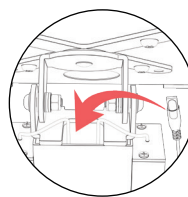


FIGURE 1

FIGURE 2

2C. Make sure to have the infrared receivers slightly pulled out at the very top. This will allow the controls connection between remote (C) and LED bar (A).

