



Sleek Floorstand with Printer Slot for Touchscreen Monitors and Other Displays

ADD-LDSLEEK

INSTRUCTION - MANUAL

CONTENTS:

(A)



x4

Socket head cap screw
M6*20

(B)



x4

Philips pan head
screw M4*8

(C)



x4

Philips pan head
screw M4*12

(D)



x4

Philips pan head
screw M5*8

(E)



x2

Hex bolt screw
M8*63.5

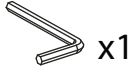
(F)



x2

Expansion pipe
M10x61

(G)



x1

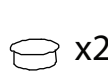
Hexagon wrench
M5(76*76)

(H)



x1

(I)



x2



x1

(K)



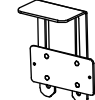
x1

(L)



x1

(M)

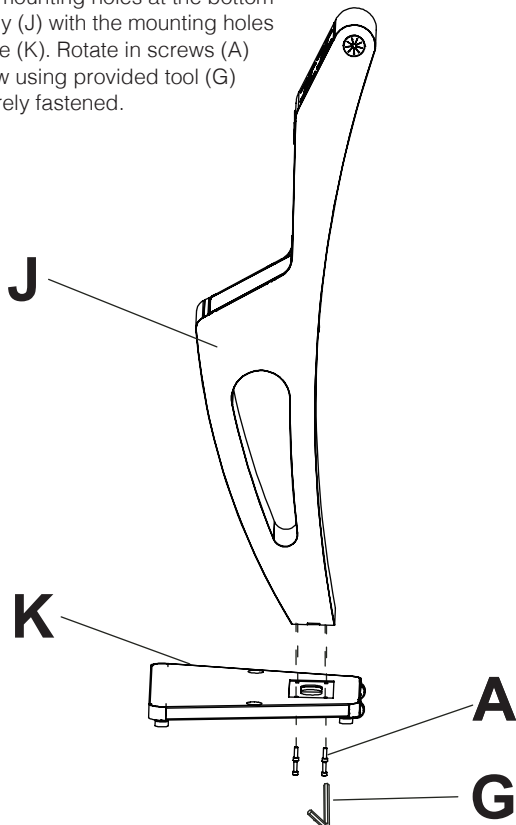


x1

INSTALLATION:

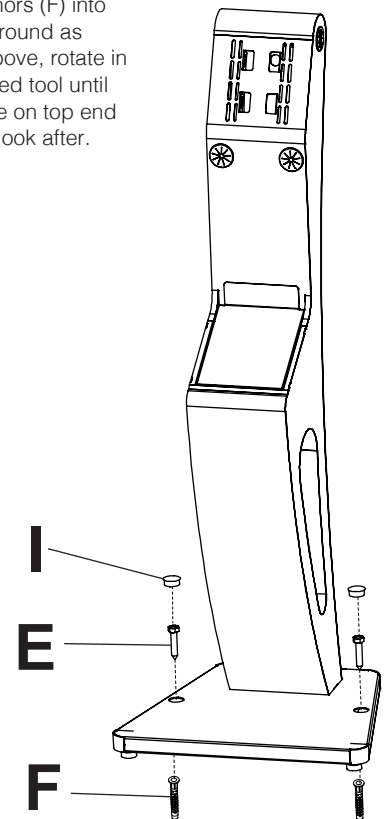
1. Assembling Base to Body

1A. Align mounting holes at the bottom of the body (J) with the mounting holes of the base (K). Rotate in screws (A) from below using provided tool (G) until securely fastened.

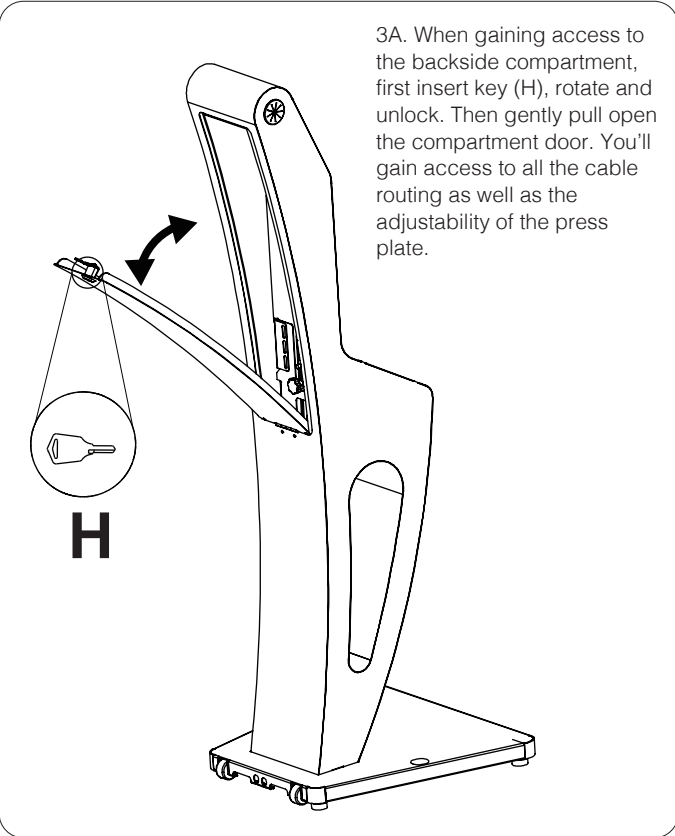


2. Mounting Option to Floor (Optional)

2A. When creating a more fixed mount solution, first insert anchors (F) into pre-drill holes into the ground as illustrated. Then from above, rotate in screws (E) using provided tool until securely fastened. Place on top end caps (I) for a seamless look after.

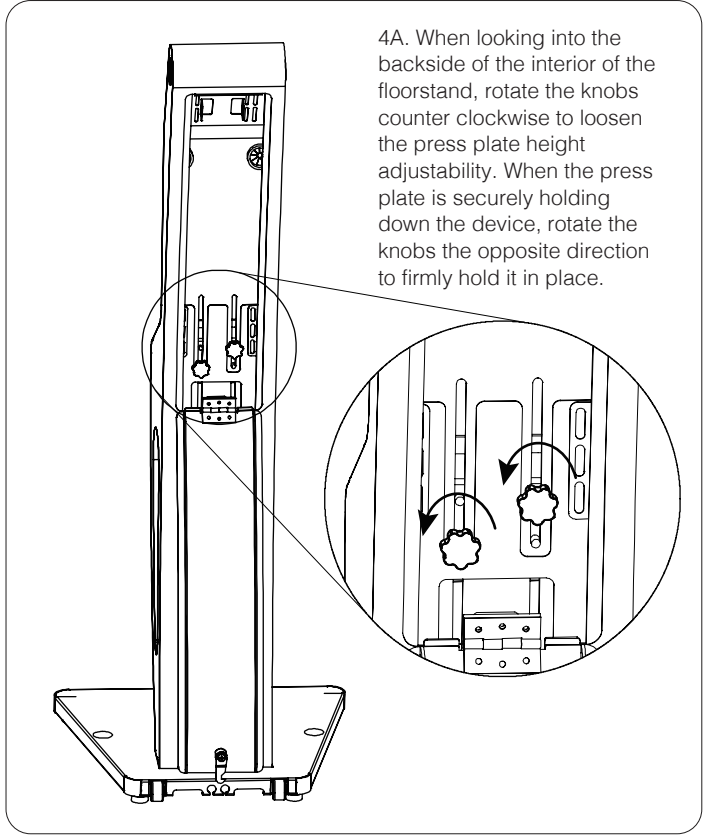


3. Access Compartment & Cable Management



3A. When gaining access to the backside compartment, first insert key (H), rotate and unlock. Then gently pull open the compartment door. You'll gain access to all the cable routing as well as the adjustability of the press plate.

4. Adjusting the Press Plate



4A. When looking into the backside of the interior of the floorstand, rotate the knobs counter clockwise to loosen the press plate height adjustability. When the press plate is securely holding down the device, rotate the knobs the opposite direction to firmly hold it in place.

5. Insert Printer Device and Using Press Plate Component

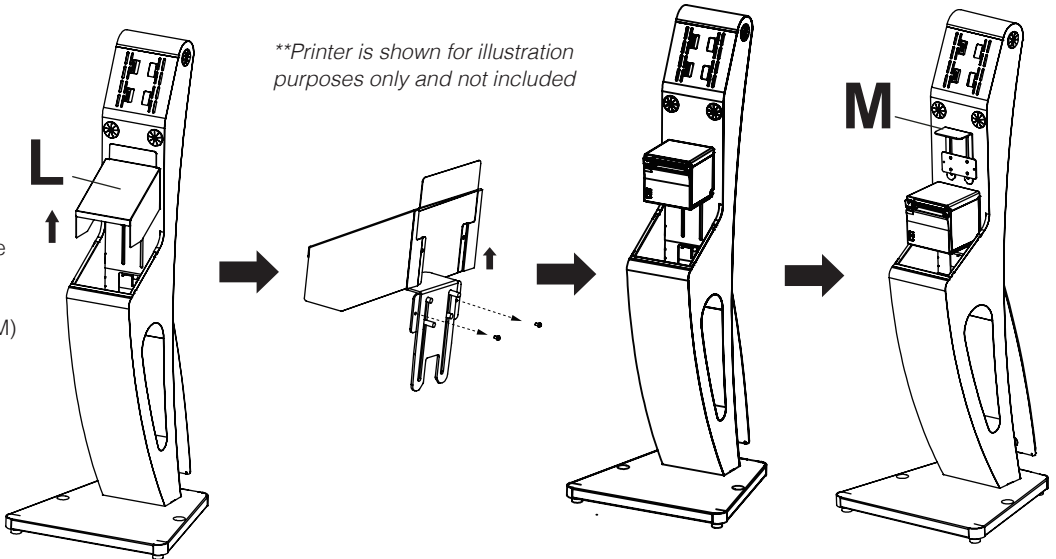
5A. First, simply lift up the printer cover (L) to remove from the printer station.

5B. Loosen the knobs of the press plate from behind.

5C. Insert device (Not included) as illustrated in the printer station area.

5D. Adjust the press plate (M) so the top component presses down on the top of the device so it's a secure hold.

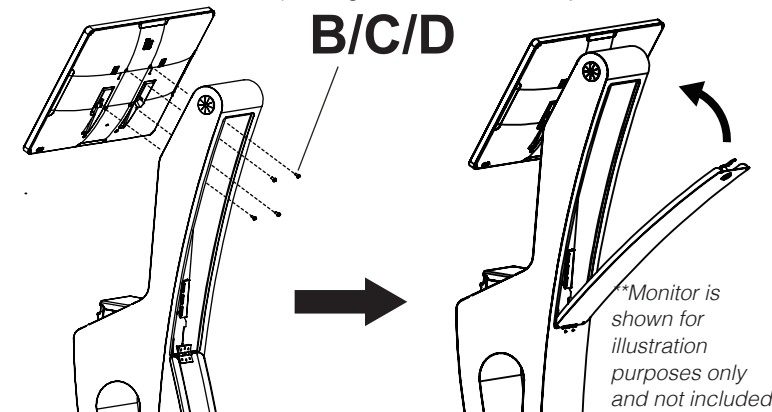
5E. Tighten knobs from behind for a secure hold.



***Printer is shown for illustration purposes only and not included*

6. Inserting VESA Compatible Device

6A. Align VESA compatible device with the VESA holes of the floor stand. Rotate in screws from behind using screwdriver (not included) until securely fastened. Test out screws B, C or D depending on which fits best for your device.



***Monitor is shown for illustration purposes only and not included*

7. Cable Routing

7A. When attaching cords and cables to your device, route them through any of the black ports pointed out below through the body and out the bottom towards your final plug in location.

