



ADD-HOOK

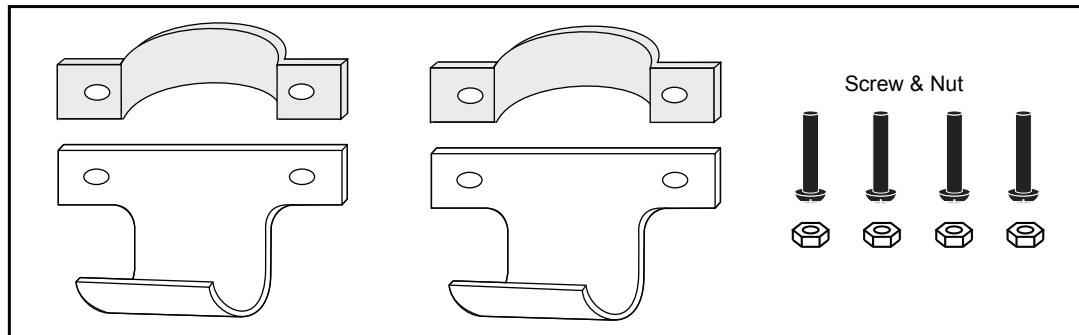
Metal Utility Hook Add-On for CTA Digital Floor Stands

INSTRUCTION MANUAL

Thank you for choosing CTA Digital's product. We hope that you will enjoy using it. Please follow the guidelines and instructions as laid out in this instruction manual.

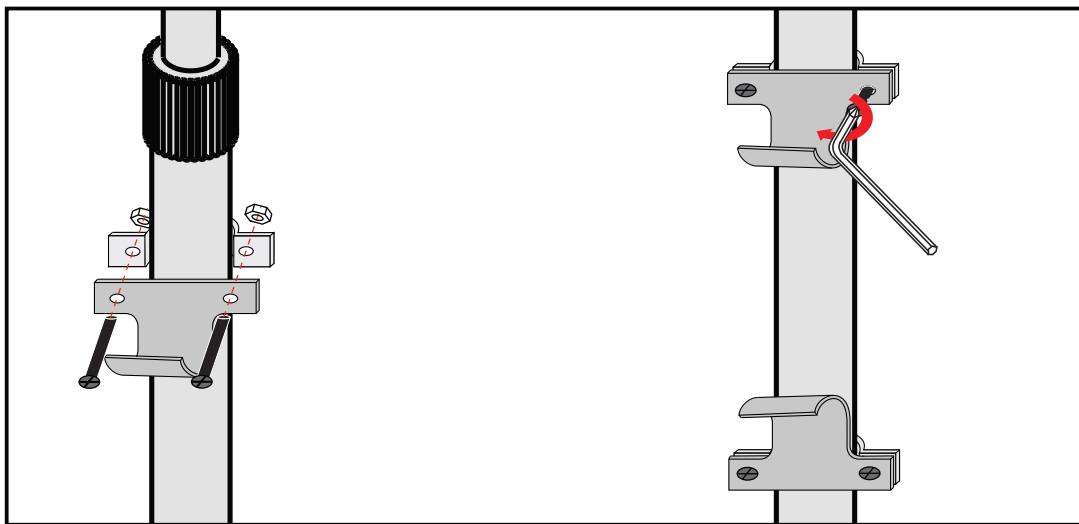
Maximum Weight Loading: 10 lbs/5.0 kgs

Package Contents:



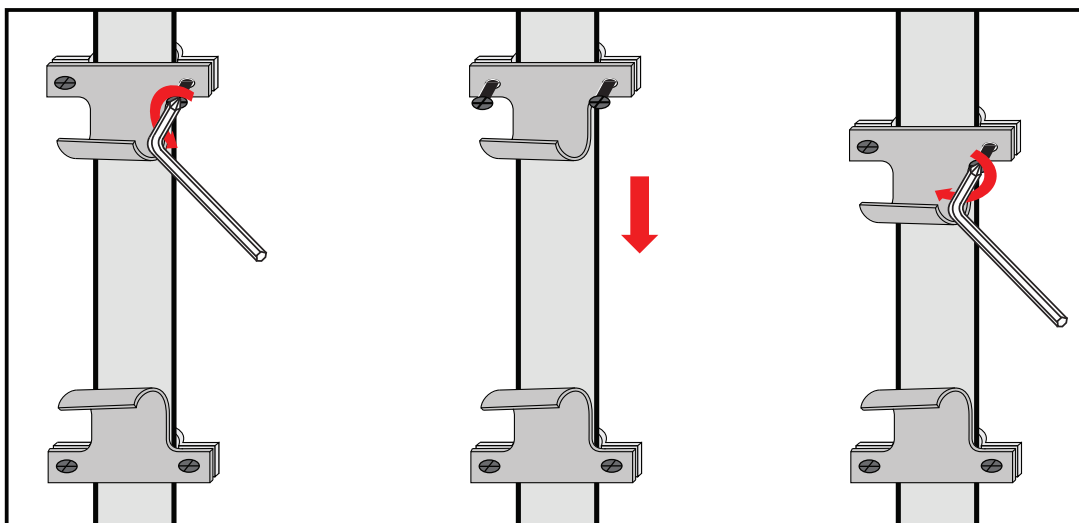
Instructions:

1. Installing the Hooks to the Floor Stand Pole



Align hook's screw holes with ring grip's screw holes on opposite sides of pole. Pass screw through holes with screwdriver and tighten nuts on opposite sides as shown in diagram. Repeat for other hook.

2. Adjusting Position



Loosen the screws with the screwdriver, adjust the height or rotate the angle of the hook according to your needs, then tighten the screws again.

