

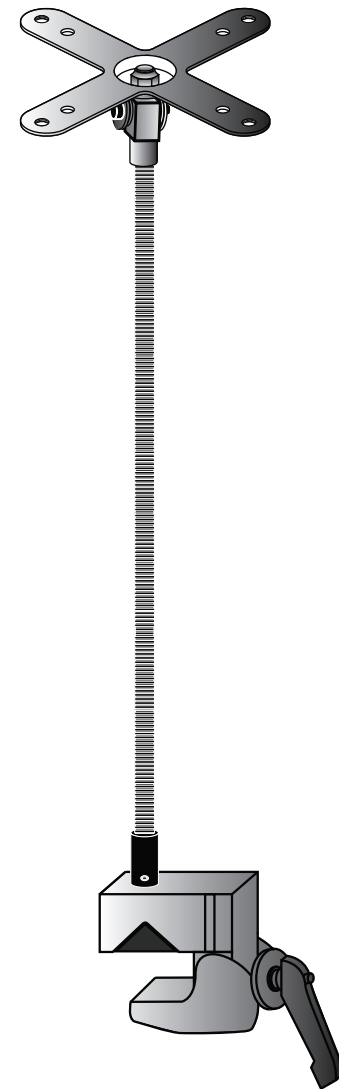


ADD-HGTS

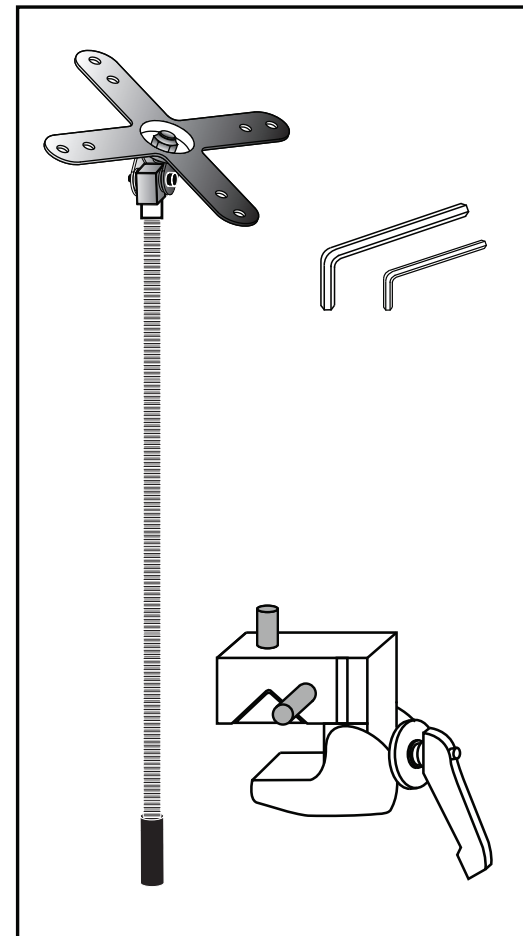
CTA DIGITAL

Heavy-Duty Security Gooseneck Clamp Stand with new VESA Plate INSTRUCTION MANUAL

Thank you for choosing CTA Digital's product. We hope that you will enjoy using it. Please follow the guidelines and instructions as laid out in this instruction manual.

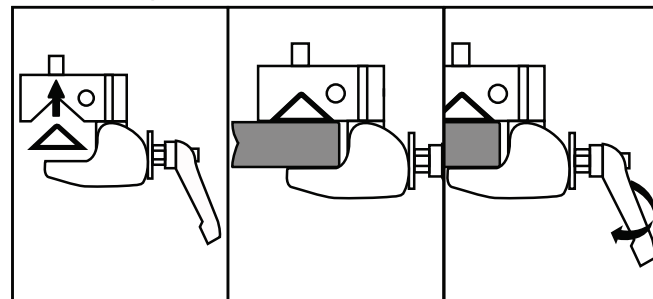


Package Contents:



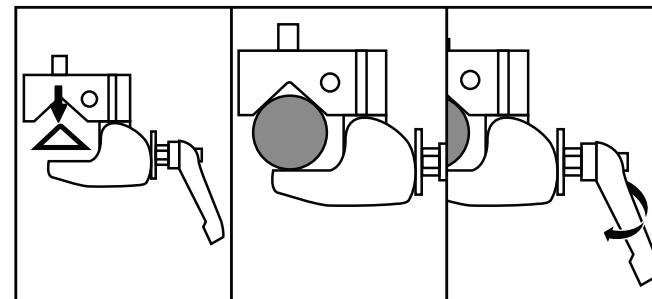
Instructions:

1. Installing the Clamp



On a Flat Surface:

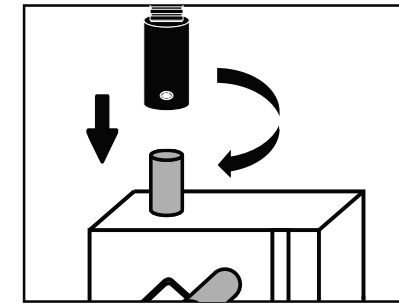
1. Place rubber grip flat insert into the clamp groove. Rotate tightening handle counter-clockwise to widen around surface ledge. Rotate clockwise to tighten until secure.



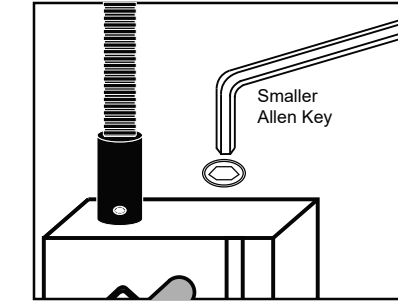
On a Tube:

2. Remove rubber grip flat insert from clamp groove. Rotate tightening handle counter-clockwise to widen around surface ledge. Rotate clockwise to tighten until secure.

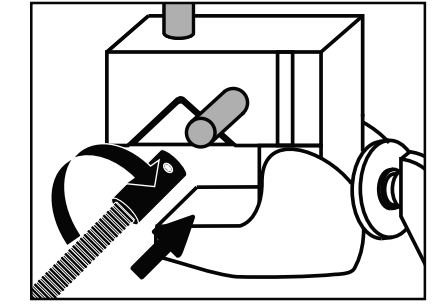
2. Connecting the Gooseneck with VESA Plate



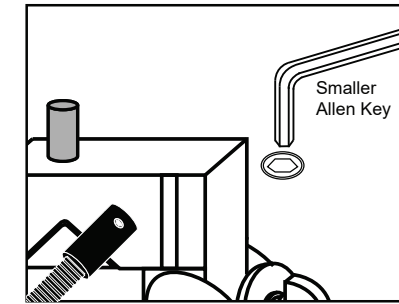
1. Screw gooseneck onto the male metal connection bolt on top of the clamp.
Note: if meter screws are already in, unscrew before attaching gooseneck.



2. Use the smaller Allen key to screw up two meter screws inside the gooseneck, tightening the connection.

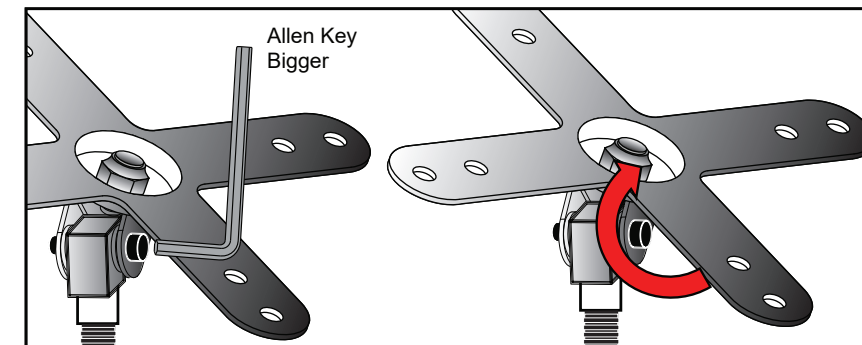


3. To use clamp aligned vertically, screw gooseneck onto the male metal connection bolt on the side of the clamp.

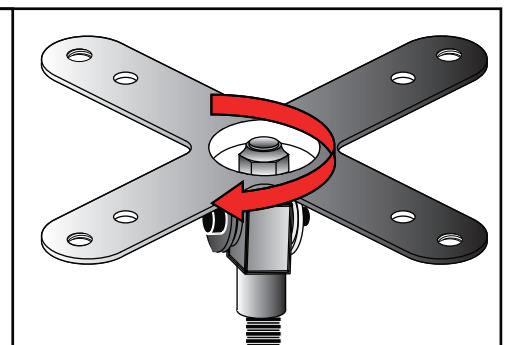


4. Use the smaller Allen key to screw the two meter screws inside the gooseneck, tightening the connection.

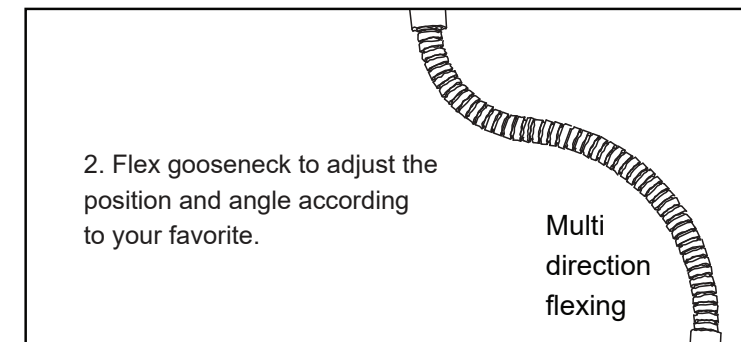
3. Adjusting



1. Use bigger Allen key to loosen the connection between the U Piece and the Gooseneck to adjust the angle in vertically then tighten the connection again .



2. Rotate the VESA plate cock-wise to adjust the angle in horizontal .



2. Flex gooseneck to adjust the position and angle according to your favorite.

Multi
direction
flexing