



**SKU:**

➤ ADD-DMHA

**HOUSING:**

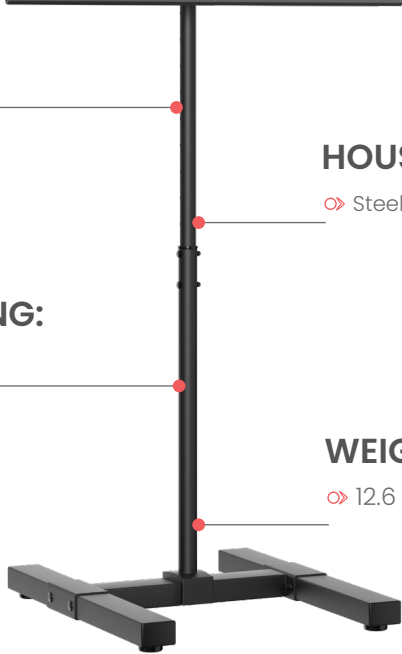
➤ Steel Body

**MOUNTING:**

➤ Floor Stand

**WEIGHT:**

➤ 12.6 Lbs

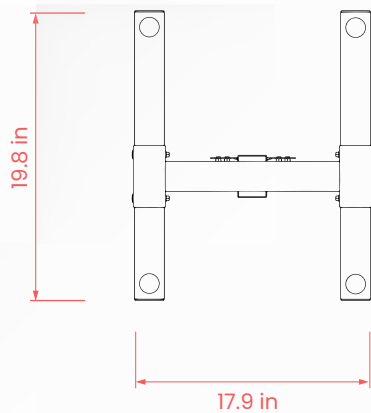
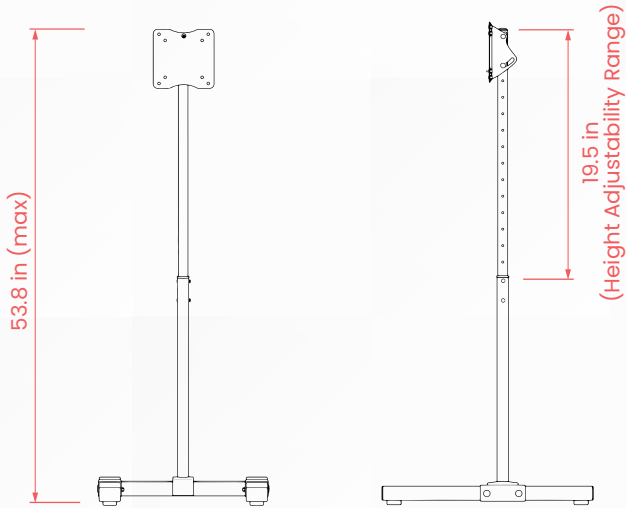


# Height Adjustable Floor Stand

## PRODUCT DATA SHEET



### DIMENSIONS:



### FEATURES:

- Height adjustable floor stand
- 30-degree tilt range at head allows for glare-free viewing
- Allows portrait and landscape display setup
- Leveling feet adapt to uneven floor surfaces
- 75 x 75, 100 x 100, 200 x 100, and 200 x 200mm VESA compatible mount
- Leveling adjustments allows the display monitor to be perfectly positioned after mounting

### COMPATIBILITY:

- 13" to 42" monitors with a max weight of 44lb



PORTRAIT & LANDSCAPE



TILT ADJUSTABLE



VESA COMPLIANT