

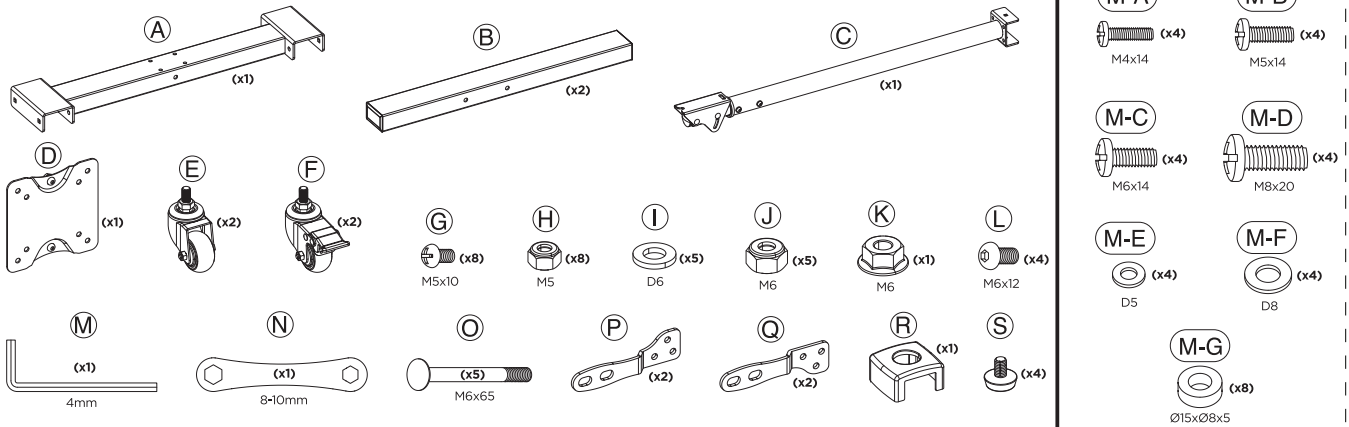


Height Adjustable Floor Stand for 13" - 42" Displays

ADD-DMHA

INSTRUCTION - MANUAL

CONTENTS:



INSTALLATION:

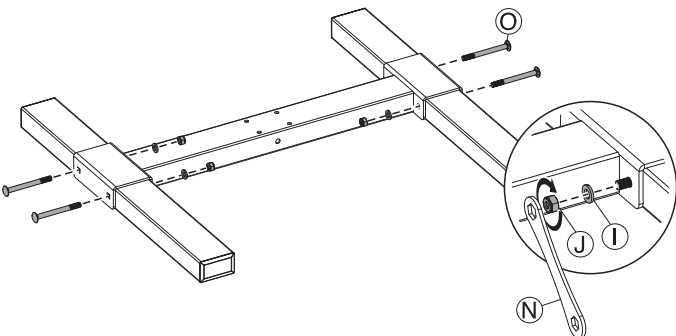
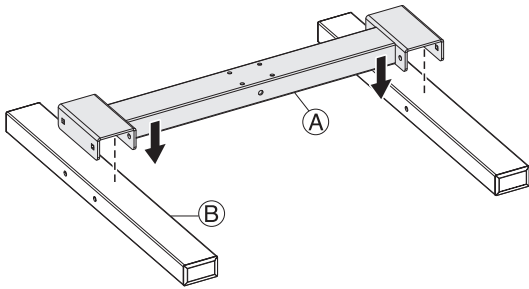
VESA Compatible
75x75 100x100
200x100 200x200

42" MAX
FLAT/CURVED

20kg
(44lbs)
RATED

1. Setting Up the Base

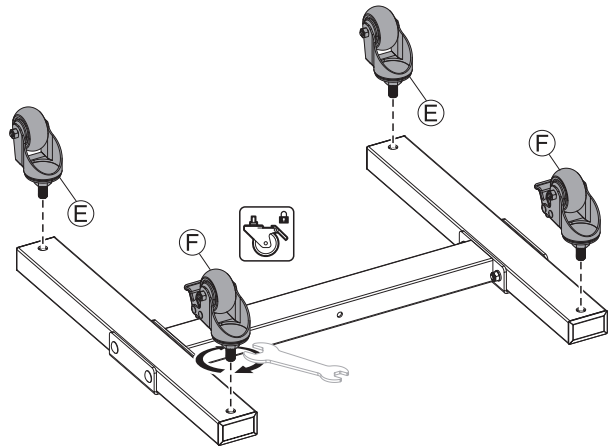
1A. Align the screw holes of the (2) base components. Base component B has 2 pieces to it, base component A has 1 piece as illustrated below.



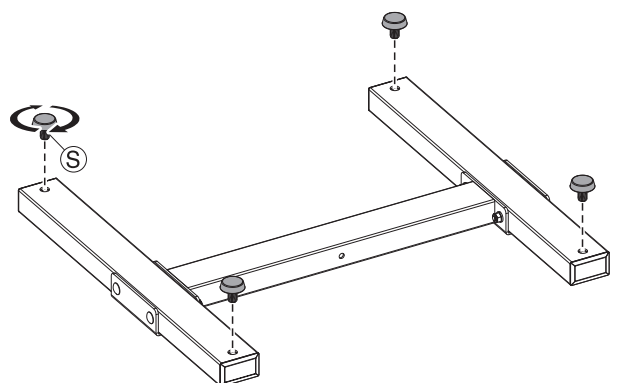
1B. Using your hand, insert in screw (O) on one end and rotate in the washer (I) with hex nut (J) on the other side with provided tool (N) until securely fastened.

2. Setting Up Base w/ Wheels or Curved

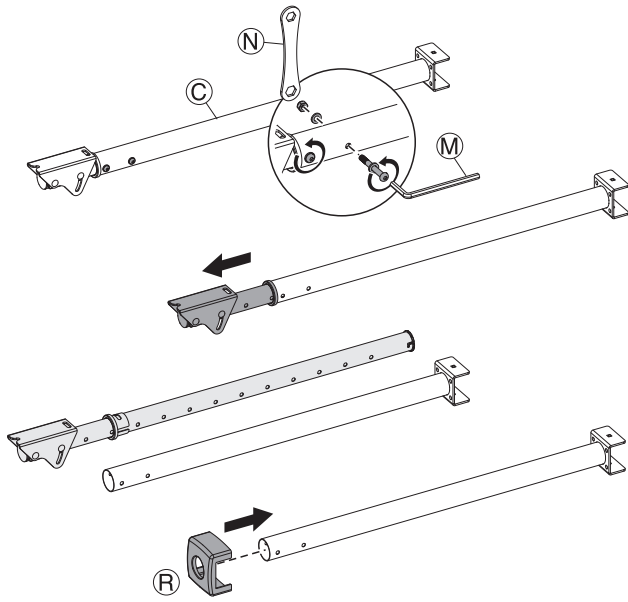
2A. For a mobile setup, first align the casters to the bottom holes of the base as illustrated. Casters E on the long end and Casters F on the short length side. Using a small wrench tool, rotate in until securely fastened.



2B. For a static setup, use component (S) and rotate into the four holes as illustrated below until securely fastened.

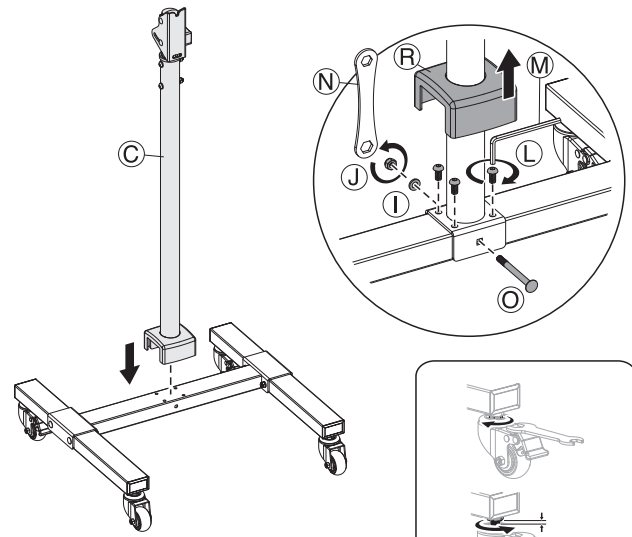


3. Assmebling Pole Body & Height Adjustments



3A. Take the pole body (C) and remove the locking screw, washer and hex nut with provided tool (M) as illustrated above. Completely pull out the inner pole. Take metal canopy cover (R) and slide over the exterior part of the pole. Repeat steps backwards. Insert the inner pole and align the holes to the height desired. Rotate back in the screw with the hex nut and washer using provided tool (M) and (N) as illustrated. Repeat steps whenever adjusting height of pole body.

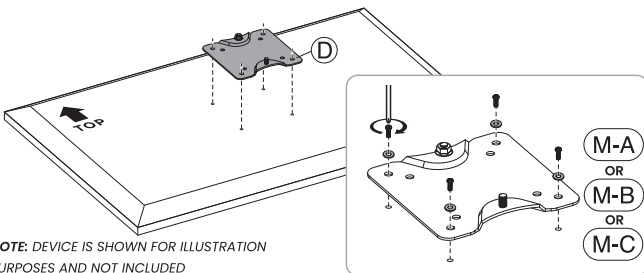
4. Combining the Base & Pole Body



4A. Take the pole body (C) and slide up the metal canopy cover slightly (R). This will visually allow you to be able to align the holes of the bottom of the pole body to the central holes of the base. Using provided tools (M), rotate in all screws (L) until securely fastened. Take screw (O) and washer and hex nut (I & J), rotate in hex nut with washer using provided tool (N) until securely fastened. Look to callout at the right if wheels are not level to ground.

NOTE: If the caster can't touch the ground, loosen the lower nut as illustrated above and adjust the caster to the proper position. After, tighten the upper nut until securely fastened.

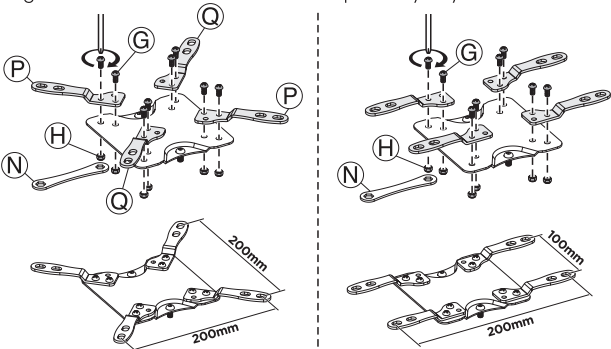
5. Setting up VESA Plate and Device



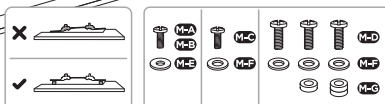
NOTE: DEVICE IS SHOWN FOR ILLUSTRATION PURPOSES AND NOT INCLUDED

5A. **IF DEVICE FITS WITH VESA PLATE :** Align holes and then rotate in screws from behind with screwdriver (not provided) until securely fastened. From the selection of provided screws (M-A, M-B or M-C), find the one with the right size for your devie.

5B. **IF DEVICE DOES NOT FIT WITH VESA PLATE :** Attach the vesa plate arms (P) and (Q) and rotate in screws with hex nut from behind using screwdriver (not included) and provided tool (N). Setup one of two configurations shown below to the compatibility of your VESA holes.



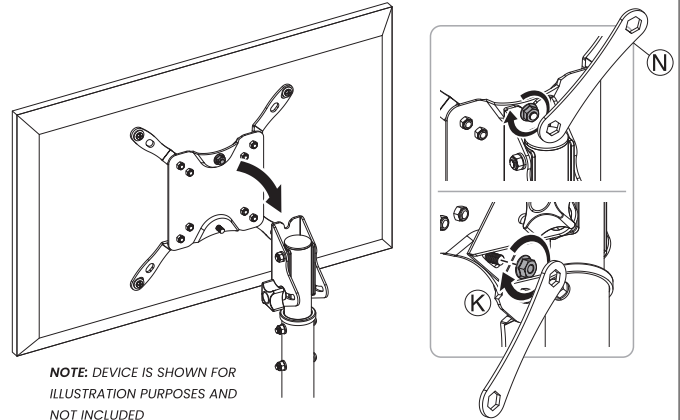
NOTE: DEVICE IS SHOWN FOR ILLUSTRATION PURPOSES AND NOT INCLUDED



5C. Find the proper screws for the VESA holes as illustrated in the chart and rotate the in using screwdriver (not included). Make sure your device is parallel to the mounted surface and not tilted for an optimal setup. Also make sure your VESA plate install is the right side up.

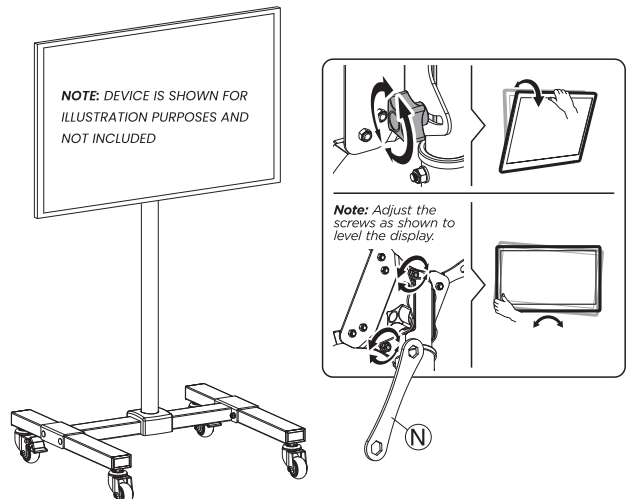
6. Assembling VESA & Device with Floor Stand

6A. Take the now attached VESA plate and device and attach to the top of the floor stand body as illustrated. Hook the top hex nut to the groove in the metal joint. Using provided tool (N), tighten the hex nut as illustrated at the top and attach another hex nut (K) at the bottom.



NOTE: DEVICE IS SHOWN FOR ILLUSTRATION PURPOSES AND NOT INCLUDED

6B. Rotate the knob at the back as illustrated to loosen and tighten for tilt adjustability. Use provided tool (N) to loosen the hex nuts on the VESA plate to adjust the orientation and levels of the device.



NOTE: DEVICE IS SHOWN FOR ILLUSTRATION PURPOSES AND NOT INCLUDED

Note: Adjust the screws as shown to level the display.