

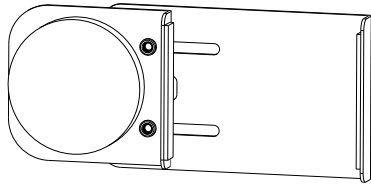


# Universal Card Reader Holder

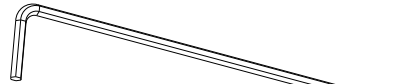
## INSTRUCTION MANUAL

### ADD-CRH

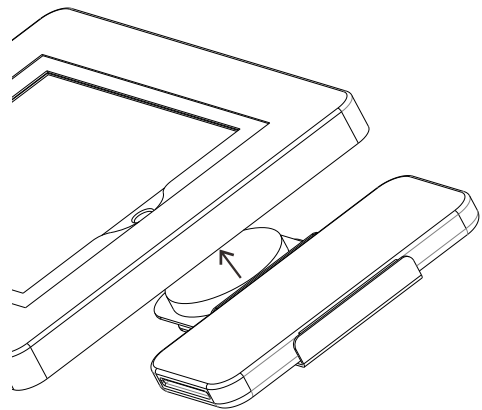
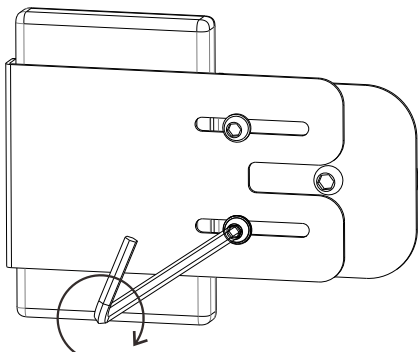
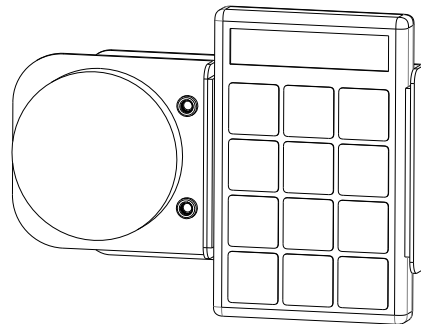
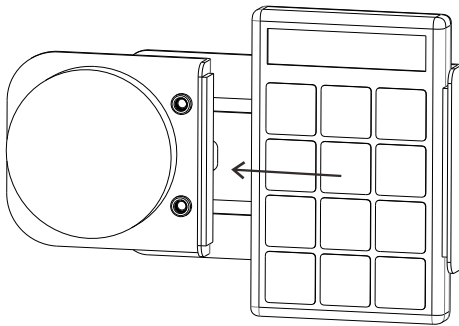
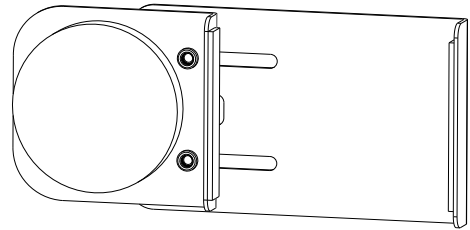
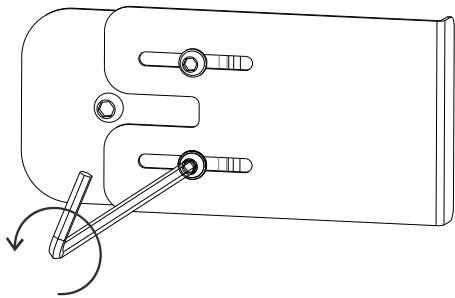
#### Component Checklist



x1



x1



\*Magnetic snap on enclosure