

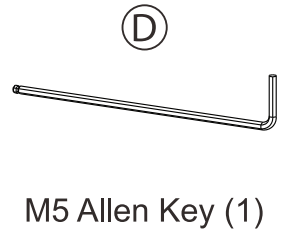
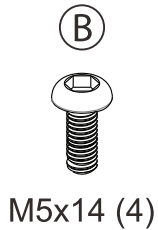
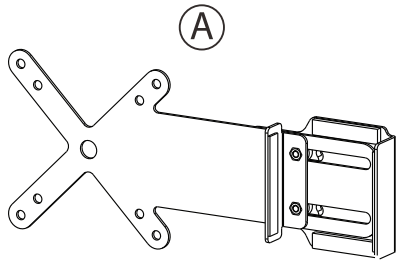


Adjustable Card Reader Holder w/ VESA Plate (Black)

ADD-CRHVESAB

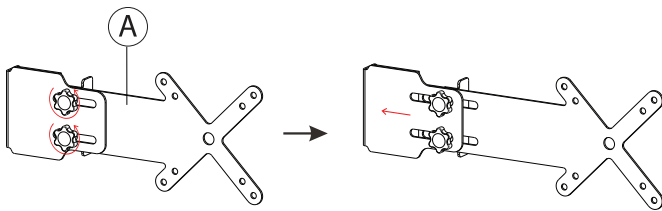
INSTRUCTION - MANUAL

CONTENTS:



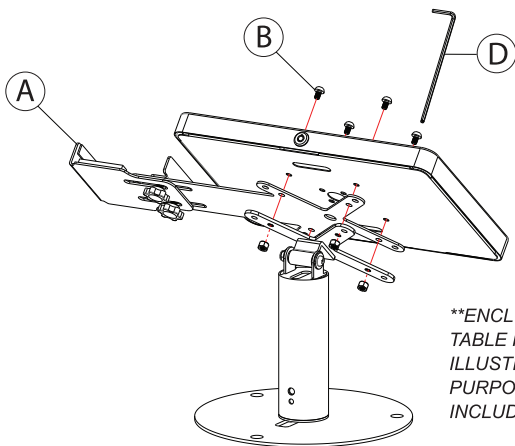
INSTALLATION:

1. Card Reader Holder Adjustability



1A. Located knobs on the backside of Card Reader Holder. Rotate to loosen to allow for adjustability. When loosened, test adjustability by sliding left and right of the holder.

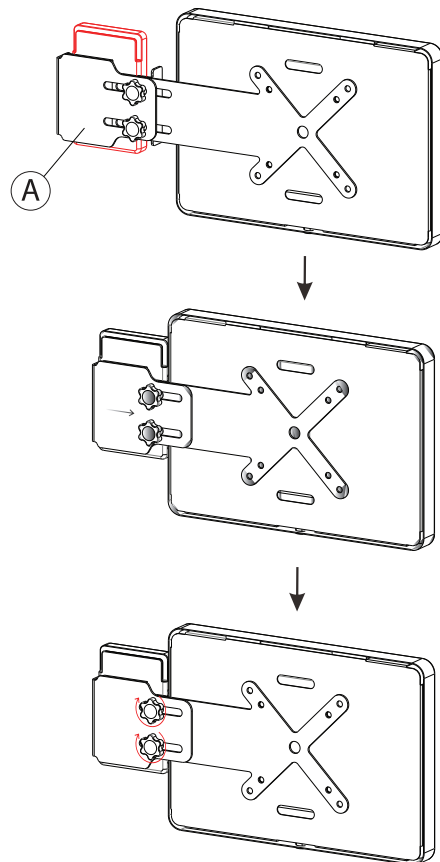
2. Setting up Card Reader Holder



**ENCLOSURE AND TABLE KIOSK FOR ILLUSTRATION PURPOSES AND NOT INCLUDED

2A. To setup, align VESA holes of a compatible CTA Digital enclosure and base mount or any other similar compatible items - with the Card Reader Holder VESA holes. Rotate in screws (B) from above using provided tool (D) while holding hex nuts (C) from behind using your hands as illustrated. Rotate until securely fastened.

3. Completing Setup



**ENCLOSURE AND CARD READER FOR ILLUSTRATION PURPOSES AND NOT INCLUDED

3A. Slide the loosened card reader holder to fit the card reader device. Once you have a tight and secure fit, rotate the knobs on the back until securely tightened. Your setup is now complete.