

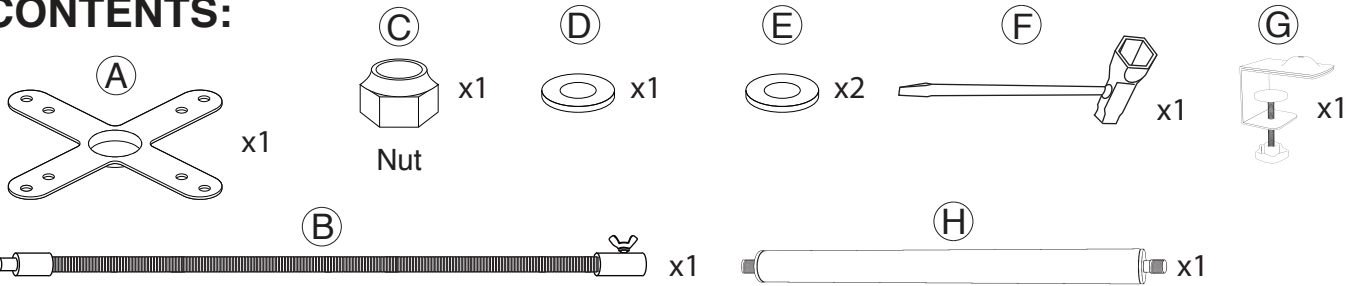


# Extended Pole C-Clamp VESA Mount with Flexible Gooseneck

ADD-CPOLEGN

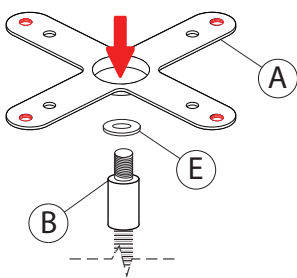
INSTRUCTION - MANUAL

## CONTENTS:

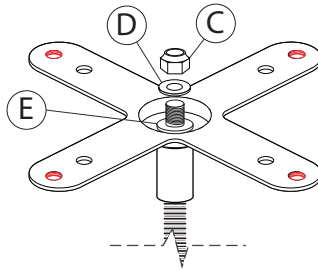


## INSTALLATION:

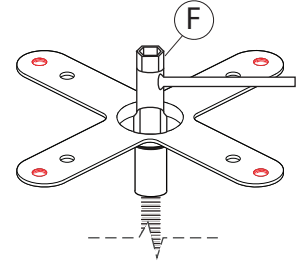
### 1. Connecting VESA plate to the gooseneck :



1A. Place a plastic washer (E) in between the gooseneck adapter (B) and gooseneck. Align and assemble.

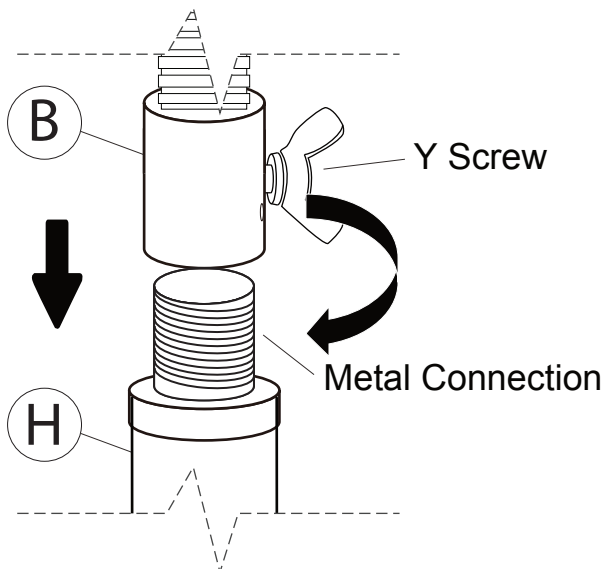


1B. Place a plastic washer (E) followed by a metal washer (D) over the gooseneck end adapter, and rotate in screw nut (C) with fingers initially.

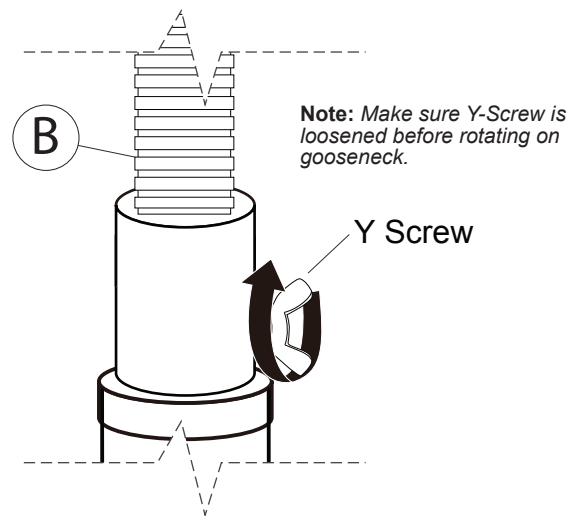


1C. Use the socket wrench (F) to tighten it securely.

### 2. Connecting VESA gooseneck with pole :

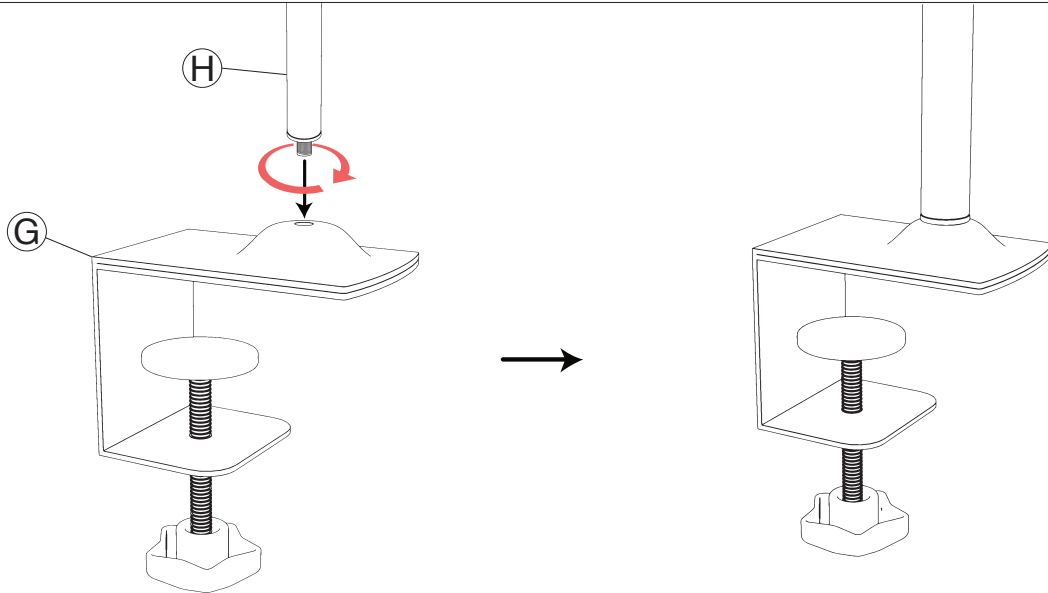


2A. Screw on the gooseneck (B) onto the base body pole (H) by turning clockwise. Shown above.



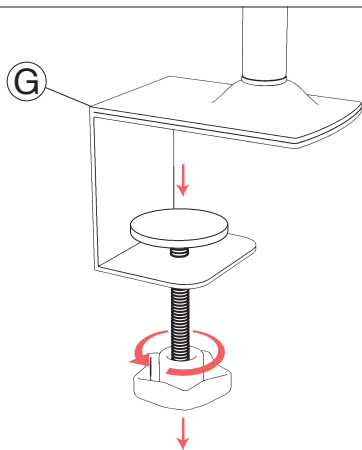
2B. Rotate Y-Screw to tighten gooseneck to pole. Shown above.

### 3. Installing C-Clamp to Pole :

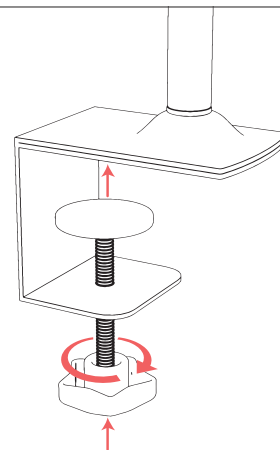


3A. Align C-Clamp hole (G) at the connection piece of pole (H) and turn it in until secured. As shown above.

### 4. Adjusting C-Clamp :

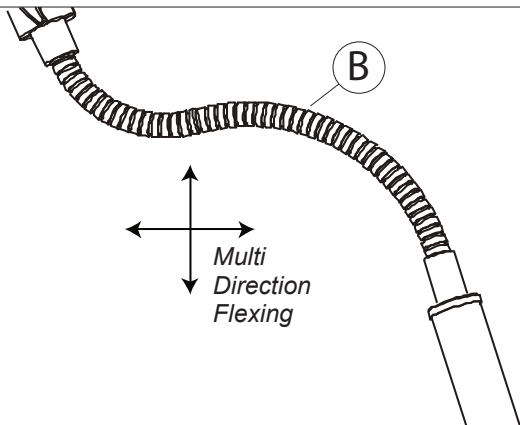


4A. Rotate knob counter-clockwise to loosen the clamp for a thicker clamped installation. As shown above.

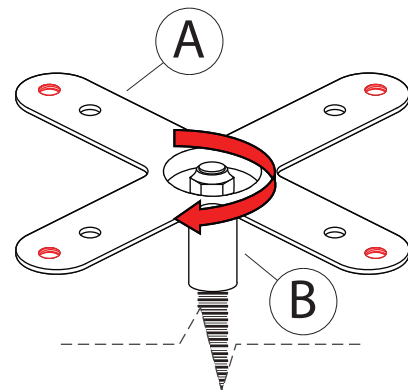


4B. Rotate knob clockwise to tighten the clamp for a thinner clamped installation. As shown above.

### 5. Adjusting gooseneck and Rotation :



5A. Flex the Gooseneck (B) with your hands to your preferred setup.



5B. Rotate the VESA Plate (A) clockwise to adjust orientation.