



ADD-BASK

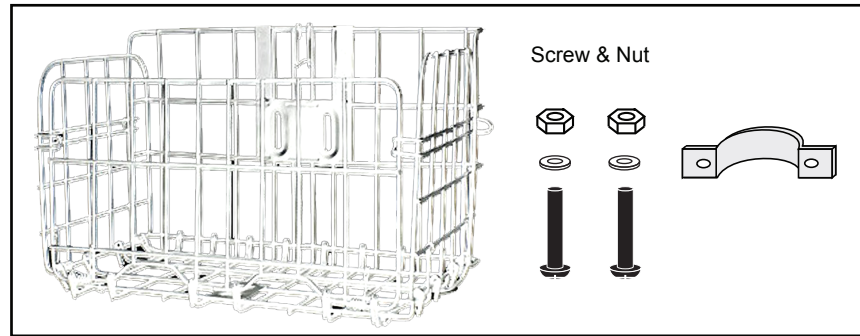
Metal Basket Add-On for CTA Digital Floor Stands

INSTRUCTION MANUAL

Thank you for choosing CTA Digital's product. We hope that you will enjoy using it.
Please follow the guidelines and instructions as laid out in this instruction manual.

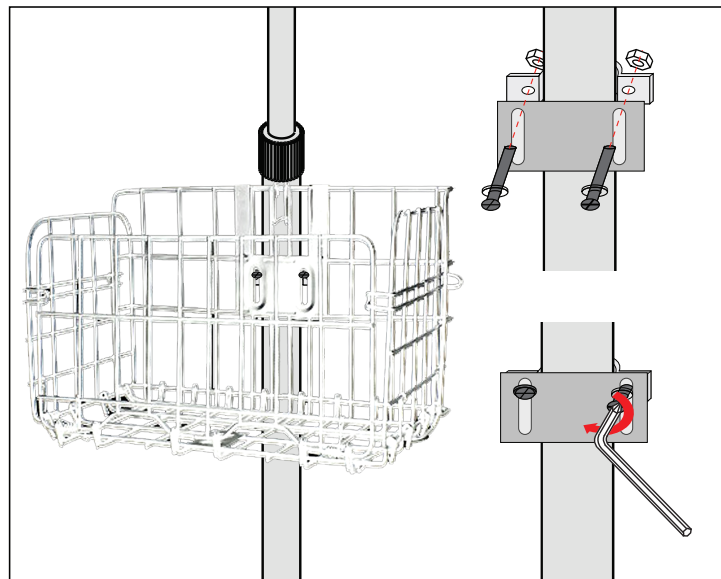
Maximum Weight Loading: 20 lbs/10.0 kgs

Package Contents:



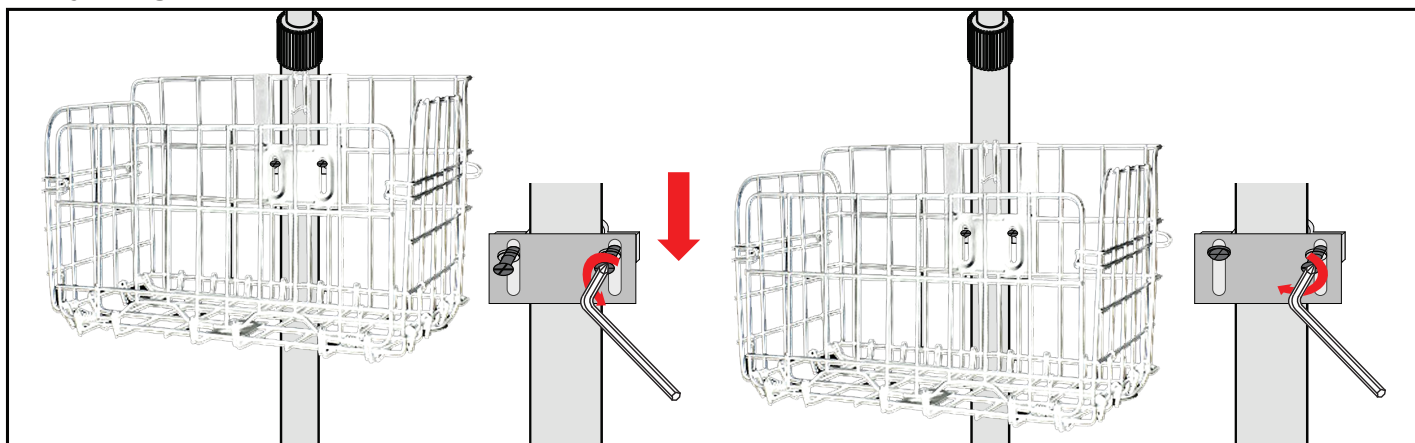
Instructions:

1. Installing the Basket to the Floor Stand Pole



Align grip ring screw holes with basket screw holes on either side of the central pole. Pass screw through washer, then through screw hole, and attach nut on opposite side. Use Philips Screwdriver to tighten. Repeat for other screw.

2. Adjusting the Basket



Loosen the screws with the screwdriver, adjust the height of the basket, then tighten screws again.

SUPPORT@CTADIGITAL.COM