

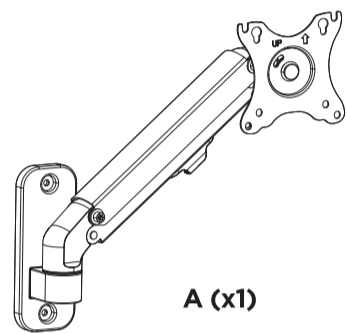


Adjustable VESA Wall Mount (Black) ADD-AVWMB

INSTRUCTION MANUAL

Thank you for choosing CTA Digital's product. We hope that you will enjoy using it. Please follow the guidelines and instructions as laid out in this instruction manual.

Package Contents:



A (x1)



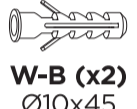
B (x2)



C (x1)
5mm



W-A (x2)
ST6.3x55



W-B (x2)
Ø10x45



W-C (x2)
D6



M-A (x4)
M4x12



M-B (x4)
M5x12



M-C (x4)
D5

Tools Needed (Not Included):



Instructions:

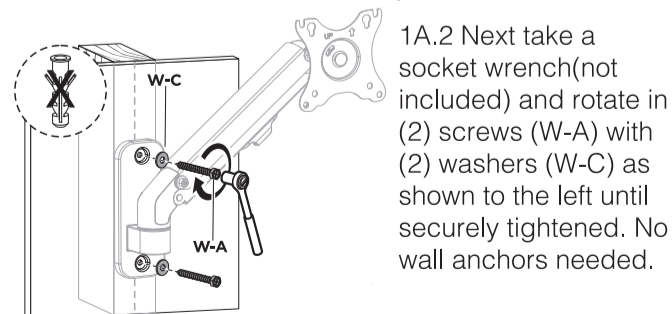
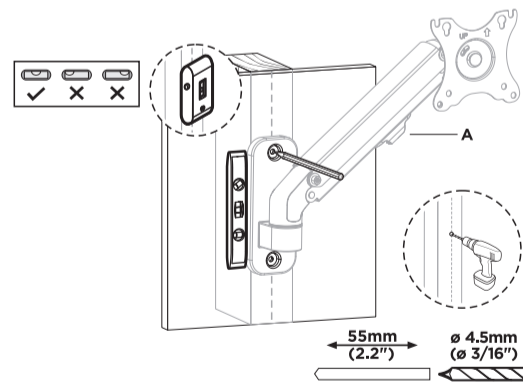
VESA Compatible
75x75 100x100

27"
MAX
FLAT/CURVED

2-7kg
(4.4-15.4lbs)
RATED

1A Wall Mounting to a Stud

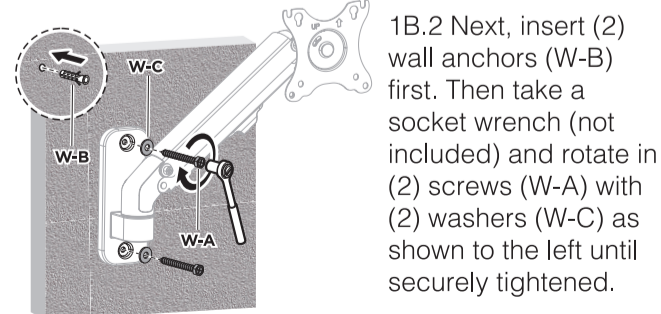
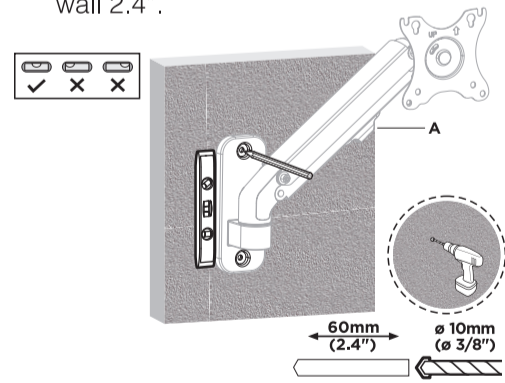
1A.1 First locate stud behind wall with tools illustrated. (tools not provided) Using a pencil (not included), draw two dots as illustrated through the mounting canopy of the VESA mount (A). Make sure to use a level (not provided). Use a drill bit with a 3/16" diameter and drill into the stud 2.2".



1A.2 Next take a socket wrench (not included) and rotate in (2) screws (W-A) with (2) washers (W-C) as shown to the left until securely tightened. No wall anchors needed.

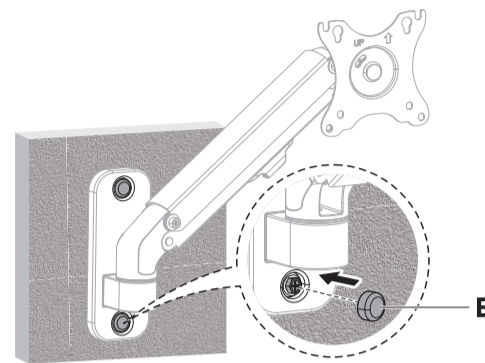
1B Wall Mounting to a Hard Surface

1B.1 Identify where you would like to setup wallmount. Place the wall mount on the wall. Using a pencil (not included), draw two dots as illustrated through the mounting canopy of the VESA mount (A). Make sure to use a level (not provided). Use a drill bit with a 3/8" diameter and drill into the wall 2.4".

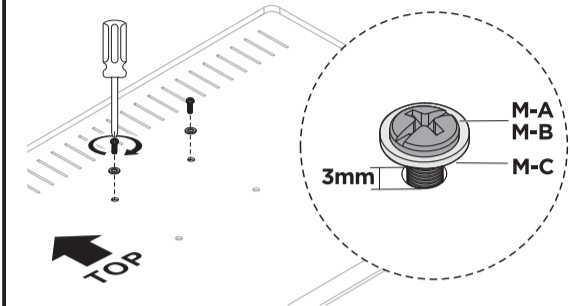


1B.2 Next, insert (2) wall anchors (W-B) first. Then take a socket wrench (not included) and rotate in (2) screws (W-A) with (2) washers (W-C) as shown to the left until securely tightened.

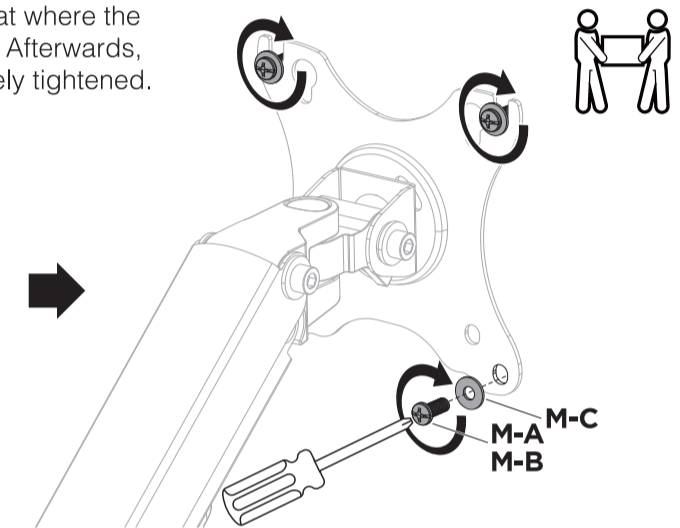
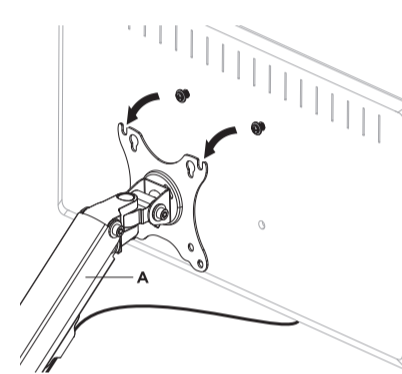
2 2.1 After screws are securely setup. Place endcap (B) on top for a seamless and tidy look.



3 3.1 Take a screwdriver (not included), rotate on screw (M-A) OR (M-B) depending on your TV screw hole size. Also include washer (M-C). Screw on only halfway with some excess sticking out initially. See step 4 for next part.



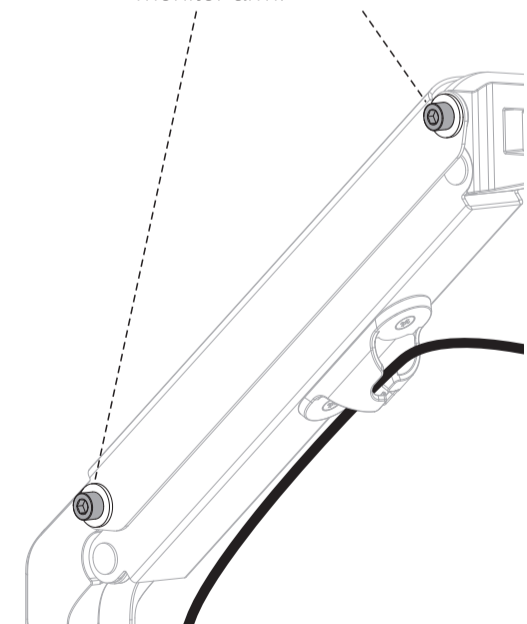
4 4.1 After, take the wall mount arm (A) and insert at where the U-shaped gaps are into the excess of the screw. Afterwards, tighten with screwdriver as illustrated until securely tightened.



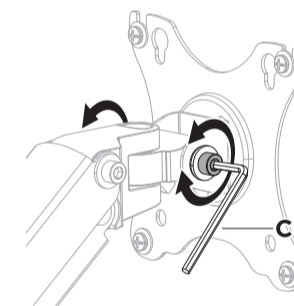
5 Arm Joints Disclaimer



CAUTION: It is the preset spring tension that holds the internal structure. Please don't loosen the spring tension adjustment screws on the upper arm. Any adjustment will cause irreversible damages to the monitor arm.

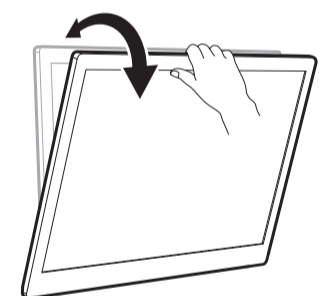


6 Adjusting VESA joint



NOTE: Adjust to the desired angle then tighten the screws using the tool (C) as shown.

7 Adjusting Tilt Angle



Using your hand, gently tilt up or down to get the preferred viewing angle.

8 Adjusting Orientation

Using your hand, gently rotate to get the preferred portrait or landscape setup desired.

