

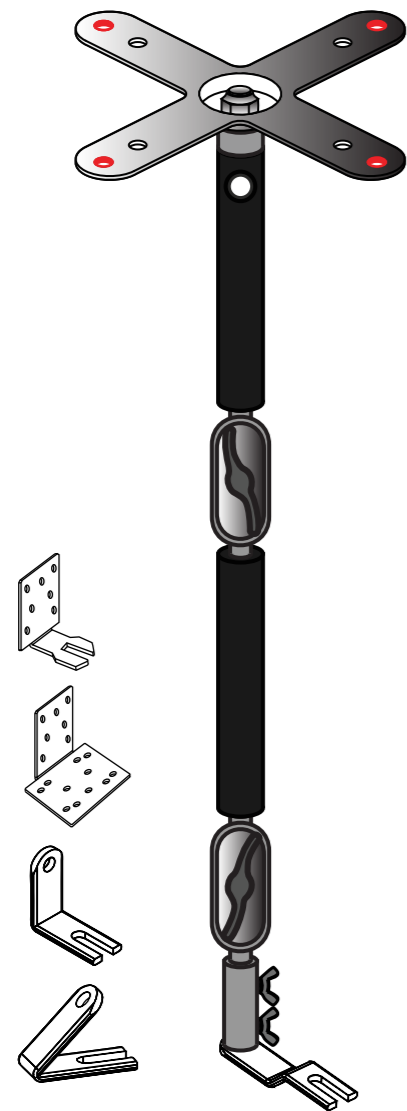


ADD-AUTSAM

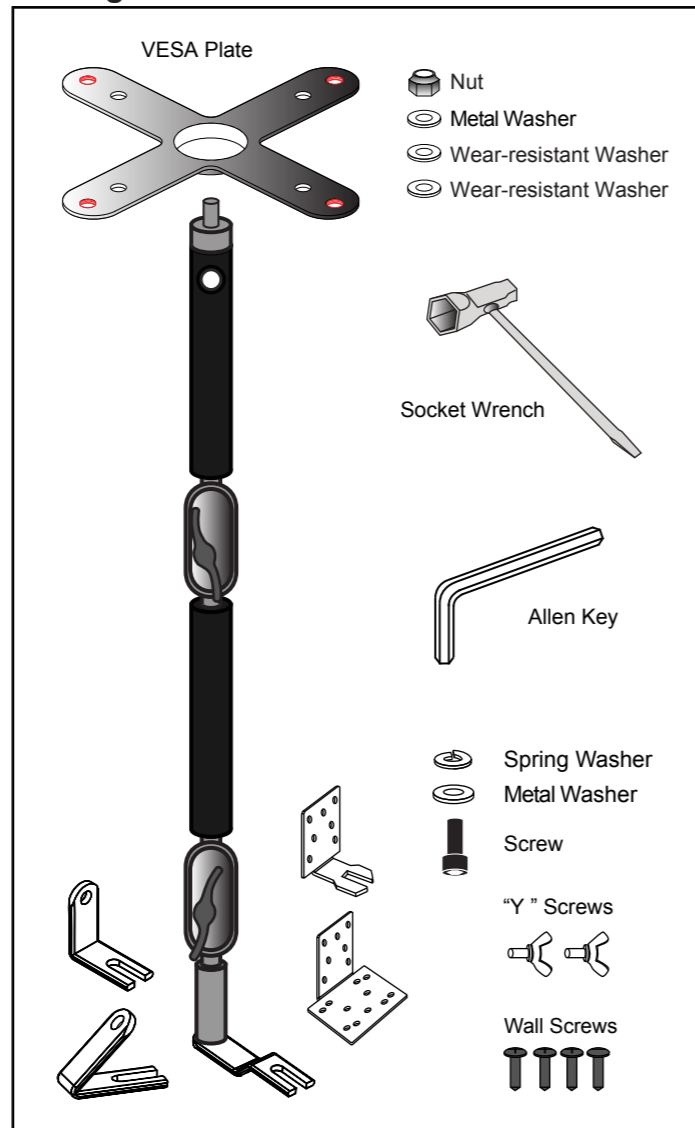
AMPS Mounting Base for Vehicles w/ VESA Plate

INSTRUCTION MANUAL

Thank you for choosing CTA Digital's product. We hope that you will enjoy using it. Please follow the guidelines and instructions as laid out in this instruction manual.

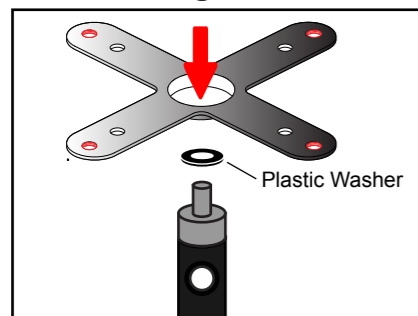


Package Contents:

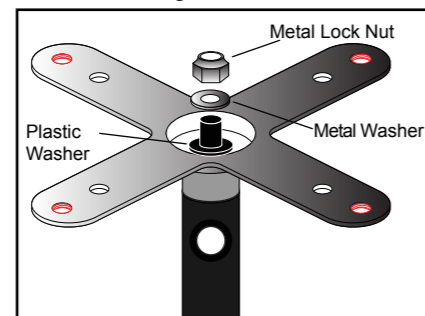


Instructions:

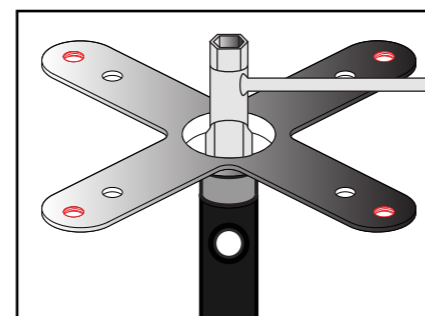
1. Connecting VESA Plate to the Pole Body



1. Put a plastic washer on the top of the Pole and then insert it into the VESA Plate.



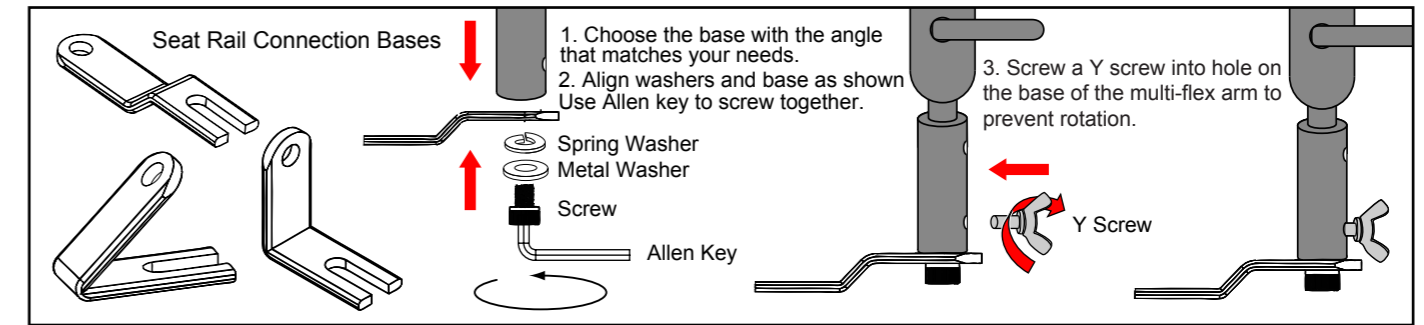
2. Place a plastic washer then a metal washer over the Pole tip, screw nut over to lock in place.



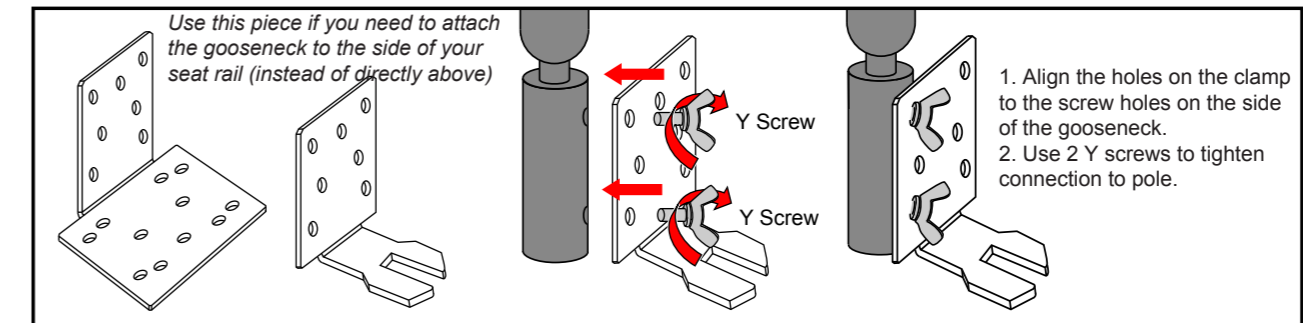
3. Use the Socket Wrench to tighten it securely.

2. Attaching Car Seat Rail Clamp to Multi-Flex Pole.

Depending on your car or vehicle, you may need to choose the different car seat rail clamp according to your needs. These three clamps allow you to connect from the bottom of Multi-Flex Pole.

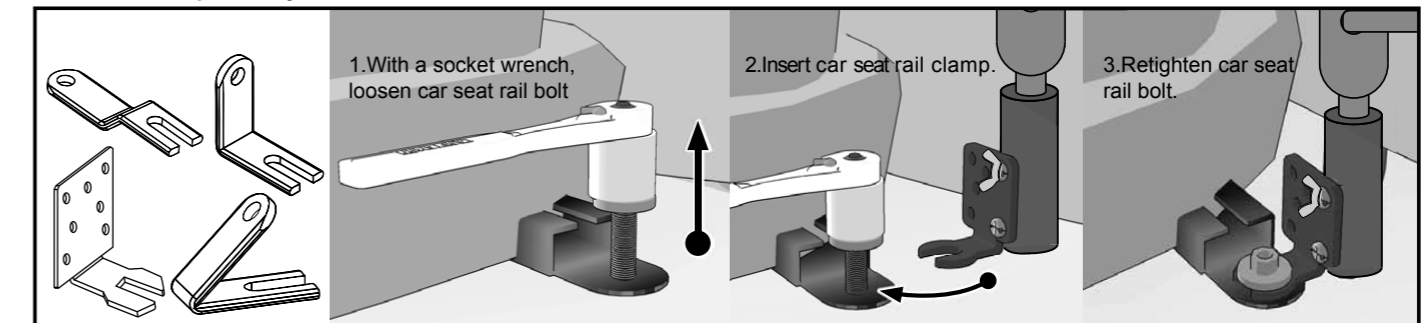


These two clamps allow you to connect the side of the Multi-flex pole

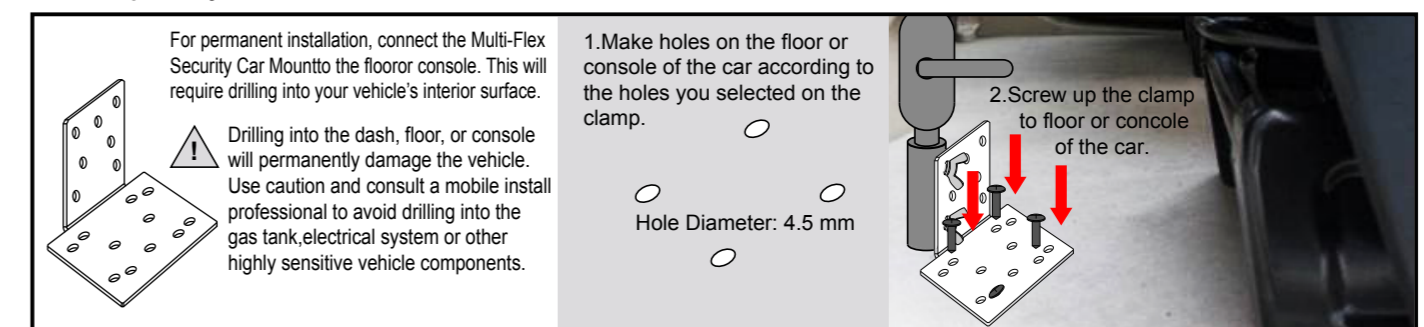


3. Installing to Your Car

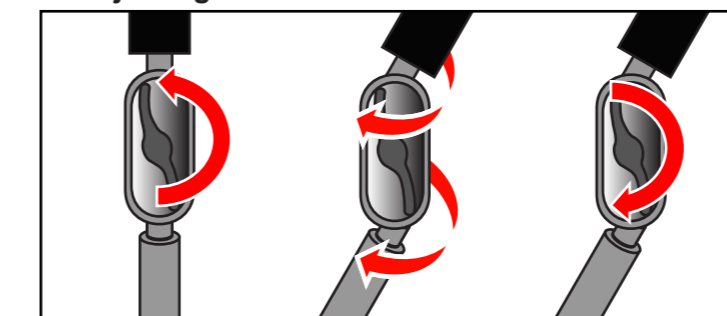
These four clamps allow you to connect it to the car seat rail.



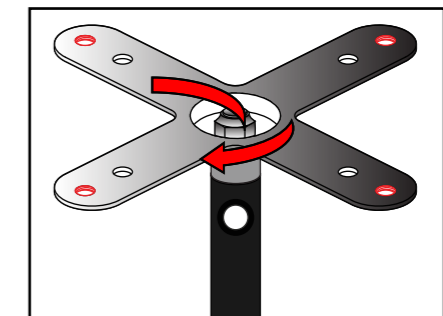
This clamp allows you to connect it to the car floor or console.



4. Adjusting Joints



1. Loosen the Handle Rod of the Pole, Adjust the Pole to desired position then tighten the Handle Rod.



2. Rotate the VESA Plate to adjust it in horizontal.

SUPPORT@CTADIGITAL.COM