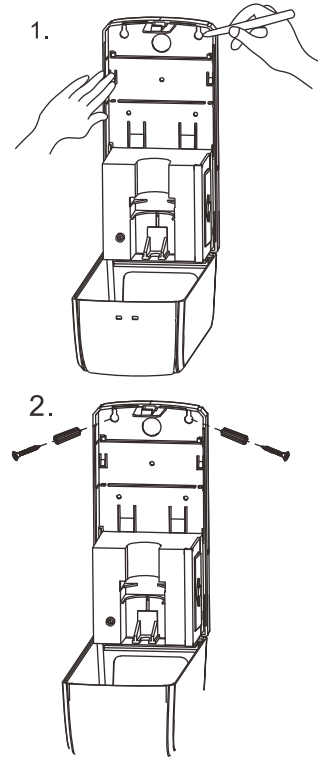
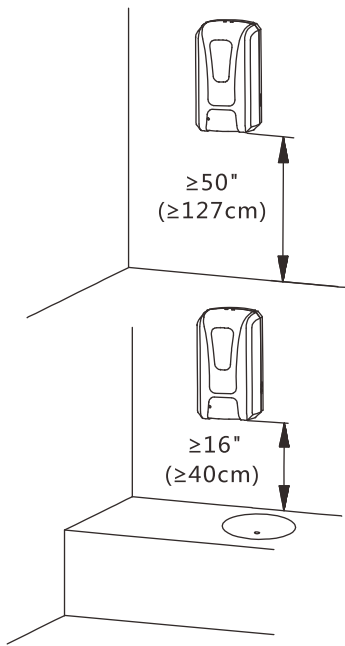


2. When installing to a surface



3. Sanitizer Interior

