

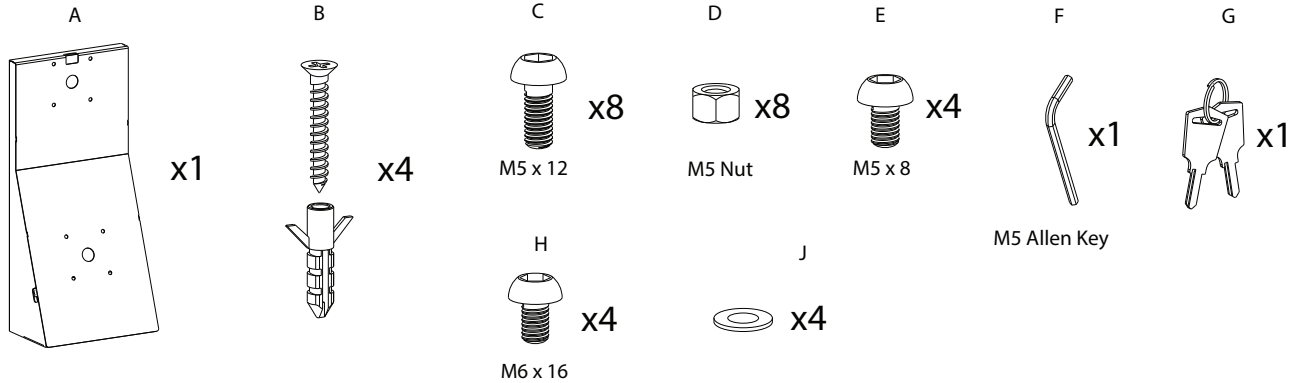


# Dual VESA Desk Mount w/ Storage Compartment

ADD-2VDMB/ ADD-2VDMW

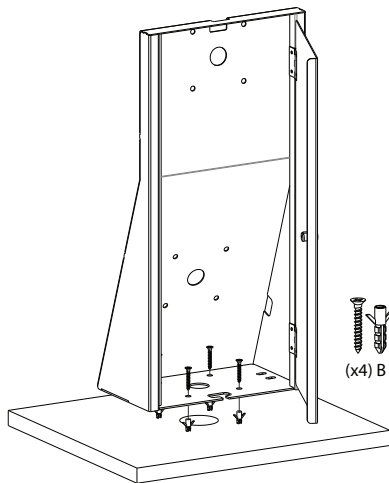
INSTRUCTION - MANUAL

## CONTENTS:

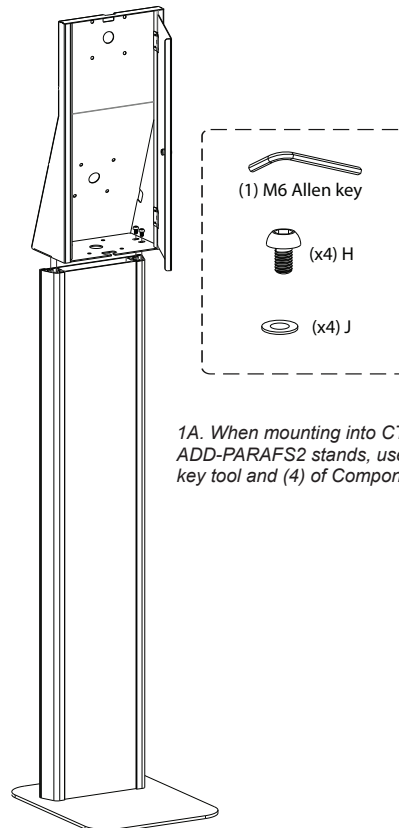


## INSTALLATION:

### 1. Mounting Setup

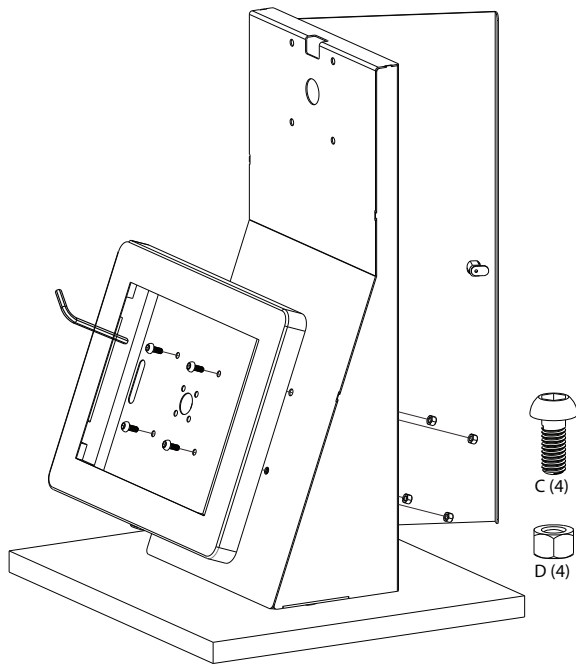


1A. When mounting into a surface for a desk mount mode, use (4) Component B screws and anchors. Using a screwdriver (not provided), rotate in until securely tightened as shown above.



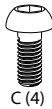
1A. When mounting into CTA Digital's ADD-PARAFS2 stands, use the provided allen key tool and (4) of Component H & J as shown.

## How to Attach to CTA's Paragon Enclosure

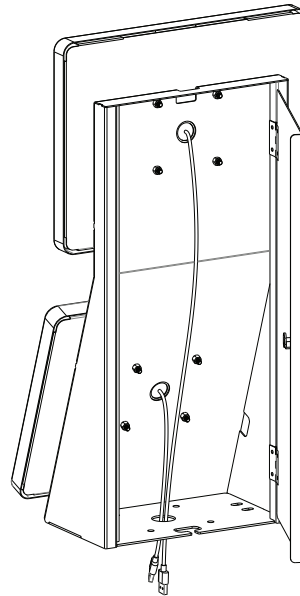
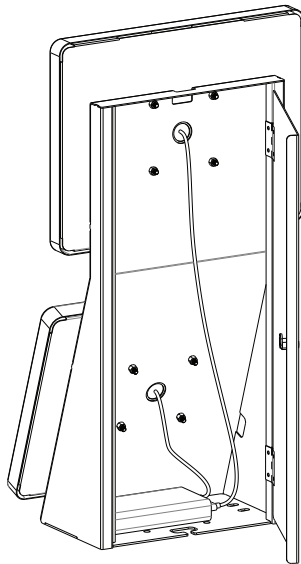


*\*\*Enclosure is for illustration purposes and not included*

*Align VESA holes of CTA's paragon enclosure with the desk mount VESA holes. Using the included allen key tool (component F), rotate in screws (component C) while holding hex nut (component D) until securely tightened.*



## How to Cable Route and Accessing Back Storage Area



*Unlock back storage area using keys (component G). Fish through the holes your cable as shown into the back storage area. Fish through the holes at the bottom to go into kiosk of behind the surface service areas to keep wires hidden. Place any small charging items, device or accessories as needed as long as they fit into the space.*