

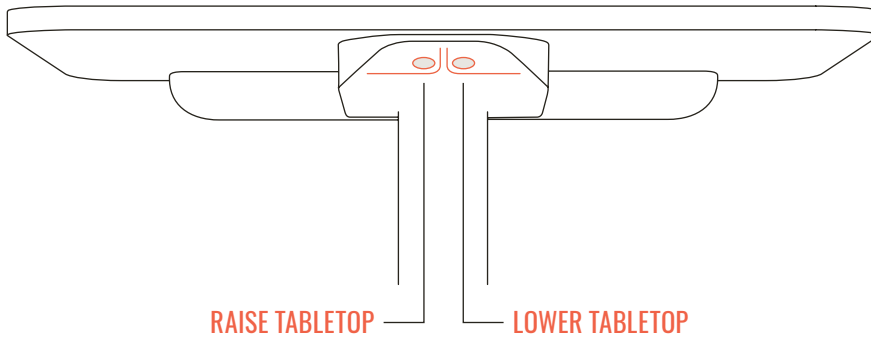
Yaasa Desk One

Troubleshooting Guide

CONTENTS

1	LEGEND	03
2	GENERAL INFORMATION	03
3	POWER SUPPLY	03
4	TROUBLESHOOTING	03
	4.1) Manual reset	03
	4.2) Possible irregularities during operation and how to rectify them	04
5	ADDITIONAL INFORMATION	05

1. LEGEND



2. GENERAL INFORMATION

Please read the instructions and safety precautions set out in the manual carefully before setting up the desk. Consult this Troubleshooting Guide if you should experience any problems or error messages. If you have any further enquiries, please contact our customer service directly.

3. POWER SUPPLY

Position the desk to a nearby socket and plug the power cable into the socket.

4. TROUBLESHOOTING

4.1 MANUAL RESET

Most possible errors can be fixed through resetting the system manually.

1. Press the tabletop DOWN key and hold until the desk has reached its lowest position (pre-defined tabletop position).
2. Press the tabletop DOWN key once more and hold. After approximately 3 seconds, the tabletop moves further down until the lowest tabletop position is reached.
3. Release the tabletop DOWN key. The desk is now fully operational again.

4.2 POSSIBLE IRREGULARITIES DURING OPERATION AND HOW TO RECTIFY THEM

Error messages visible on the hand switch display:

ERROR MESSAGE	CAUSE	SOLUTION
The desk stops 1 cm short of the lowest position	Safety setting - The desk should reach the lowest position without any interruptions	Press down and hold until the desk reaches its lowest position at reduced speed
The desk wobbles	The retaining screws are not tightened	Tighten the screws with the tools provided or using a portable electric drill
	Levelling feet are not positioned evenly	Adjust the levelling feet in such a way that they both touch the floor evenly
The power unit or control system is not working	The power supply cable is not connected	Plug the power supply cable into a socket
	Electronic control system faulty	Contact customer service
	Hand switch faulty	Contact customer service
	The resting period was not upheld	The desk can be used again after an 18-minute resting period
	Contact with liquids	Contact customer service

NOTE: A MANUAL RESET MAY BE REQUIRED IF A POWER FAILURE OCCURS OR THE POWER CABLE IS REMOVED WHILE THE HEIGHT IS BEING ADJUSTED.

5. ADDITIONAL INFORMATION

RESET FACTORY SETTINGS (YAASA DESK ONE):

1. Briefly press the UP and DOWN buttons simultaneously the LED indicator turns green.
2. Press and hold the UP and DOWN buttons simultaneously before the green LED indicator switches off (approx. 3 seconds).
3. Release the buttons as soon as the LED indicator starts flashing red. The reset mode is confirmed when the LED indicator flashes green.
4. Press the DOWN button until the lowest position is reached. The factory setting have now been reset.

WHERE TO FIND THE LED INDICATOR:

