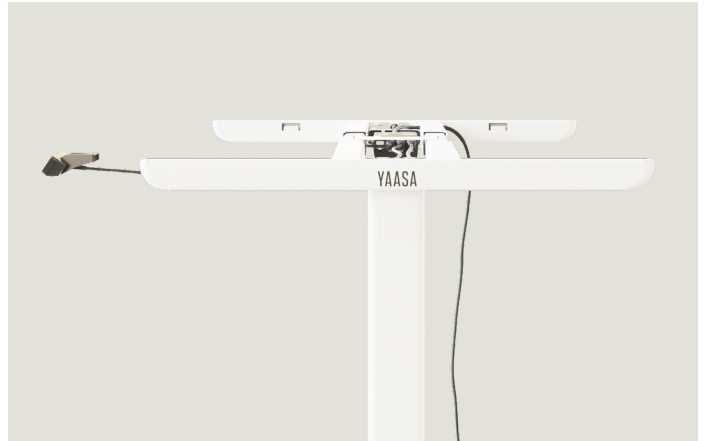
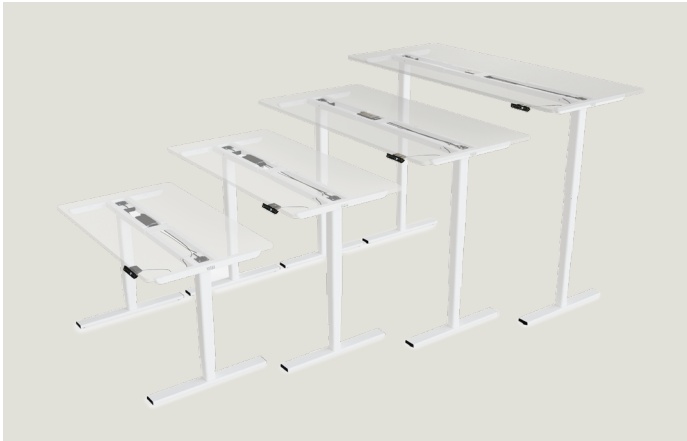


Yaasa Desk Frame



Yaasa Desk Frame

Electrically-adjustable desk frame



PRODUCT DETAILS

Dimensions (length x width):

Adjustable to different sizes

1: 118 x 56.9 cm

2: 128 x 56.9 cm

3: 138 x 56.9 cm

4: 148 x 56.9 cm

5: 158 x 56.9 cm

6: 168 x 56.9 cm

Colors:

White | Black

Product Weight:

23.9 kg

Recommended table top:

laminated chipboard or hardwood board,
rectangular shape, minimum thickness of 18 mm
suggested size of 120-200 cm (length) and 70-80 cm (width).

Material:

Powder-coated steel, includes 4 levellers with 10 mm thread

Handset:

Up/Down function, with 4 memory position buttons,
display shows table top height

Collision Detection System:

Yes

Assembly:

Simple assembly possible in a few minutes, with step-by-step instructions

Range of movement:

60 – 126 cm

Max. load (frame):

100 kg

Duty cycle:

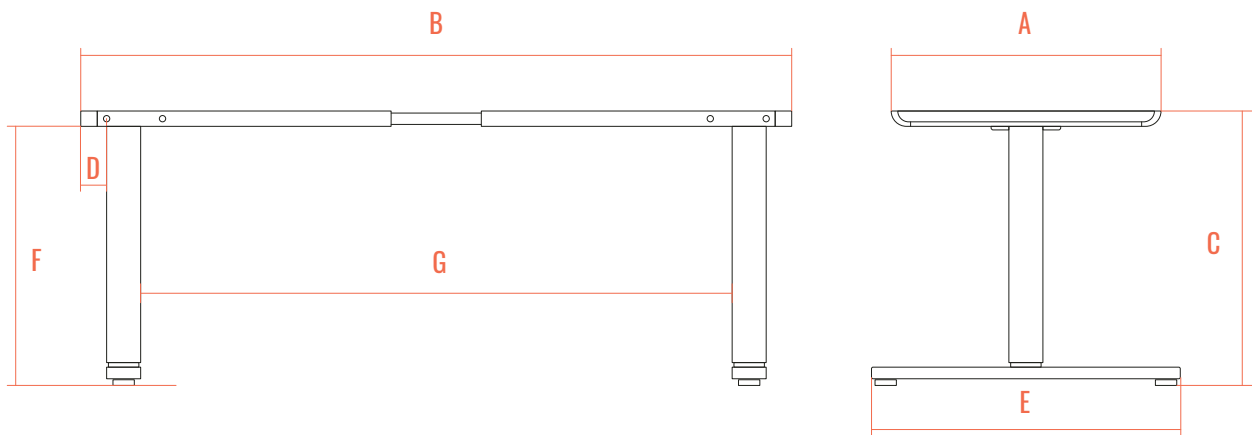
2 Minutes on, 18 Minutes off

Input:

230 V / 50 Hz / 2 A

Yaasa Desk Frame

Electrically-adjustable desk frame



SIZE	A	B	C	D	E	F	G	H	I	
1	56.9	118	60-126	6	66.5	56.5-122.5	92.9	120-130	70-80	cm
2	56.9	128	60-126	6	66.5	56.5-122.5	102.9	130-140	70-80	cm
3	56.9	138	60-126	6	66.5	56.5-122.5	112.9	140-150	70-80	cm
4	56.9	148	60-126	6	66.5	56.5-122.5	122.9	150-160	70-80	cm
5	56.9	158	60-126	6	66.5	56.5-122.5	132.9	160-170	70-80	cm
6	56.9	168	60-126	6	66.5	56.5-122.5	142.9	170-200	70-80	cm

Minimum table top thickness: 18 mm

Template for attaching the table top to the frame

