

Yaasa

Desk Expert / Frame Expert



Yaasa Desk Expert / Frame Expert

REV 01/24



PRODUCT DETAILS

Table top:

Desk Expert

140 x 80 cm | 160 x 80 cm (L x W)
180 x 80 cm | 200 x 80 cm (L x W)
Melamine-coated chipboard with
all-round plastic edging
White | Multiplex-White | Darkgrey
Oak light | Oak dark

Frame Expert

not included
Length: 140 – max. 200cm
Width: 60 – max. 100 cm
Thickness: min. 1.8 cm

Total Product Weight:

46.2 - 52.4 kg (140 x 80 cm)
48.4 - 55.1 kg (160 x 80 cm)
50.6 - 57.8 kg (180 x 80 cm)
52.8 - 60.4 kg (200 x 80 cm)

31.1 kg

Frame:

Made of powder-coated steel with aluminium base
including 4 levelers with 10 mm thread

Handset:

Up and down with memory function and display included
indication of table height | Auto drive | User profiles | Key lock |
Reminder | Standing Statistics | Height Limitation | Bluetooth

Collision detection:

Yes

Assembly:

Easy assembly in a couple of minutes with step-by-step instructions

TECHNICAL SPECIFICATIONS

Height Adjustment Range:

Desk Expert

64 - 129 cm

Frame Expert

62 - 127 cm

Max. Load (evenly distributed):

120 kg (80 kg dynamic)

140 kg (100 kg dynamic)

Duty Cycle:

2 minutes ON, 18 minutes OFF

Number of Motors:

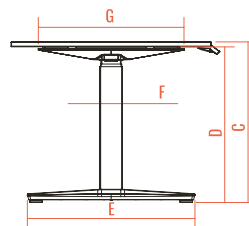
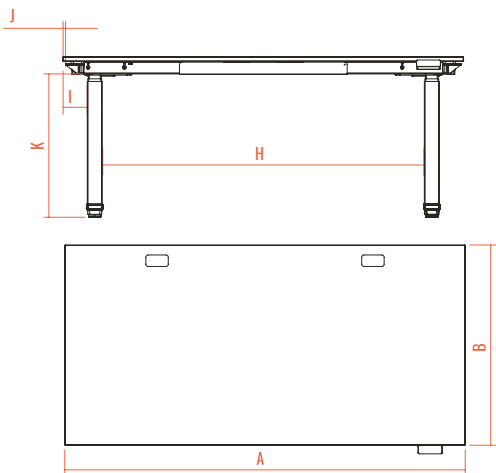
2

Input:

230 V / 50 Hz / 1.5 A

Connector Type:

Schuko (Typ F) or CH-Connector (Typ J)



A	B	C	D	E	F	G	H	I	J	K
140	80	64-129	62-127	67	9	58	109	10	1	57-122
160	80	64-129	62-127	67	9	58	129	10	1	57-122
180	80	64-129	62-127	67	9	58	149	10	1	57-122
200	80	64-129	62-127	67	9	58	169	10	1	57-122
Frame Expert			62-127	67	9	58	109-169	10	1	57-122