



MSPRAYER1F.2

MODEL NUMBER: 2681022, 26810011, 2681201,
2681101, or 26812101

SERIAL NUMBER: _____

Owner's Manual

Instructions for Assembly, Testing, Operation, Servicing, and Storage

NorthStar Sprayers: For outdoor use with non-potable liquids such as agricultural pesticides and other water based liquids**

WARNING

READ and UNDERSTAND the Owner's Manual completely before using this sprayer.

Assemble, test, and use only in accordance with the Owner's Manual instructions.

READ and FOLLOW chemical label instructions. Pesticides are hazardous chemicals.

KNOW emergency procedures BEFORE handling chemicals. Sprayer leaks, bodily chemical contact, poisoning, and spills require immediate response.

AVOID inhaling, ingesting, or coming into contact with any chemicals.

WEAR personal protective gear when filling, using, cleaning, and servicing the sprayer.

KEEP sprayer and spray materials away from children and pets. Pesticides are especially toxic to them.

EXERCISE CAUTION in vehicle handling when towing/hauling a filled sprayer to avoid loss of control or sprayer overturning.

DO NOT TURN ON POWER to sprayer until ready to spray in order to avoid unintentional spray release.

ALWAYS keep a fire extinguisher rated "ABC" nearby.

Improper use of the sprayer or handling of chemicals could result in serious injury or illness to the operator or nearby persons/animals, or could cause damage to the environment.

Only use the cable clamps provided with the sprayer to connect it with the vehicle battery.

** This sprayer is recommended for use in spraying non-flammable liquids such as pesticides, water for plants/trees or dust control, or water-based non-flammable sealants or stains for outdoor wood surfaces. The pump should not be used to transfer any products intended for human consumption. However, WE RECOMMEND THAT THE SPRAYER NOT BE USED FOR OTHER PURPOSES ONCE IT HAS BEEN USED FOR SPRAYING PESTICIDES. Any chemical will leave some residual in the tank liner or sprayer components, even after the sprayer has been properly cleaned. These residual chemicals can have unexpected effects on future uses. For example, spraying water or other liquids that are contaminated with residual pesticide may result in unforeseen hazards to plant or animal life. This sprayer should not be used by people with reduced physical, sensory or mental capabilities or lack of experience and knowledge.

Any Questions, Comments, Problems, or Parts Orders

Call NorthStar Product Support 1-800-270-0810



Hazard Signal Word Definitions






	<p>This is the safety alert symbol. It is used to alert you to potential personal injury hazards. Obey all safety messages that follow this symbol to avoid possible injury or death.</p>
	<p>DANGER (red) indicates an imminently hazardous situation which, if not avoided, will result in death or serious injury.</p>
	<p>WARNING (orange) indicates a potentially hazardous situation which, if not avoided, could result in death or serious injury.</p>
	<p>CAUTION (yellow) indicates a potentially hazardous situation which, if not avoided, may result in minor or moderate injury.</p>
	<p>CAUTION (yellow) used without the safety alert symbol indicates a potentially hazardous situation which, if not avoided, may result in property damage.</p>

fig01453

Table of Contents

Intended Use	4
Summary of Important Safety Information	5
During Assembly	
During Use	
• General Chemical Safety	
• Chemical Application Safety	
• ATV Vehicle Handling Safety	
• Chemical Accident Procedures	
Warning Label Location	8
Component Inventory	
Unpacking.....	9
Unpacking the Manual Bag.....	10
Assembly	
Step One: Attach lance clips to tank	11
Step Two: Attach drain cap to tank	11
Step Three: Attach gun hose to pump	12
Step Four: Attach hose guide to tank	12
Step Five: Attach gun hose to spray gun	13
Step Six: Unpack and inspect parts from 2681101 and 26812101 kit bag.....	14
Step Seven: Attach broadcast bracket to tank	14
Step Eight: Finish broadcast kit assembly.....	15
Step Nine: Attach sprayer to vehicle.....	15
Step Ten: Connect remote switch to vehicle battery	16
Step Eleven: Check and test completed assembly.....	17
Machine Components	18
Operation	
Important Safety Information - Operation	20
• General Chemical Safety	
• Chemical Application Safety	
• ATV Vehicle Handling Safety	
• Chemical Accident Procedures	
Preparing the Sprayer for Each Use	24
Using the Sprayer	
Step One: Assess wind conditions and clear work area	25
Step Two: Fill the sprayer	25
Step Three: Operate the sprayer	
• Step 3.1: Models 2681022, 26810011 and 2681201	27
• Step 3.2 Models 2681101 and 26812101	28
Step Four: Clean sprayer and decontaminate after use	33
Storage	34
Preparing for storage	
Removing from storage	
Troubleshooting	35
Specifications	36
Parts Breakdown – Exploded View	37
2681042 Pump Parts Breakdown – Exploded View	38
794992 Pump Parts Breakdown – Exploded View	39
Accessories	40
Appendix A: Broadcast Spray Calibration Tables	41
Limited Warranty	42

Intended Use

The sprayer is intended for use in spraying agricultural pesticides and other non-flammable liquids.

SPRAYING PESTICIDES:

Pesticides are hazardous chemicals that must be handled with caution as directed throughout this manual and on the pesticide label. Pesticides are regulated by the United States Environmental Protection Agency (EPA) and defined as:

Any substance or mixture of substances intended for preventing, destroying, repelling, or mitigating any pest. Though often misunderstood to refer only to insecticides, the term pesticide is a comprehensive term that applies to insecticides, herbicides, fungicides, and various other substances used to control pests.

The sprayer is intended for use in spraying pesticides in liquid form only. The sprayer is NOT intended for use in spraying pesticides in dry or aerosolized form, or for use with fumigants.

Some formulations of liquid pesticides do not remain in solution and should be agitated to maintain a uniform mix. An optional **pressure regulator/agitator** (Item #2681032) is available for use with this sprayer. This should be used when spraying pesticides classified as “flowable” (“F” or “L”), “wetttable powder” (“WP” or “W”), “emulsion” (“EC” or “E”), “microencapsulated” (“M”), or water dispersible granules (“WDG” or “DF”). (See pesticide label to determine its classification.)

Sprayer 2681022 comes equipped with a spot spray gun for applying pesticides on selected plants. If you wish to spray large ground areas, an **ATV mounted broadcast kit** (Item #268195), and **ATV mounted broadcast boom kits** (Item #268715, 268716 & 2730111) are available as optional accessories. Note: An adapter kit (Item #268721) is required to mount the sprayer to the broadcast boom kits (268715, 268716, and 2730111).

Sprayers 26810011 and 2681201 come equipped with a spot spray gun for applying pesticides on selected plants. If you wish to spray large ground areas, a **tank-mounted broadcast kit**, (Item #268852), **ATV mounted broadcast kits** (Item #268195 & 268719), and **ATV mounted broadcast boom kits** (Item #268715, 268716, 2730111 & 268717) are available as optional accessories.

Sprayers 2681101 and 26812101 come equipped with a spot spray gun and a tank-mounted broadcast spraying system. Use the spot spray gun if you desire to apply pesticide only on selected plants. Use the broadcast spraying system if you wish to spray large ground areas. **ATV mounted broadcast boom kits** (Item #268715, 268716, 2730111 & 268717) are available as optional accessories.

SPRAYING OTHER LIQUIDS:

In addition to spraying pesticides, this sprayer may be used to spray other **non-flammable** liquids. Example uses include: watering plants/trees or spraying water for dust control, or applying water-based, non-flammable sealant or stain to outdoor wood surfaces.

However, **WE RECOMMEND THAT THE SPRAYER NOT BE USED FOR OTHER PURPOSES ONCE IT HAS ALREADY BEEN USED FOR SPRAYING PESTICIDES.** Any chemical will leave some residual in the tank liner or sprayer components, even after the sprayer has been properly cleaned. These residual chemicals can have unexpected effects on future uses. For example, spraying water or other liquids that are contaminated with residual pesticide may result in unforeseen hazards to plant or animal life.

Contact NorthStar Product Support at 1-800-270-0810 for any questions about the appropriate use of the sprayer and/or optional accessories.

Summary of Important Safety Information

WARNING

Read and understand **this owner's manual** completely before using the sprayer. Read each **chemical label's instructions** before handling the chemical.

Improper use of the sprayer or handling of chemicals could result in serious injury or illness for the operator or nearby persons/animals, or cause damage to the environment.

LISTED BELOW is a summary of safety information of particular importance. See individual sections of this owner's manual for more details.

----- DURING ASSEMBLY -----

- **EXERCISE CAUTION** when attaching remote switch to battery terminals. Follow the steps listed in the Assembly section of this manual *in exact sequence* when connecting the sprayer's remote switch battery clamps to the battery terminals. *Caution must be exercised to avoid contact with battery acid and to prevent sparking.*
- **CHECK and TEST completed assembly** as directed in this manual. Serious injury could result from chemical leaks if sprayer is improperly assembled.
- **DO NOT MODIFY sprayer design.**

----- DURING OPERATION -----

General Chemical Safety

- **READ and FOLLOW** each chemical label's instructions and warnings.
- **AVOID** inhaling, ingesting, or coming into contact with any chemicals.
- **KNOW** applicable licensing and regulatory requirements for the chemical you plan to use.
- **KNOW** emergency procedures before handling chemicals. Carefully review "Chemical Accident Procedures" listed below and later in this manual. Also see First Aid instructions on the chemical label.
- **WEAR** protective clothing, eye protection, and chemical resistant gloves when filling, using and cleaning the sprayer. Wear additional protective gear, such as facemask or apron, as recommended on the chemical label.
- **EXERCISE EXTRA CAUTION** around children and pets. Pesticides are especially toxic to them. Keep sprayer and spray materials away from them at all times.
- **DO NOT MIX OR POUR** chemicals in an enclosed, unventilated area
- **DO NOT USE** flammable or corrosive chemicals in the sprayer.
- **FLUSH** the sprayer before switching chemicals in order to prevent dangerous chemical interactions.
- **STORE** pesticides in a correctly labeled container and in a secure location.
- **MONITOR** the health of operators frequently exposed to pesticides, as recommended by the chemical label or local/federal regulations.

Chemical Application Safety

Before Spraying

- **INSPECT and PREPARE** sprayer before each use as directed in this manual.
- **DO NOT TURN ON POWER** to sprayer until ready to spray in order to avoid unintentional spray release.
- **MAKE SURE BROADCAST NOZZLE IS ORIENTED** to spray straight down before starting the sprayer. An incorrectly positioned broadcast nozzle may spray chemicals on you or others.

Summary of Important Safety Information

- **DO NOT SPRAY** when wind speed exceeds 4 MPH in order to minimize spray drift.
- **CLEAR work area of people/ pets and POST warning notices** to restrict access for the period recommended on chemical label.
- **KEEP sprayer and spray materials away from children/pets.** Pesticides can be especially toxic to children and animals.
- **DO NOT ALLOW anyone younger than 16 to operate sprayer** since pesticides are especially toxic to children.

During Spraying

- **DO NOT OVER-APPLY pesticide.** Apply at rate recommended by chemical manufacturer. Excess pesticide can be dangerous to humans/animals, damage desirable plants, and contaminate soil and water sources.
- **DO NOT EAT, DRINK, SMOKE, RUB YOUR EYES, or TOUCH YOUR BARE SKIN while handling chemicals and spraying.**
- **NEVER POINT THE SPRAY GUN at people or animals.**
- **EXERCISE EXTRA CAUTION when spraying near areas accessible to children and pets.**
- **CLEAN up spills immediately** per instructions on the chemical label.
- **TURN OFF vehicle and set brake or block wheels, TURN OFF power to sprayer, and RELIEVE system pressure** before leaving sprayer unattended.
- **SEE Troubleshooting section of this manual before attempting any repairs.** Wear personal protective equipment and follow safety instructions.

After Spraying

- **CLEAN sprayer immediately after use** according to the directions provided in this manual.
- **DECONTAMINATE yourself after you are** done spraying and have cleaned the sprayer. Wash all exposed areas of the body with soap and water, and remove and launder clothing.
- **DISPOSE OF or STORE remaining chemicals in secure storage with correctly marked container.**

ATV Vehicle Handling Safety

- **DO NOT ALLOW drivers younger than 16** to operate ATV with sprayer attached.
- **EXERCISE SPECIAL CAUTION in ATV vehicle handling and DO NOT exceed 5 MPH.** ATV will be less stable and perform very differently with filled sprayer attached. Exercise particular caution on sloped or rough surfaces to avoid rollover. Use a vehicle equipped with rollover protection for use on non-level terrain.
- **DO NOT RIDE or TRANSPORT cargo on the sprayer.**

Chemical accident procedures

Immediate response is necessary in the event of sprayer leaks, bodily chemical contact, poisoning, or spills. See instructions below:

Sprayer leak	If the sprayer develops a leak, immediately stop spraying. Turn off power to the sprayer and follow directions below, as applicable.
Bodily chemical contact	<p>Personal contamination can occur when chemicals splash, spill, or spray directly onto a person.</p> <p>1. Immediately follow First Aid instructions on <u>chemical label</u>.</p> <p><u>General procedures can include:</u></p> <p>a) Eyes – immediately flush with water.</p> <p>b) Skin – wash all contaminated skin surfaces with soap and water.</p> <p>c) Clothing – remove contaminated clothing. Dispose of heavily contaminated clothing per chemical label instructions.</p>

Summary of Important Safety Information

	<p>2. Seek medical advice if instructed on the label or the victim experiences symptoms of harmful effects. Bring the chemical label for reference.</p>
<p>Poisoning by ingestion or inhalation</p>	<p>In case of poisoning from ingestion or inhalation:</p> <p><i>If the victim has collapsed or is not breathing, call 911.</i> Otherwise:</p> <ol style="list-style-type: none"> 1. If you are the victim, immediately seek assistance from nearby personnel because you may become incapacitated. 2. Immediately follow first aid instructions on chemical label. 3. Call a poison control center for further advice. In the U.S., call 1-800-222-1222. Have the chemical label available for reference.
<p>Chemical spills</p>	<p>Chemical spills must be quickly contained and properly cleaned up.</p> <p>Refer to the chemical label for any specific cleanup instructions.</p> <p><u>General procedures include:</u></p> <ol style="list-style-type: none"> 1. Controlling the spill by stopping the source of the spill. 2. Containing the spill so that it does not spread and get into water sources. 3. Cleaning up the spill immediately. 4. Seeking additional advice from: <ul style="list-style-type: none"> - <u>Chemical manufacturer</u>. See chemical label for contact information. - <u>State pesticide regulatory agency</u>. In the U.S., call the National Pesticide Info. Ctr. at 800-858-7378 for assistance in contacting your state's agency.

Warning Label Location

▲ WARNING

READ and UNDERSTAND the Owner's Manual completely before using this sprayer. Assemble, test, and use only in accordance with the Owner's Manual instructions.

READ and FOLLOW chemical label instructions. Pesticides are hazardous chemicals, which must be handled carefully.

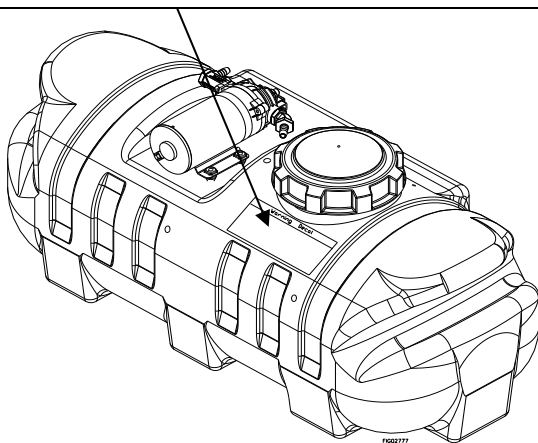
KNOW emergency procedures BEFORE handling chemicals. Sprayer leaks, bodily chemical contact, poisoning, and spills require immediate response.

AVOID inhaling, ingesting, or coming into contact with any chemicals.

EXERCISE CAUTION in vehicle handling. Vehicle will be less stable and handle very differently with filled sprayer attached.

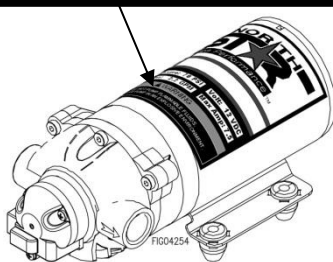
DO NOT TURN ON POWER to sprayer until ready to spray in order to avoid unintentional spray release.

Improper use of the sprayer or handling of chemicals could result in serious injury or illness to the operator or nearby persons/animals, or could cause damage to the environment.



▲ WARNING

DO NOT PUMP FLAMMABLE FLUIDS. DO NOT USE PUMP IN AN EXPLOSIVE ENVIRONMENT. READ AND UNDERSTAND THE OWNER'S MANUAL COMPLETELY BEFORE USING. RELIEVE SYSTEM PRESSURE BEFORE PERFORMING MAINTENANCE.



Part#	Description	Model
777499	Chemical Label	All
790574	NSQ Series 1042Q	2681022
788009	NSQ Series 2272Q	26810011, 2681201, 2681101, 26812101

Always make sure safety labels are in place and in good condition. If a safety label is missing or not legible, order new labels or unsafe operation could result.

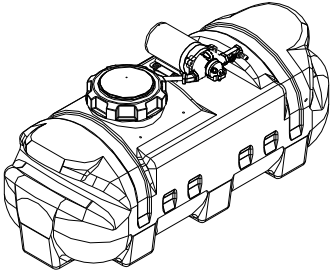
To order replacement safety labels, call NorthStar Product Support at 1-800-270-0810.

Unpacking

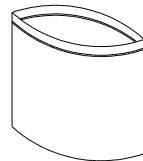
Closely inspect all contents in the shipping carton.

Note that some parts are shipped inside the tank.

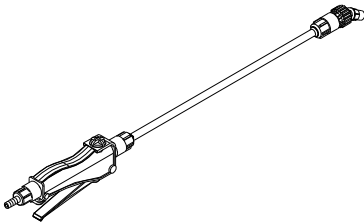
- If you have missing or damaged components, please contact NorthStar Product Support at 1-800-270-0810.



Sprayer



Manual Bag



Spray Gun
(Qty 1)
779769

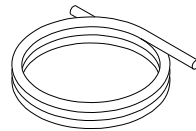
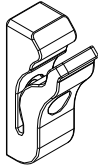


FIG04425D

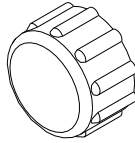
Gun Hose
(Qty 1)
793566

Unpacking the Manual Bag

The following items are found in the 2681022 manual bag.



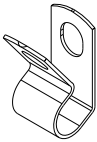
Lance Clip
(Qty 2)
778560



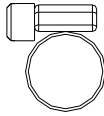
Drain Cap & Washer
(Qty 1)
37680, 5232



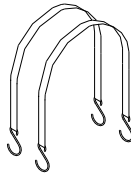
Screw
(Qty 3)
779779



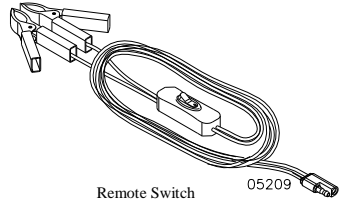
Hose Guide
(Qty 1)
779777



Hose Clamp
(Qty 2)
30746



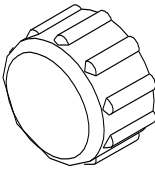
Tie Down Straps
(Qty 2)
5262



Remote Switch
(Qty 1)
777493

05209

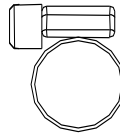
The following items are found in the 26810011, 2681201, 2681101 and 26812101 manual bags.



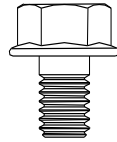
Drain Cap & Washer
(Qty 1)
37680, 5232



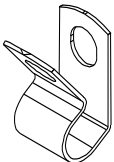
Screw
(Qty 2)
82059



Hose Clamp
(Qty 2)
30746



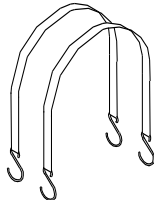
Flange Bolt
(Qty 1)
82014



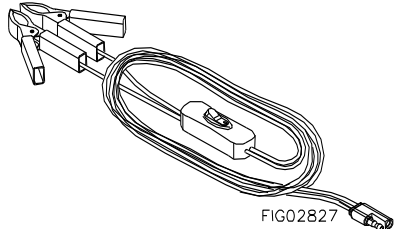
Hose Guide
(Qty 1)
777110



Lance Clip
(Qty 2)
778560



Tie Down Straps
(Qty 2)
5262



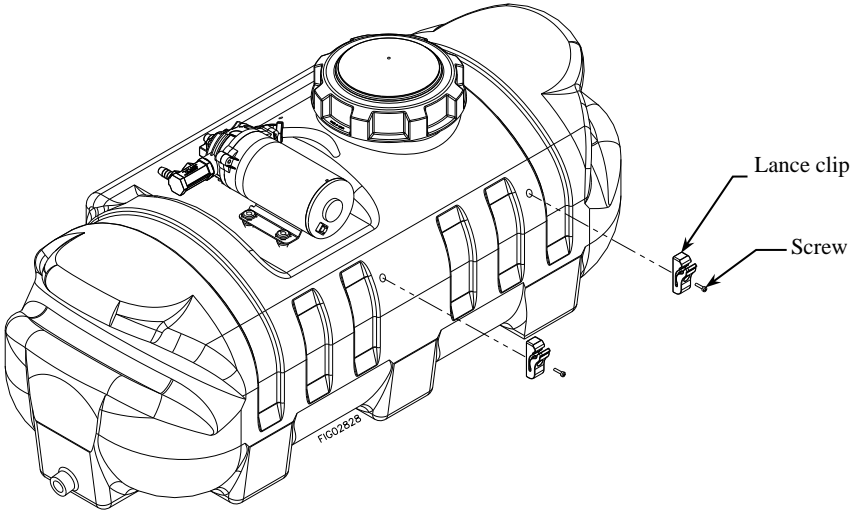
Remote Switch
(Qty 1)
777493

FIG02827

Assembly

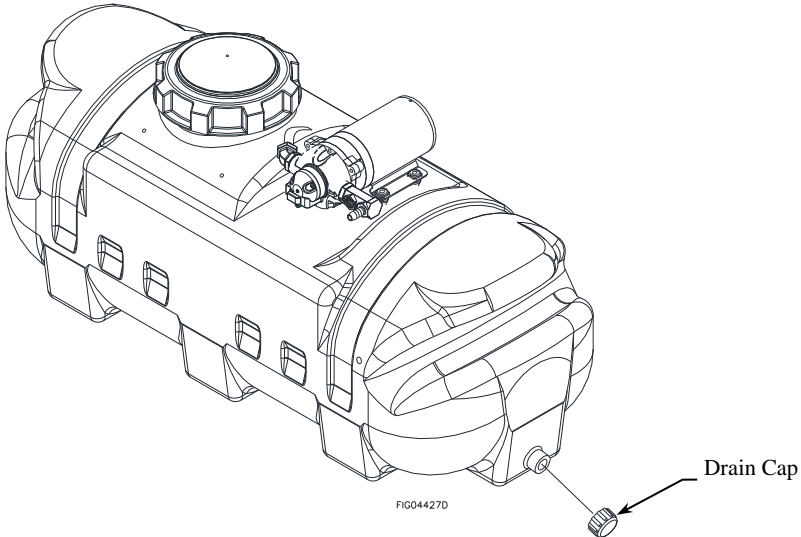
Step One: Attach lance clips to tank

Fasten the two lance clips to the sprayer tank with screws.



Step Two: Attach drain cap to tank

1. Thread the drain cap onto the tank.

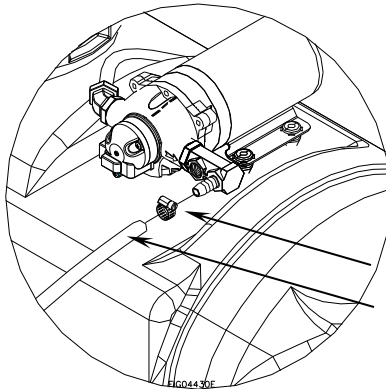


Assembly (continued)

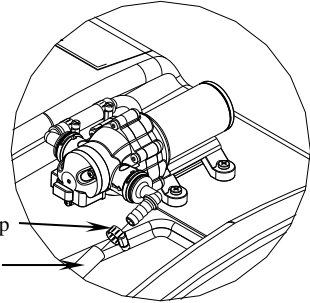
Step Three: Attach gun hose to pump

1. Slide hose clamp over one end of the gun hose.
2. Push the hose onto the pump hose barb.
3. Slide the hose clamp over the hose barb.
4. Tighten the hose clamp.

Model # 26810011, 2681201,
2681101, 26812101

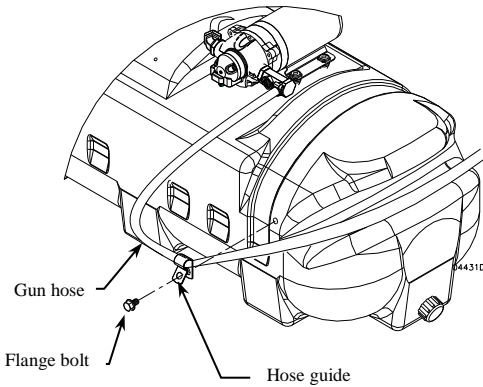


Model # 2681022

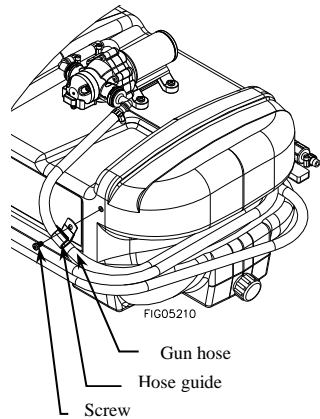


Step Four: Attach hose guide to tank

1. Route gun hose through hose guide.
2. Attach hose guide to tank with bolt.



Model # 26810011, 2681201,
2681101, 26812101

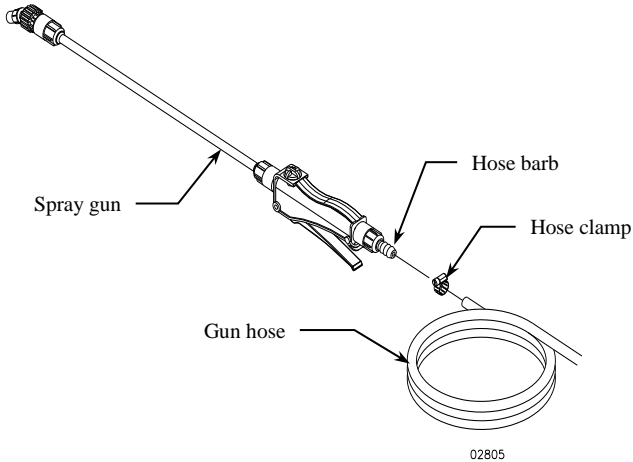


Model # 2681022

Assembly (continued)

Step Five: Attach gun hose to spray gun

1. Slide hose clamp over the end of the gun hose.
2. Push the hose onto the gun hose barb.
3. Slide the hose clamp over the hose barb.
4. Tighten the hose clamp.



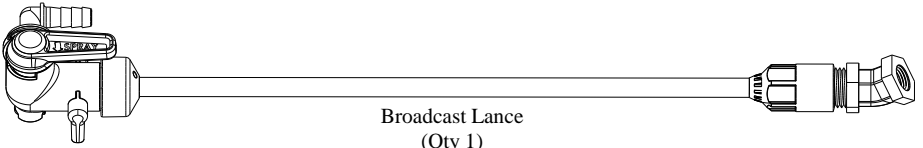
****ATTENTION****

Models 2681022, 26810011, and 2681201 continue with **Step 9.**

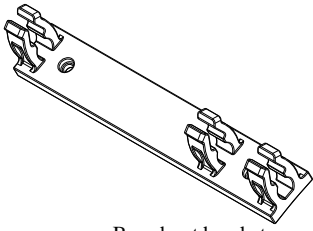
Models 2681101 and 26812101 continue with **Step 6.**

Assembly (continued)

Step Six: Unpack and inspect parts from 2681101 and 26812101 kit bags



Broadcast Lance
(Qty 1)
788410



Broadcast bracket
(Qty 1)
778358



24" hose
(Qty 1)
30290



Broadcast nozzle
(Qty 1)
36576



Hose clamp
(Qty 2)
30746



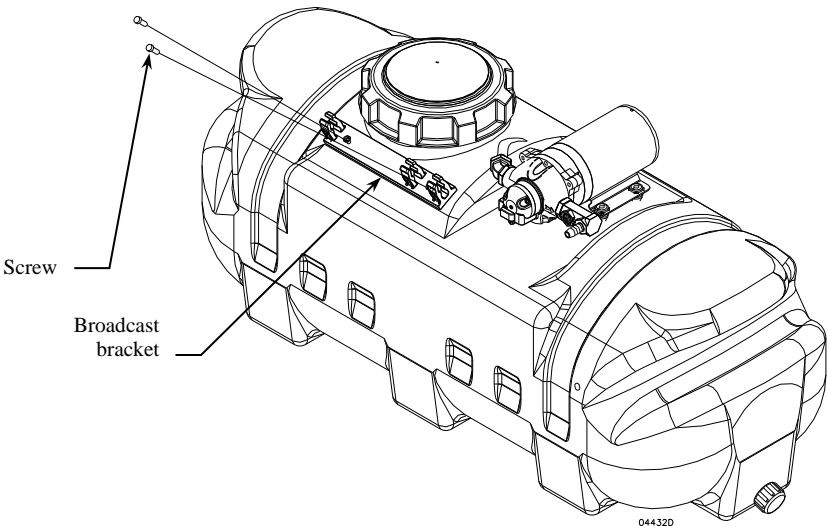
Screw
(Qty 2)
82059



Broadcast fitting
(Qty 1)
779854

Step Seven: Attach broadcast bracket to tank

Attach broadcast bracket to tank using (2) screws.



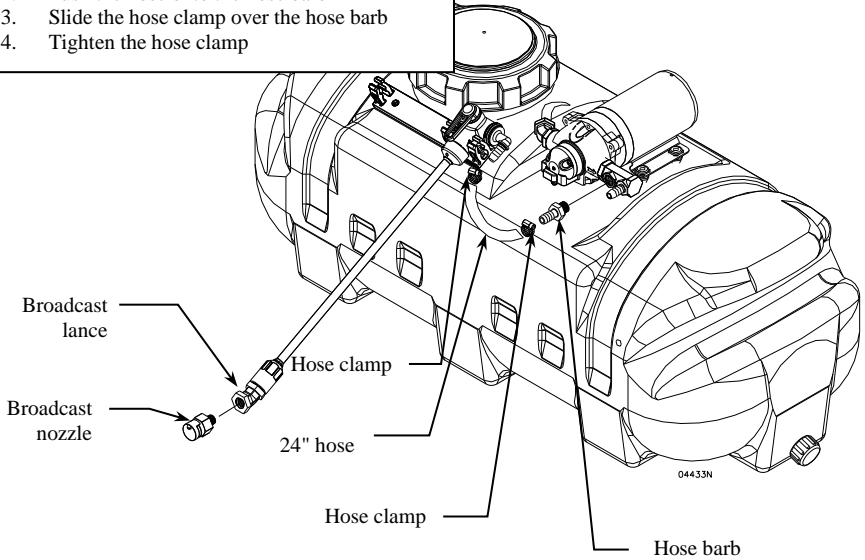
Assembly (continued)

Step Eight: Finish broadcast kit assembly

1. Push broadcast lance into broadcast bracket. Note orientation.
2. Install hose barb into open port on pump. Hand tighten, then one-half turn with a wrench.
3. Connect 24" hose from pump to broadcast lance using two hose clamps. Follow hose clamp instructions below.
4. Thread broadcast nozzle hand tight onto the end of the lance. Note orientation.

Hose clamp installation instructions:

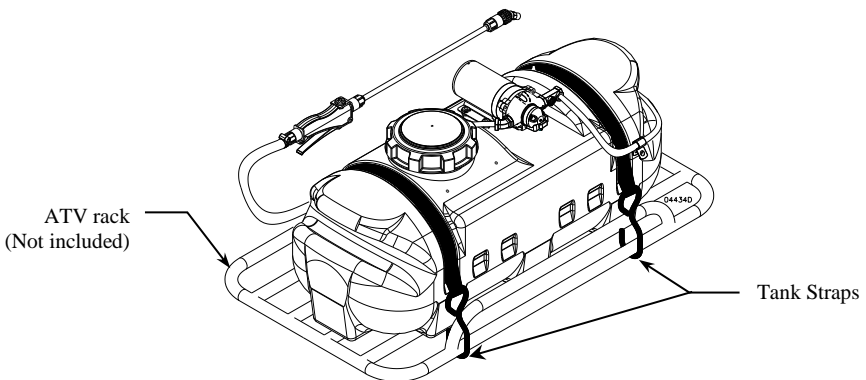
1. Slide hose clamp over the end of the hose
2. Push the hose onto the hose barb
3. Slide the hose clamp over the hose barb
4. Tighten the hose clamp



Step Nine: Attach sprayer to vehicle

NOTE: If your vehicle battery will be inaccessible after the sprayer is attached, proceed to **“Step Ten: Connect remote switch to vehicle battery”** prior to performing this step

Secure the sprayer tank to your ATV rack with two tank straps.



Assembly (continued)

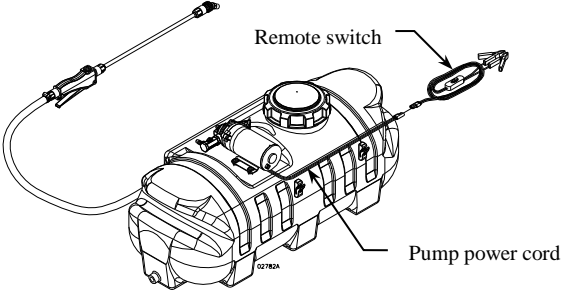
Step Ten: Connect remote switch to vehicle battery

⚠ WARNING

Batteries are hazardous because they contain caustic acid, can emit explosive gases, and can cause electric shock.

Caution must be exercised when making connections to a battery to avoid shock and contact with the acid, and to prevent any sparking that could lead to an explosion.

ALWAYS follow the safety instructions and steps listed below *in exact sequence* when connecting the sprayer's remote switch to the battery terminals.

1. Preparatory safety	Preparatory safety steps: <ul style="list-style-type: none">• ALWAYS use eye protection• NEVER smoke or work near sparks or other sources of ignition.• NEVER touch both battery terminals at the same time or with any non-insulated tools.• If battery acid contacts skin or clothing, flush immediately with water and neutralize with baking soda.
2. Connect remote switch to battery	Connect the sprayer's <u>remote switch</u> to the vehicle battery using the following procedure: <ol style="list-style-type: none">a) Disconnect the vehicle battery ground wire.b) Connect the <u>remote switch's red</u> battery clamp to the positive (+) terminal of the battery.c) Connect the <u>remote switch's black</u> battery clamp to the negative (-) terminal of the battery.d) Reconnect the vehicle battery ground wire. <p>WARNING: Always connect in this sequence to avoid possible shock.</p>
3. Connect remote switch to pump power cord	Connect the remote switch to the pump power cord: <p>Note: Make sure the power switch is in the OFF position on the remote switch.</p> 
4. Verify connection	Verify a complete connection has been made by checking with a DC voltmeter, or by <i>briefly</i> turning the <u>remote switch</u> to the ON position and listening for pump activation.

Assembly (continued)

<p>5. Attach sprayer to vehicle if you haven't yet</p>	<p>If you have not yet mounted the sprayer to your vehicle, do so at this time following the instructions in “Step Nine: Attach Sprayer to Vehicle”.</p>
<p>6. Disconnect after use</p>	<p>AFTER EACH USE, disconnect power to the sprayer by disconnecting the sprayer's <u>pump cord</u> from the <u>remote switch</u> – the <u>remote switch</u> may remain connected to the battery.</p> <p><i>NOTE: It is important to disconnect power to the sprayer when not in use for safety reasons. ALWAYS verify that the power has been disconnected or the remote switch is in the OFF position before adding chemicals or servicing.</i></p>
<p>7. To disconnect permanently</p>	<p>When it is necessary to disconnect the sprayer's <u>remote switch</u> from the battery, use the following procedure:</p> <ol style="list-style-type: none"> 1. Disconnect <u>sprayer's pump cord</u> from the <u>remote switch</u>. 2. Disconnect the <u>remote switch</u> from the vehicle battery as follows: <ol style="list-style-type: none"> a) Disconnect vehicle battery ground wire. b) Disconnect the <u>remote switch's black</u> battery clamp from the <i>negative(-)</i> terminal of the vehicle battery. c) Disconnect the <u>remote switch's red</u> battery clamp from the <i>positive(+)</i> terminal of the vehicle battery. d) Reconnect the vehicle battery ground wire. <p>WARNING: Always disconnect in this sequence to avoid possible shock.</p> <p><i>(Remember that on some vehicle models, you may need to remove the sprayer to access the battery)</i></p>

Step Eleven: Check and test completed assembly.

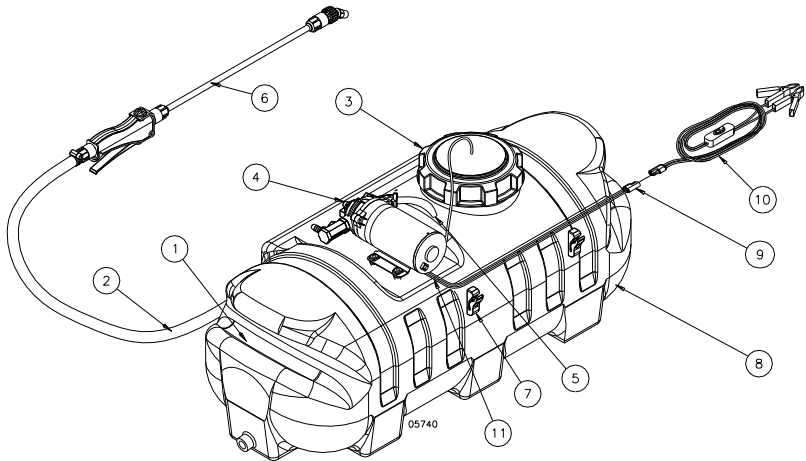
WARNING

Check and test completed assembly

Serious injury could result from chemical leaks if sprayer is improperly assembled or the design of the sprayer is modified. Follow the steps below to ensure the sprayer is properly assembled. Never modify the sprayer design.

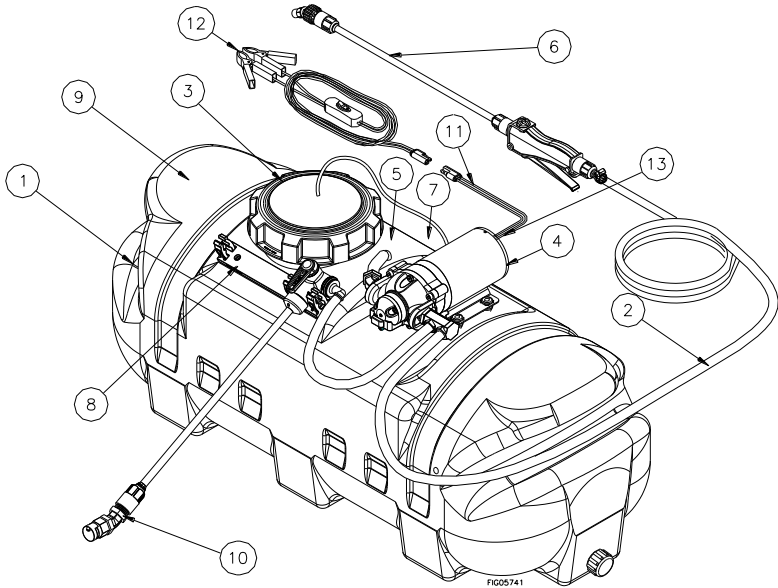
<p>1. Check assembly</p>	<p>Check assembly to assure the sprayer is properly assembled and in safe working condition:</p> <ol style="list-style-type: none"> a) Check that the gun clip screws are tight, hose clamps are secure, and tank straps are properly fastened. b) While it is unlikely that factory-assembled components become loose, they should also be checked to make sure they are tight.
<p>2. Test with water</p>	<p>Test the system for leaks with water:</p> <ol style="list-style-type: none"> a) Fill the tank with water. b) Connect the remote switch to the pump power cord and turn the remote switch ON. The pump is an “on demand” pump. When turned on, the pump will prime itself, then turn off. When the gun trigger is squeezed, the pump will automatically start. c) Operate the spray gun by squeezing the gun trigger. d) Check for leaks throughout the system. If a leak is detected, fix the leak and re-test the system with water until no leaks are detected.

Machine Components (Model # 2681022, 26810011, 2681201)



1. **Hose Wrap.** The hose wrap is built into the tank and provides a storage location for the gun hose
2. **Gun Hose.** The gun hose transfers chemical from the pump to the spray gun.
3. **Fill Cap.** The fill cap has a vent to allow air to enter the tank as the chemical is dispensed.
4. **Sprayer Pump.** The sprayer pump makes the chemical flow to the spray gun and the nozzle.
5. **Suction Tube.** The suction tube is the inlet line for the pump. The suction tube has a suction strainer to prevent debris from entering the pump.
6. **Spray Gun.** Use the spot spray gun to apply chemical to specific areas. The spray pattern is adjustable from stream to cone by twisting the spray nozzle (see Operation Instructions). When the remote switch is in the ON position, the spray gun trigger is the pump ON/OFF control. Squeeze the trigger and the pump turns on, let go and the pump turns off.
7. **Lance Clips.** Use the gun clips to store the spray gun.
8. **Sprayer Tank.** The sprayer tank holds the chemical.
9. **Pump Power Cord.** The pump power cord connects the sprayer pump to the remote switch. It should be disconnected when the sprayer is not in use.
10. **Remote Switch.** The remote switch connects the battery to the pump power cord and allows the operator to turn the sprayer pump on and off. The remote switch may be left connected to the battery when the sprayer is not in use.
11. **Fuse.** The pump motor is protected by an automotive style blade fuse.

Machine Components (Model # 2681101, 26812101)



1. **Hose Wrap.** The built-in hose wrap provides a storage location for the gun hose on the tank.
2. **Gun Hose.** The 15 foot gun hose transfers chemical from the pump to the spray gun.
3. **Fill Cap.** The fill cap has a vent to allow air to enter the tank as the chemical is dispensed.
4. **Sprayer Pump.** The sprayer pump makes the chemical flow to the spray gun and the nozzle.
5. **Suction Tube.** The suction tube is the inlet line for the pump. The suction tube has a suction strainer to prevent debris from entering the pump.
6. **Spray Gun.** Use the spot spray gun to apply chemical to specific areas. The spray pattern is adjustable from stream to cone by twisting the spray nozzle (see Operation Instructions). When the remote switch is in the ON position, the spray gun trigger is the pump ON/OFF control. Squeeze the trigger and the pump turns on, let go and the pump turns off.
7. **Lance Clips.** Use the gun clips to store the spray gun.
8. **Broadcast Bracket.** The broadcast bracket holds the broadcast lance for broadcast spraying. The bracket has a storage location for the lance when it is not in use.
9. **Sprayer Tank.** The sprayer tank holds the chemical.
10. **Broadcast Lance.** The broadcast lance sprays a wide pattern to broadcast spray chemical.
11. **Pump Power Cord.** The pump power cord connects the sprayer pump to the remote switch. It should be disconnected when the sprayer is not in use.
12. **Remote Switch.** The remote switch connects the battery to the pump power cord and allows the operator to turn the sprayer pump on and off. The remote switch may be left connected to the battery when the sprayer is not in use.
13. **Fuse.** The pump motor is protected by an automotive style blade fuse.

Operation – Important Safety Information

Now that you have completed and tested your assembly, there is some important safety and health information you need to know with regard to handling and spraying chemicals, as well as vehicle handling with the sprayer attached.

WARNING

Carefully read and make sure you understand the following safety information before using the sprayer.

General Chemical Safety:

WARNING

- Pesticides are hazardous chemicals.
- Heed the warnings below and follow all instructions carefully.
- Improper handling of chemicals can result in serious injury or illness, or cause damage to the environment.

- **Chemical label.** ALWAYS READ and FOLLOW all chemical label instructions.
- **Licensing/regulation.** Refer to any applicable licensing restrictions or state/federal regulations with regard to the application of the particular chemical you plan to use.
- **Emergency procedures.** Before handling chemicals, carefully review the “[Chemical Accident Procedures](#)” listed later in this section, as well as the “Statement of Practical Treatment” on the chemical label.
- **Inhalation/contact.** ALWAYS take precautions to avoid inhaling or coming into contact with the chemical.
- **Personal protective equipment.** ALWAYS wear protective clothing, eye protection, and chemical-resistant gloves when filling, using and cleaning the sprayer. Wear additional protective gear (such as facemask or apron) as recommended on the chemical label.
- **Children/pets.** Pesticides can be especially toxic to children and animals. ALWAYS exercise extra caution around children. Keep sprayer and all spray materials away from children and animals.
- **Ventilation.** ALWAYS ensure there is adequate ventilation when mixing, pouring, or spraying.
- **Flammables.** NEVER use any flammable chemicals in the sprayer.
- **Corrosives.** DO NOT use corrosive chemicals in the sprayer. They can weaken the sprayer and its parts, resulting in leaks. Check with the chemical manufacturer to ensure chemical is compatible with all components of the sprayer.
- **Chemical interaction.** ALWAYS flush the sprayer before switching chemicals. Different chemicals may interact dangerously with each other.
- **Chemical storage.** ALWAYS store pesticides in a properly labeled container and in a secure location per the manufacturer’s recommendations.
- **Health monitoring.** Monitor the health of operators who are frequently exposed to pesticides, as recommended by the chemical label or local/federal regulations.

Operation – Important Safety Information (continued)

Chemical Application Safety:

WARNING

Caution must be used when spraying chemicals to avoid unsafe exposure to humans and the environment.

Heed the warnings below and follow all instructions carefully.

Before Spraying

- **Sprayer prep.** ALWAYS inspect and prepare the sprayer before use according to the directions provided in this manual.
- **Keep sprayer off.** Do not turn on power to the sprayer until ready to spray in order to avoid unintentional spray release.
- **Broadcast nozzle down.** Make sure broadcast nozzle is oriented to spray straight down before starting the sprayer. An incorrectly positioned broadcast nozzle may spray chemicals on you or others
- **Wind speed.** NEVER spray when wind speed exceeds 4 MPH in order to minimize spray drift.
- **Clear area/post.** ALWAYS keep the work area clear of people and pets. POST warning notices to restrict access by the public for the period recommended on chemical label.
- **Operator age.** You must be 16 years of age or older to operate this sprayer. Pesticides are especially toxic to children.

During Spraying

- **Over-application.** DO NOT over-apply pesticide. Apply at a rate recommended by chemical manufacturer. Excess pesticide can be dangerous to humans, damage desirable plants, and contaminate soil and water sources.
- **Never point gun.** NEVER point the spray gun at people or animals.
- **Children/pets.** ALWAYS exercise extra caution when spraying near areas accessible to children and pets.
- **Eating/smoking.** DO NOT eat, drink, smoke, rub your eyes, or touch any part of your bare skin while handling chemicals and spraying.
- **Heat/flames.** DO NOT spray near open flames or sources of heat.
- **Spills.** ALWAYS clean up spills immediately per instructions on the chemical label.
- **Unattended.** ALWAYS turn off vehicle and set brake or block wheels, turn off power to sprayer, and relieve system pressure before leaving sprayer unattended.
- **Troubleshooting.** ALWAYS refer to the safety instructions in the Troubleshooting Section before attempting any repairs.

After Spraying

- **Clean sprayer.** ALWAYS clean the sprayer immediately after use according to the directions provided in this manual.
- **Decontaminate.** ALWAYS decontaminate yourself immediately after you are finished spraying and handling chemicals. Wash all exposed areas of the body with soap and water and remove and launder clothing.
- **Chemical disposal/storage.** ALWAYS dispose of or store remaining chemicals properly as recommended on the chemical label.

Operation – Important Safety Information (continued)

ATV Vehicle Handling Safety:

WARNING

Serious injury can occur if the ATV on which the sprayer is mounted is driven unsafely.

- **Driver age.** You must be 16 years of age or older to operate the ATV with the sprayer attached.
- **Less stable.** Be aware that all vehicle handling will be affected with the filled sprayer attached. See your ATV's warning label for the hazards associated with driving:
 - Too fast
 - On paved surfaces
 - On inclines or rough terrain.
- *These hazards will be increased drastically as a result of the additional weight and location of the filled sprayer.* The center of gravity will be higher and weight distribution different, causing the ATV to be less stable when braking, turning, and driving. Exercise extra caution in vehicle handling. Use particular caution on sloped or rough surfaces in order to prevent rollover. A vehicle equipped with Roll Over Protection System (ROPS) is recommended if you will be operating on non-level terrain.
- **Speed limit.** DO NOT exceed 5 mph with sprayer mounted on ATV.
- **Ride/transport.** NEVER ride or transport cargo on the sprayer.

Chemical accident procedures:

WARNING

Before you fill the sprayer, review the following information with regard to handling accidents.

Chemical spills, sprayer leaks, personal contamination, and poisoning are accident situations which you may encounter. **All require an immediate response – See instructions below.**

Sprayer leak

In the event that the sprayer develops a leak while spraying chemicals, you must *immediately stop spraying.*

Turn off power to the sprayer and follow the directions below, as applicable.

Bodily chemical contact

Personal contamination can occur when chemicals splash, spill, or spray directly onto a person.

1. Follow the emergency first aid instructions on the chemical label listed in the "First Aid" or "Statements of Practical Treatment" section.
General procedures include:
 - a) Eyes – immediately flush with water or follow other directions as specified on the chemical label.
 - b) Skin – immediately wash all contaminated skin surfaces with soap and water, or follow directions as specified on the chemical label.
 - c) Clothing – remove contaminated clothing immediately. Dispose of heavily contaminated clothing per the instructions on the chemical label for safe chemical/container disposal.

Operation – Important Safety Information (continued)

2. Seek medical advice if instructed on the label, or if the victim experiences symptoms of harmful effects such as burning, swelling, nausea, chest pain, difficulty breathing, dizziness or confusion. When seeking medical advice, be sure to bring the chemical product label.

Poisoning by ingestion or inhalation

In case of poisoning from ingestion or inhalation:

IF THE VICTIM HAS COLLAPSED OR IS NOT BREATHING, **CALL 911**. Otherwise:

1. If you are the victim, immediately seek assistance from nearby personnel because you may become incapacitated.
2. Follow the emergency first aid instructions on the chemical label in the “First Aid” or “Statement of Practical Treatment” section.
3. Call a poison control center for further advice. **In the U.S., call 1-800-222-1222 to be automatically linked to the nearest certified poison control center.** Have the chemical label available for reference.

Chemical spills

Chemical spills must be quickly contained and properly cleaned up.

Refer to the chemical label for any specific cleanup instructions with regard to the chemical spilled.

General procedures include:

1. **Control** the spill by stopping the source of the spill. If the source of the spill is a container leak, place the leaking container in a larger, watertight container. Keep unprotected people away from the spill site.
2. **Contain** the spill so that it does not spread and get into water sources. Use a shovel or other tool to make a dike around the spill with soil, sod, or absorbent material.
3. **Clean up** the spill immediately -- Absorbent materials like ground corncobs or pet litter should be spread on the spill area to soak up the pesticide. The contaminated material should then be shoveled into a leak-proof container. Do not flush the spill area with water until you receive advice as directed below.
4. **Seek additional advice** from the chemical manufacturer and your state’s pesticide regulatory agency regarding decontamination of the spill site:
 - *Chemical manufacturer.* The chemical label provides contact information for the chemical manufacturer.
 - *State pesticide regulatory agency.* In the U.S., call the National Pesticide Information Center at 1-800-858-7378 for assistance in determining how to contact your state’s pesticide regulatory agency.

Operation – Preparing the Sprayer for Each Use

If the sprayer has been used previously, it must be prepared BEFORE EACH SUBSEQUENT USE.

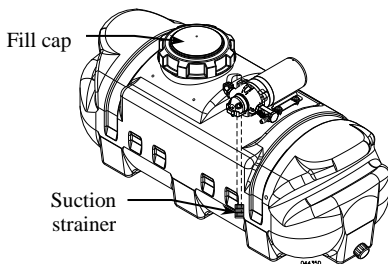
⚠ WARNING

Read instructions below carefully for inspecting and preparing the sprayer. Damaged or clogged equipment could result in leaks or uncontrolled spray. Leaks could result in injury to the operator or bystanders from chemical exposure, or cause damage to the environment.

Important safety rules:

- **Power off.** Make sure all power is OFF before cleaning, inspecting, or servicing the sprayer.
- **Guards / shields.** Make sure all guards and shields are replaced after servicing the sprayer.
- **Replacement parts.** If a part needs replacement, only use parts that meet the manufacturer’s specifications. Replacement parts that do not meet specifications may result in a safety hazard or poor operation of the sprayer.

1. Ensure sprayer attached	Ensure the sprayer is securely attached to the vehicle.
2. Ensure tank empty	Ensure the sprayer has been thoroughly flushed and drained of all residual chemical from prior uses.
3. Clean suction strainer	<p>Clean the suction strainer of any chemical residue.</p> <p>It is important to clean the suction strainer before each use to ensure it is not clogged and to prevent residual chemical from contaminating sprayer contents.</p> <p>IMPORTANT: The strainer must be accessed by reaching into the tank, so the <i>tank must be empty</i> to avoid immersing your hand in chemicals.</p> <ol style="list-style-type: none"> a) Open fill cap on top of tank. b) USING RUBBER GLOVES, reach into the tank and pull the suction strainer off the end of the suction tube. (See figure below.) c) Run the suction strainer under fresh water to remove debris. d) Replace the suction strainer onto the end of the suction tube.
4. Inspect & repair	<p>Inspect and test the sprayer thoroughly:</p> <ol style="list-style-type: none"> a) Inspect hoses for exposed mesh and holes. Replace all worn or damaged hoses. b) Inspect tank and fittings for cracks and leaks. Replace all damaged fittings with original NorthStar parts. c) Check to be sure retaining nut on gun nozzle is tight. d) Check to be sure all other nuts, bolts, and screws are tight. e) Check wheels and tires, if equipped. Make sure wheel lugs are tight and tires are inflated. f) <i>Partially fill tank with plain water and spray to test for leaks.</i> Repair as needed. <p>IMPORTANT: <i>After any repair work has been done, ALWAYS test for leaks with water one final time before using.</i></p>



Operation – Using the Sprayer

Step One: Assess wind conditions and clear work area.

Before you decide to spray, you must determine whether wind conditions are suitable. You must also restrict access to the work area to ensure the safety of bystanders.

⚠ WARNING

Do not spray if wind speeds are greater than 4 MPH or if there are bystanders in the intended spray area.

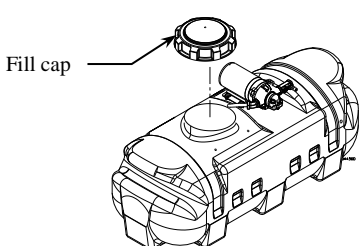
1. Assess wind speed	<p>Assess weather conditions to ensure that it is not too windy to spray.</p> <p>DO NOT SPRAY if wind speeds are greater than 4 MPH.</p> <p><i>Visible indication of wind speed:</i> If leaves are in constant motion or there is any branch movement, DO NOT spray because the wind is too strong.</p>
2. Clear work area	<p>Clear the work area of all bystanders and pets.</p> <p>Restrict access by the public for the period recommended on chemical label.</p>

Step Two: Fill the sprayer.

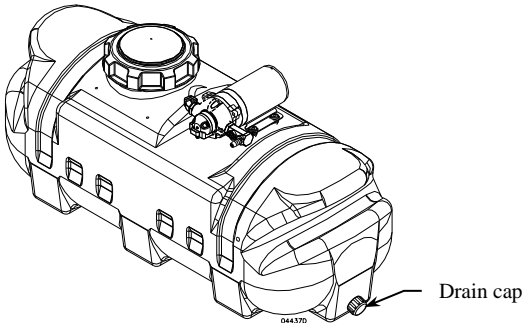
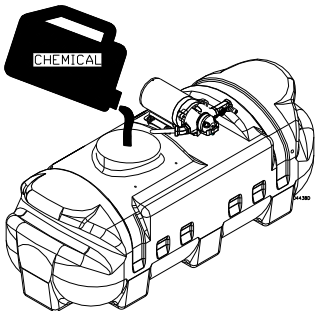
⚠ WARNING

ALWAYS wear personal protective equipment as directed on the chemical label when handling pesticides.
Long pants and sleeves, chemical resistant gloves, and eye protection are strongly recommended.
Additional protective gear may be required depending on the particular pesticide.

Fill the sprayer using the following steps:

1. Review safety information	<p>Review the “Operation – Important Safety Information” related to <u>General Chemical Safety</u> and <u>Chemical Accident Procedures</u> provided in this manual.</p>
2. Choose safe mixing/loading area	<p>Choose a safe pesticide mixing and loading area.</p> <ul style="list-style-type: none"> - Choose an outdoor, well-ventilated area away from unprotected people, animals, food, and other items that might become contaminated.
3. Wear personal protective equipment	<p>Wear personal protective equipment as directed on the chemical label.</p> <ul style="list-style-type: none"> - Note that additional equipment may be specified for mixing and loading activities.
4. Turn off sprayer and vehicle	<p>Turn OFF power to the sprayer before filling.</p> <ul style="list-style-type: none"> - The vehicle should also be off, with brake set or wheels blocked to prevent unintended movement.
5. Remove fill cap	<p>Remove the fill cap located on top of the sprayer.</p> <div style="text-align: center; margin-top: 20px;">  <p style="margin-left: 100px;">Fill cap</p> </div>

Operation – Using the Sprayer (continued)

6. Ensure tank flushed	<p>Ensure tank is flushed of all chemicals from prior uses.</p> <p>- Chemicals can interact dangerously when mixed, and residue chemicals are also a health hazard.</p>
7. Check drain cap	<p>Before filling tank, ensure drain cap is securely tightened.</p> <div style="text-align: center; margin-top: 10px;">  <p style="text-align: right; margin-right: 50px;">Drain cap</p> </div>
8. Fill tank	<p>Add pesticide to tank through fill cap:</p> <ol style="list-style-type: none"> 1. Confirm the chemical/water dilution ratios specified on the chemical label. 2. Determine chemical and water volumes needed for the planned application, taking into consideration that maximum tank capacity is 10 gallons for Item# 2681022. 16 gallon tank capacity for Item# 26810011 and 2681101. 26 gallon tank capacity for Item# 2681201 and 26812101. <i>Note: Only purchase and mix as much chemical as you need for the planned application in order to minimize chemical over-application and the need for storing unused chemicals.</i> 3. Add chemical to the tank through the fill cap. <i>If the chemical is not pre-mixed, add water and pesticide concentrate in the order prescribed on the label.</i> <div style="text-align: center; margin-top: 20px;">  </div>
9. Ensure chemical mixed	<p>Ensure chemical is thoroughly mixed in tank.</p> <p>- Stirring device should be made of metal or plastic, non-chemical absorbing material, and then properly cleaned and stored after use.</p>
10. Replace fill cap	<p>Replace fill cap and tighten securely.</p>

Operation – Using the Sprayer (continued)

ATTENTION

Models 2681022, 26810011, and 2681201 continue with **Step 3.1**.
Models 2681101 and 26812101 continue with **Step 3.2**.

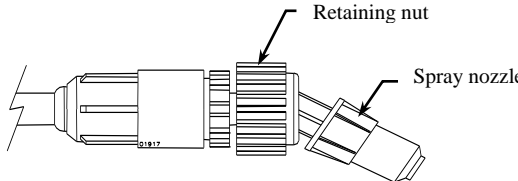
Step 3.1: Operate the sprayer. (Models 2681022, 26810011, and 2681201)

WARNING

ALWAYS wear personal protective equipment as directed on the chemical label when spraying. Long pants and sleeves, chemical-resistant gloves, and eye protection are strongly recommended. Additional protective gear may be required depending on the particular pesticide. The motor surface temperature can reach temperatures over 70° C. In order to avoid scalding, wear gloves during operation of the sprayer.

1. Review safety information	Review the “ Operation – Important Safety Information ” related to Chemical Application Safety and ATV Vehicle Handling Safety provided in this manual.
2. Wear personal protective equipment	Wear personal protective equipment as directed on the chemical label.
3. Turn on power	<p>Turn on the power to the sprayer.</p> <ol style="list-style-type: none"> 1. Verify the remote switch is connected to the pump power cord. 2. Turn the remote switch to the “ON” position. <p><i>Note: The pump will start automatically when power is turned on. The pump will cycle on and off as needed to retain pressure in the hose.</i></p>
4. Begin agitation if needed	<p>Some formulations of liquid pesticides do not remain in solution and should be agitated to maintain a uniform mix.</p> <p>An optional <i>pressure regulator/agitator</i> (Item #2681032) is available for use with this sprayer. This should be used when spraying pesticides classified as “flowable” (“F” or “L”), “wettable powder” (“WP” or “W”), “emulsion” (“EC” or “E”), “microencapsulated” (“M”), or water dispersible granules (“WDG” or “DF”). (See pesticide label to determine its classification.)</p> <p>Contact NorthStar Product Support at 1-800-270-0810 for any questions about the appropriate use of the sprayer and/or optional accessories.</p>

Operation – Using the Sprayer (continued)

<p>5. Squeeze trigger & adjust nozzle</p>	<p>To spray, squeeze the gun trigger.</p> <ul style="list-style-type: none"> - Twist the spray nozzle to adjust from a straight stream to hollow cone spray pattern, as recommended on the chemical label for proper delivery rate. <p><i>Note: It is not unusual for the operator to be exposed to chemical drips while adjusting the nozzle – gloves should be chemical resistant.</i></p> <div style="text-align: center; margin-top: 10px;">  </div>
<p>6. Leaving unattended</p>	<p>If the sprayer must be left unattended at any time:</p> <ol style="list-style-type: none"> a) Disconnect power to the sprayer. b) Relieve system pressure by depressing the gun trigger. c) Turn off the vehicle. Set brake or block the wheels.
<p>7. Discontinue use if clogged or inoperative</p>	<p>If the sprayer becomes clogged or inoperative during use, <i>discontinue use immediately.</i></p> <ul style="list-style-type: none"> - DO NOT attempt to service while chemicals are in the sprayer and power is connected. - Return to service area to review instructions for troubleshooting before attempting to service.

Note: A reserve, clean container capable of holding at least 10 gallons (Model # 2681022) or 16 gallons (Model # 26810011) or 26 gallons (Model # 2681201) should be kept for use when the sprayer tank needs to be emptied temporarily for repairs. It is advisable to purchase a reserve tank suitable for pesticide storage from Northern Tool + Equipment for use in these circumstances. The container should be properly labeled as to its contents if it is used.

Step 3.2: Operate the sprayer. (Models 2681101 and 26812101)

⚠ WARNING

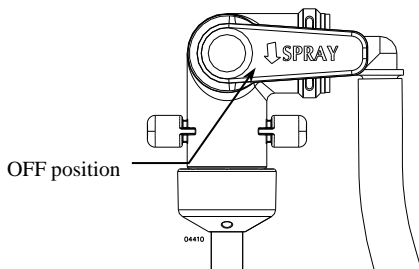
ALWAYS wear personal protective equipment as directed on the chemical label when spraying. Long pants and sleeves, chemical-resistant gloves, and eye protection are strongly recommended. Additional protective gear may be required depending on the particular pesticide. The motor surface temperature can reach temperatures over 70° C. In order to avoid scalding, wear gloves during operation of the sprayer.

<p>1. Review safety information</p>	<p>Review the “Operation – Important Safety Information” related to Chemical Application Safety and ATV Vehicle Handling Safety provided in this manual.</p>
<p>2. Wear personal protective equipment</p>	<p>Wear personal protective equipment as directed on the chemical label.</p>

Operation – Using the Sprayer (continued)

3. Close broadcast valve

Turn the broadcast nozzle to the off position.



4. Turn on power

Turn on the power to the sprayer.

1. Verify the remote switch is connected to the pump power cord.
2. Turn the remote switch to the “ON” position.

Note: The pump will start automatically when power is turned on. The pump will cycle on and off as needed to retain pressure in the hose.

5. Begin agitation if needed

Some formulations of liquid pesticides do not remain in solution and should be agitated to maintain a uniform mix.

An optional *pressure regulator/agitator* (Item #2681032) is available for use with this sprayer. This should be used when spraying pesticides classified as “flowable” (“F” or “L”), “wettable powder” (“WP” or “W”), “emulsion” (“EC” or “E”), “microencapsulated” (“M”), or water dispersible granules (“WDG” or “DF”). (See pesticide label to determine its classification.)

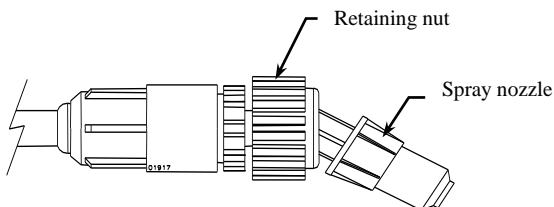
Contact NorthStar Product Support at 1-800-270-0810 for any questions about the appropriate use of the sprayer and/or optional accessories.

6. Squeeze trigger & adjust nozzle

To spray, squeeze the gun trigger.

- Twist the spray nozzle to adjust from a straight stream to hollow cone spray pattern, as recommended on the chemical label for proper delivery rate.

Note: It is not unusual for the operator to be exposed to chemical drips while adjusting the nozzle – wear chemical resistant gloves.



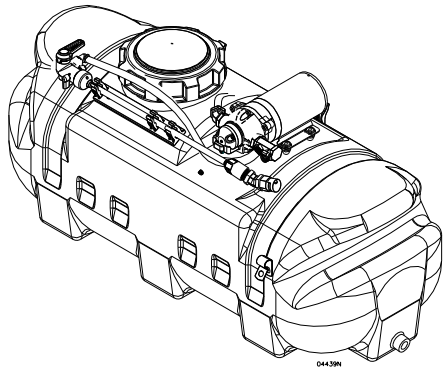
Operation – Using the Sprayer (continued)

7. Operate broadcast spraying system

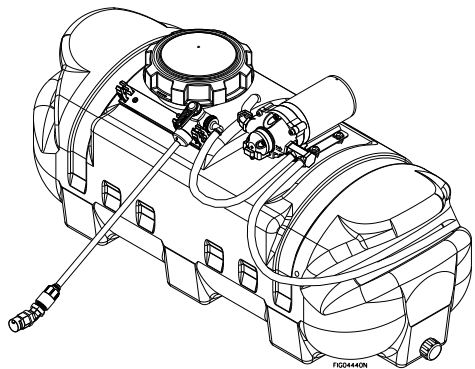
A. Move broadcast lance into the broadcast position

Ensure power to the pump is off, then lift the broadcast lance out of its stored position and click the lance into its broadcast position.

Stored position

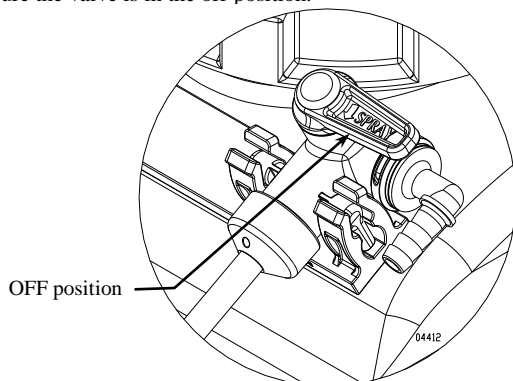


Broadcast position



B. Locate broadcast lance valve

Ensure the valve is in the off position.

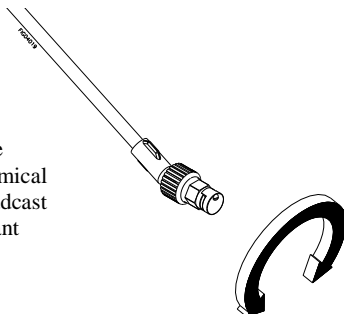


Operation – Using the Sprayer (continued)

C. Ensure correct spray pattern

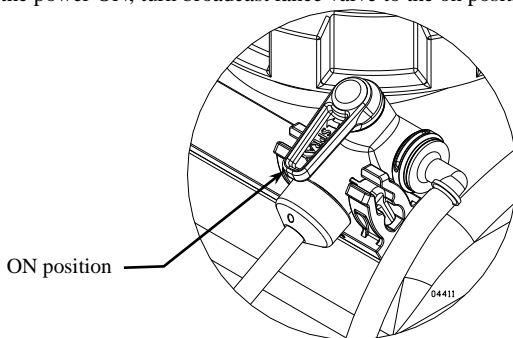
Rotate the broadcast nozzle, if needed, so that the spray pattern is pointed down and evenly distributed.

Note: It is not unusual for the operator to be exposed to chemical drips while adjusting the broadcast nozzle. Wear chemical resistant gloves.



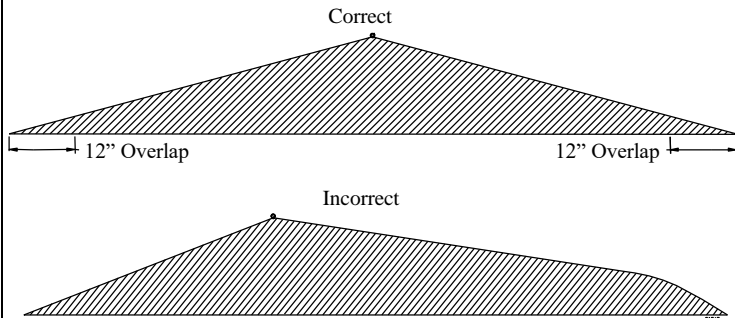
D. Begin to spray

Turn the power ON, turn broadcast lance valve to the on position.



E. Ensure uniform coverage

To ensure proper coverage, overlap the ends of the spray pattern 12". Use the tables in Appendix A to determine what speed to drive your vehicle for the desired application rate.



IMPORTANT: Make sure broadcast nozzle is oriented to spray straight down before you start. An incorrectly positioned broadcast nozzle may spray chemicals on you or others.

Operation – Using the Sprayer (continued)

NOTE!!	Broadcast lance and spot spray gun can be used simultaneously. Use the spot spray gun if you desire to apply pesticide only on selected plants. Use the broadcast nozzle if you wish to spray large ground areas.
7. Leaving unattended	<p>If the sprayer must be left unattended at any time:</p> <ul style="list-style-type: none"> d) Disconnect power to the sprayer. e) Relieve system pressure by depressing the gun trigger. f) Turn off the vehicle. Set brake or block the wheels.
8. Discontinue use if clogged or inoperative	<p>If the sprayer becomes clogged or inoperative during use, <i>discontinue use immediately.</i></p> <ul style="list-style-type: none"> - DO NOT attempt to service while chemicals are in the sprayer and power is connected. - Return to service area to review instructions for troubleshooting before attempting to service.

Note: A reserve, clean container capable of holding at least 10 gallons (Model # 2681022), 16 gallons (Model # 2681101), or 26 gallons (Model # 26812101) should be kept for use when the sprayer tank needs to be emptied temporarily for repairs. It is advisable to purchase a reserve tank suitable for pesticide storage from Northern Tool + Equipment for use in these circumstances. The container should be properly labeled as to its contents if it is used.

Operation – Using the Sprayer (continued)

Step Four: Clean sprayer and decontaminate after use.

When done using the sprayer, it is important to clean the sprayer and decontaminate yourself. Do not store the sprayer with chemicals in the tank, as it is unsafe and could also result in damage to the equipment.

WARNING

Cleanup and decontamination procedures must be followed after each use.

Improper equipment cleanup and disposal of chemicals can result in dangerous chemical exposure to humans and the environment, as well as equipment damage.

Personal decontamination is required after spraying to minimize unsafe exposure to chemicals and potential illness.

1. Drain tank	<p>If there is excess pesticide left in the tank, drain the tank:</p> <ul style="list-style-type: none"> a) Disconnect power to the sprayer and relieve system pressure by depressing the gun trigger. b) Find a suitable container in which to drain the unused pesticide. Place it under the tank drain hole. c) While wearing rubber gloves, eye protection, and all other required personal protective equipment, remove the drain cap and allow pesticide to drain into container. d) When tank stops draining, replace drain cap. Tighten securely.
2. Unused chemical	<p>Properly store or dispose of unused chemical:</p> <ul style="list-style-type: none"> a) <u>If the unused pesticide is to be stored for future use:</u> Store all unused pesticide in its original, or a suitably marked, container in a secure location out of the reach of children & animals. b) <u>If remaining pesticide is to be disposed:</u> Properly dispose of the remaining chemical and its container per the chemical manufacturer's recommendation and according to local hazardous waste disposal regulations.
3. Flush sprayer	<p>Flush the sprayer per the chemical manufacturer's recommendations. A general procedure is as follows:</p> <ul style="list-style-type: none"> a) Add fresh water to the tank. b) Reconnect power to the sprayer. c) Operate the spray gun and discharge all rinse water onto an area that can accept dilute pesticide application. d) Add 5 gallons of the chemical manufacturer's recommended cleaning solution. Operate the spray gun, collecting the discharged solution if recommended by the manufacturer. e) After flushing, disconnect power to the sprayer and be sure all system pressure is relieved by squeezing the gun trigger. f) Dispose of cleaning solution discharge as recommended by the manufacturer of the solution.
4. Decontaminate & launder	<p>Decontaminate yourself after you are finished handling chemicals:</p> <ul style="list-style-type: none"> a) Remove all clothing worn during spraying and chemical handling. b) Wash all exposed parts of the body with soap and water. c) Launder clothing separately from other wash.

Storage

When not in use, store the sprayer indoors. For long term or winter storage, prepare the sprayer by running RV antifreeze through the system. This will keep internal parts lubricated, protect against corrosion, and keep the unit from freezing.

CAUTION

The sprayer will be damaged if it freezes.

Protect the sprayer from freezing during storage by following the instructions below.

Preparing for storage:

1. Add antifreeze	Pour 1 gallon of RV antifreeze into the tank. <i>Note: RV antifreeze is non-toxic and biodegradable and generally safer for the environment than automotive antifreeze.</i>
2. Spray briefly	Turn on the pump motor and squeeze the gun trigger briefly until fluid sprays. Store gun in lance clips. If equipped, store broadcast lance in stored position to prevent damage.

Removing from storage:

1. Drain	Drain the antifreeze left in the tank through the tank drain hole into a suitable container.
2. Flush with water	Fill the tank with fresh water and run through the system. Operate the spray gun until the system is completely flushed. Be sure to set up containers to capture the antifreeze flush water.
3. Disposal	Dispose of the antifreeze and flush water properly.

Troubleshooting

⚠ WARNING

Before troubleshooting or attempting to service, read the following safety rules to avoid accidental exposure to chemical and also risk of electric shock.

Note: A reserve, clean container capable of holding at least 10 gallons (Model #2681022) or 16 gallons (Model # 26810011 or 2681101) or 26 gallons (Model # 2681201 or 26812101) should be kept for use when the sprayer tank needs to be emptied temporarily for repairs. It is advisable to purchase a reserve tank suitable for pesticide storage from Northern Tool + Equipment for use in these circumstances. The container should be properly labeled as to its contents if it is used.

Before attempting to service the sprayer:

1. Personal protective equipment	Wear personal protective equipment as directed on the chemical label while servicing your sprayer.
2. Review troubleshooting table	Review the Troubleshooting Table below for the type of problem you are experiencing. However, DO NOT attempt to repair until the steps listed below are followed.
3. Empty and flush	Empty the tank and flush the sprayer with water as directed in the section, “Operation – Step Four”. <i>- In order to avoid accidental exposure to chemicals, never attempt to service the sprayer until the tank has been emptied and the sprayer flushed with water.</i>
4. Disconnect power/relieve pressure	Disconnect power to the sprayer and be sure all system pressure is relieved by squeezing the gun trigger.
5. Perform repairs	Follow the directions provided in the troubleshooting table to repair the sprayer. <i>NOTE: Never try to unclog the sprayer nozzle by blowing through it.</i>
6. Test after servicing	After servicing, ALWAYS test the sprayer for leaks with plain water before using.

PROBLEM	CAUSE	SOLUTION
Pump will not turn on	Bad electrical connection	Check battery connections
	Fuse blown	Replace fuse
	Short in wires	Check condition of wires
	Low voltage	Check voltage
Low pressure	Worn spray gun nozzle	Replace spray gun
	Worn boom nozzle	Replace boom nozzle
Low flow	Clogged intake tube	Remove obstruction
	Clogged suction strainer	Clean suction strainer
	Low voltage	Check voltage
Poor spray distribution	Clogged intake tube	Remove obstruction
	Suction strainer clogged	Clean suction strainer
	Worn spray gun nozzle	Replace spray gun
Pump cycles while not spraying	Leak in the system	Tighten leaking hose clamps or fittings, replace spray gun

Specifications

Electrical System Requirements

Electrical connection.....	12 VDC
Amp draw from pump	
Models #26810011, 2681201, 2681101, 26812101.....	8.0 Amps (max)
Model #2681022.....	4.0 Amps (max)

Sprayer Specifications

Maximum GPM	
Models #26810011, 2681201, 2681101, 26812101.....	2.2 GPM (8.3 Liters/min.)
Model # 2681022.....	1.0 GPM (3.8 Liters/min.)

Maximum Pressure

Models #26810011, 2681201, 2681101, 26812101.....	70 PSI (4.8 Bar)
Model # 2681022.....	40 PSI (2.76 Bar)

Tank Maximum Capacity

Models #2681022.....	10 Gallons (38 Liters)
Models #26810011, 2681101.....	16 Gallons (61 Liters)
Models #2681201, 26812101.....	26 Gallons (98 Liters)

Overall Dimensions (L x W x H)

Models #2681022.....	28.0" x 13.0" x 12.0" (71.1cm x 33.0cm x 30.5cm)
Models #26810011, 2681101.....	34.0" x 14.5" x 16.5" (86.4cm x 36.8cm x 41.9cm)
Models #2681201, 26812101.....	34.0" x 14.5" x 20.5" (86.4cm x 36.8cm x 52.1cm)

Dry Weight / Weight full of water

Models #2681022.....	9 lb. / 90 lb. (4.0 kg./41 kg.)
Models #26810011.....	17 lb. / 149 lb. (7.7 kg./67 kg.)
Models #2681101.....	18 lb. / 150 lb. (8.3 kg./68 kg.)
Models #2681201.....	21 lb. / 237 lb. (9.5 kg./107 kg.)
Models #26812101.....	22 lb. / 238 lb. (9.9 kg./108 kg.)

Broadcast Nozzle Specifications

Spray Width – 2681101, 2681201...	192 in. (488 cm)
Spray Overlap – 2681101, 2681201.	12 in. (30 cm)

Component Materials*

Tank.....	Polyethylene, EPDM
Suction Tube.....	Polypropylene, PVC, Stainless Steel
Hose.....	PVC (Max. Pressure 6.9Bar/100 psi)
Pump.....	Polypropylene, Viton®, Santoprene®, Stainless Steel
Valves.....	PVC, Buna-N
Gun and Nozzle.....	Nylon, Polyacetal, Aluminum

* Before using any chemical, check to ensure the chemical is compatible with all materials in the system.

The noise emissions from this product do not exceed 70 dB(A).

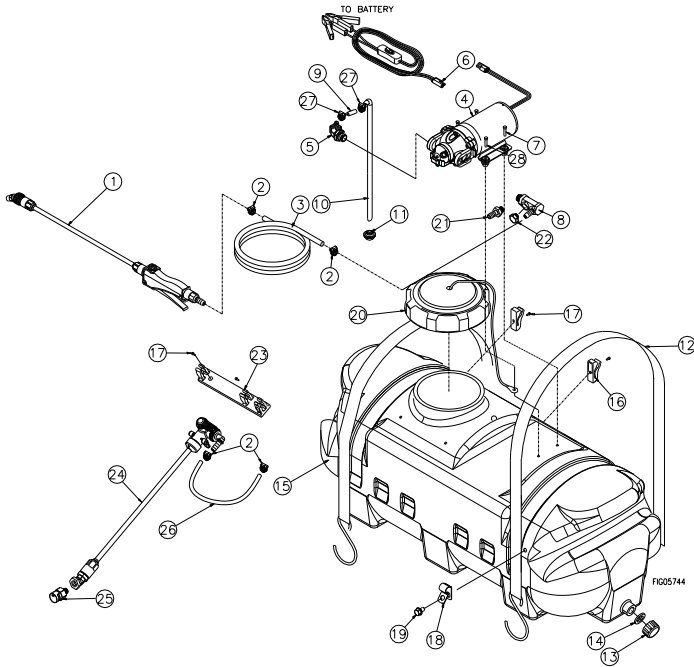
Note:

The sprayer is not compatible with bleach, chlorine or ice control chemicals. Also, pumping any petroleum based fluid (gasoline, diesel, kerosene, oil) will severely damage the pump.

The manufacturer reserves the right to make improvements in design and/or changes in specifications at any time without incurring any obligation to install them on units previously sold.

Any Questions, Comments, Problems or Parts Orders
Call NorthStar Product Support 1-800-270-0810

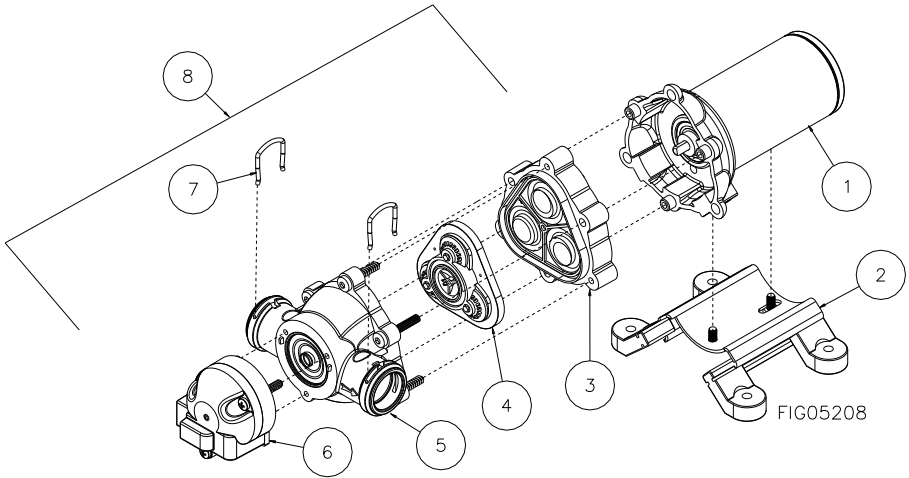
Exploded View–2681022/26810011/2681201/2681101/26812101–Rev F.2



Ref#	Part#	Description	Model	Qty
1	779769	Spray gun	All	1
2	30746	Hose clamp	2681022, 26810011, 2681201	2
			2681101, 26812101	4
3	793566	Gun hose	All	15.5 ft
4	2681042	Sprayer pump	2681022	1
	794992		26810011, 2681201, 2681101, 26812101	
5	787196	Inlet fitting	2681022	1
	787199		26810011, 2681201, 2681101, 26812101	
6	777493	Remote switch	All	1
7	780546	M5 x 15 mm	2681022	3
	82061	Screw, #10-24 x 1 1/8"	26810011, 2681101, 2681201, 26812101	
8	787196	Outlet fitting	2681022	1
	787200		26810011, 2681201, 2681101, 26812101	
9	30290	Suction hose	2681022	2.75"
	30160		26810011, 2681101, 2681201, 26812101	2.5"
10	780542	Suction tube	2681022	1
	779389		26810011, 2681101	
	779390		2681201, 26812101	
	780544		2681022	
11	35203	Suction strainer	26810011, 2681201, 2681101, 26812101	1
	5262		Tank straps	All

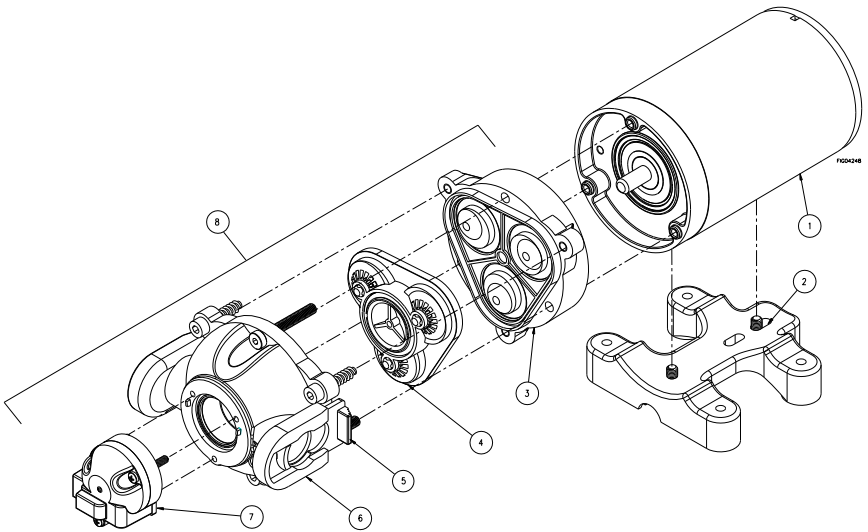
Ref#	Part#	Description	Model	Qty
13	37680	Drain cap	All	1
14	5232	Rubber washer	All	1
			791372	10 Gallon tank
15	782491	16 Gallon tank	26810011, 2681101	1
	782492	26 Gallon tank	2681201, 26812101	1
16	778560	Lance clip	All	2
	779779	M5 screw	2681022	2
17	82059	#10-24 x 1/2" Screw	26810011, 2681101, 2681201, 26812101	4
			2681022	1
18	777110	Hose guide	26810011, 2681101, 2681201, 26812101	1
			2681022	1
19	779779	M5 Screw	2681022	1
			82014	5/16-18 x 1/2" Bolt
20	792701	Tank Lid	All	1
21	779854	Broadcast fitting	2681101, 26812101	1
22	779859	Hex plug	26810011, 2681201	1
23	778358	Broadcast bracket	2681101, 26812101	1
24	788410	Broadcast lance	2681101, 26812101	1
25	36576	Broadcast nozzle	2681101, 26812101	1
26	30290	Broadcast hose	2681101, 26812101	24"
27	30746	Hose clamp	2681022	2
	777119		26810011, 2681101, 2681201, 26812101	
28	82619	M5 - 8 x 18 mm	2681022	1
	82617	Screw, #10-24 x 1 1/4"	26810011, 2681201, 2681101, 26812101	1
n/a	779319	Northstar decal	All	1

Exploded View & Parts List – 2681042 –Rev F.2



Ref#	Part#	Description	Qty
1	791427	Motor assembly	1
2	791634	Base plate assembly	1
3	790576	Diaphragm assembly	1
4	790584	Valve plate assembly	1
5	790589	Upper housing assembly	1
6	791635	Pressure switch assembly	1
7	788429	Quick connect clip	2
8	A2681042	Complete pump head assembly	1
N/A	791415	Replacement fuse	1

Exploded View & Parts List – 794992–Rev F.2



Ref#	Part#	Description	Qty
1	800132	Motor assembly	1
2	800428	Base plate assembly	1
3	794988	Diaphragm assembly	1
4	794989	Valve plate assembly	1
5	787015	Quick connect clip	2
6	787011	Upper housing assembly	1
7	786953	Pressure switch assembly	1
8	A2682272	Complete pump head assembly	1
N/A	787381	Replacement fuse	1

Accessories

	2681022	26810011	2681201	2681101	26812101
Pressure regulator/agitator kit (#2681032)	X	X	X	X	X
Broadcast adapter kit (#268721)	X				
14ft, 1-nozzle ATV broadcast kit (#268195)	X	X	X		
16ft, 2-nozzle ATV broadcast kit (#268719)		X	X		
7ft, 2-nozzle ATV boom kit (#268715)	X*	X	X	X	X
10ft, 3-nozzle ATV boom kit (#268716)	X*	X	X	X	X
14ft, 4-nozzle ATV boom kit (#2730111)	X*	X	X	X	X
12ft, 7-nozzle 2.0gpm ATV boom kit (#268717)		X	X	X	X

*Note: Adapter kit (#268721) is required to mount Model # 2681022 sprayer to broadcast kits.

Appendix A – Broadcast Spray Calibration Tables Models 2681101 & 26812101

Below are some guidelines to help you calibrate your broadcast sprayer. This is a very important step in operating the broadcast sprayer such that not too much or too little chemical is applied.

- Using **Table 1**, find a table that corresponds with the chemical manufacturer's suggested application rate (gallons per acre, gallons per 1000 sq. ft., or gallons per 100 sq. ft.).
- Find the application rate that is closest to the chemical manufacturer's recommendations.
- The speed to drive your ATV is listed below the application rates.

TABLE 1

Gallons per Acre (based on 36" spraying height and 14ft spray pattern)					
Application Rate	49.5	36	16.5	12	10
Speed To Drive	1 MPH	2 MPH	3 MPH	4 MPH	5 MPH

Gallons per 1000 Sq.Ft. (based on 36" spraying height and 14ft spray pattern)					
Application Rate	1.14	.83	.38	.28	.23
Speed To Drive	1 MPH	2 MPH	3 MPH	4 MPH	5 MPH

Gallons per 100 Sq.Ft. (based on 36" spraying height and 14ft spray pattern)					
Application Rate	.114	.083	.038	.028	.023
Speed To Drive	1 MPH	2 MPH	3 MPH	4 MPH	5 MPH

- Use **Table 2** to choose the throttle setting on your ATV.

TABLE 2

Speed (MPH)	Time required in seconds to travel a distance of:		
	100 ft.	200 ft.	300 ft.
1	68	136	205
2	34	68	102
3	23	45	68
4	17	34	51
5	14	28	41
6	11	23	34
7	9.5	19	29

- The coverage area can be found by dividing tank size by the application rate.
Example: 26 gallons divided by 12 gallons/acre = 2.16 acre of coverage per tank.

Finding the MPH to run your vehicle for desired performance:

$$MPH = \frac{\text{GALLONS PER MINUTE} \times 136}{\text{SPRAY WIDTH IN INCHES} \times \text{GAL. PER 1000 FT}^2}$$

$$MPH = \frac{\text{GALLONS PER MINUTE} \times 5940}{\text{SPRAY WIDTH IN INCHES} \times \text{GALLONS PER ACRE}}$$

Limited Warranty

Dear Valued Customer:

The NorthStar Product you just purchased is built with the finest material and craftsmanship. Use this product properly and enjoy the benefits from its high performance. By purchasing a NorthStar product, you show a desire for quality and durability. Like all mechanical equipment this unit requires a due amount of care. Treat this unit like the high quality piece of machinery it is. Neglect and improper handling may impair its performance. Please thoroughly read the instructions and understand the operation before using your product.

Limited Warranty

NorthStar shall warranty any piece of equipment manufactured, or parts of equipment manufactured, to be free from defects in material or workmanship for a period of 2 years for noncommercial/nonrental use and a period of 90 days for commercial/rental use from the date of purchase by user.

NorthStar shall warranty any wear item, including, but not limited to, valves, seals, pump diaphragms, hoses, and filter elements to be free from defects in material or workmanship for a period of 90 days from the date of purchase by user. This warranty applies to the original purchaser of the equipment and is nontransferable. Verification of purchase is the responsibility of the buyer. Parts will be replaced or repaired at no charge, except when the equipment has failed due to lack of proper maintenance. Any misuse, abuse, alteration or improper installation or operations will void warranty. Determining whether a part is to be replaced or repaired is the sole decision of NorthStar.

NOTE: Some services performed by parties other than NorthStar may void warranty.

This warranty covers parts only. It will not provide for replacement of complete products due to defective parts.

Components not manufactured by NorthStar are guaranteed by their manufacturer and can be serviced at factory-authorized locations near you. Any costs incurred due to replacement or repair of items outside of a NorthStar approved facility is the responsibility of the buyer and not covered under warranty. NorthStar can supply you with the service center location in your area.

This warranty specifically excludes the following; failure of parts due to damage caused by accident, fire, flood, windstorm, acts of God, applications not approved by NorthStar in writing, corrosion caused by chemicals, use of replacement parts which do not conform to manufacturer's specifications, and damage caused by vandalism. Additional exclusions: loss of running time, inconvenience, loss of income, or loss of use, including any implied warranty of merchantability of fitness for a specific use.

Warranty does not cover items subject to normal wear such as tires, receptacles or any part subject to direct physical contact by the public. This warranty does not cover any personal injury or damage to surrounding property caused by failure of any part.

This warranty is in lieu of any other warranty expressed or implied and NorthStar assumes no other responsibility or liability outside that expressed within this warranty.

Please fill in the following information and have it on hand when you call in on a warranty claim.

Customer Number: _____

Date of Purchase: _____

NorthStar Serial Number: _____

Item Number: _____

This page left intentionally blank



Northern Tool + Equipment Co., Inc.
Burnsville, MN 55306
NorthernTool.com
Made in China