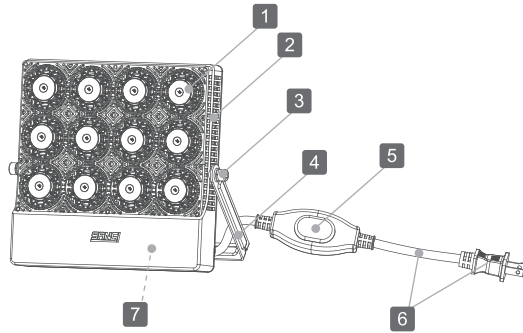


# SANSI UV LED Floodlight

## User Guide



### Product overview



1. LED ceramic light source
2. Lamp base
3. Hex bolt
4. Mounting bracket
5. On/off switch
6. Power cord with plug
7. Power supply driver

### Technical data

Model:	C2020-DE-70W-UVA
Operating voltage:	AC 100 - 240V, 50/60Hz
Rated power:	70W
LED light source (Qty.):	12
Beam angle:	60°
Peak light wavelength $\lambda$ P:	396nm
Operating ambient temperature:	-40 - +55°C
Operating ambient humidity:	10 - 95%RH
Lifespan:	50000h
Mounting method:	fixed with fastening set(s)
Enclosure color:	bronze
Unit dimensions (L x W x H):	193 x 200 x 41.5mm
Unit net weight:	1.32kg

### Warranty & Contact

5-year warranty  
Email: [service@sansitech.us](mailto:service@sansitech.us)  
Web: [www.sansiled.com](http://www.sansiled.com)

### You will need



Hex key



M8 assembly wrench


1


2

**SANSI**

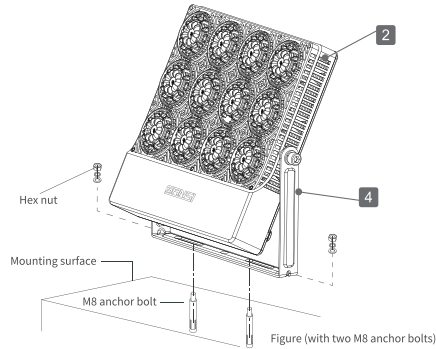
**SANSI**

## Assembly / Set-up

 NOTE: Tighten the bolts, nuts and all fastening sets. Do not overtighten these fastening sets.

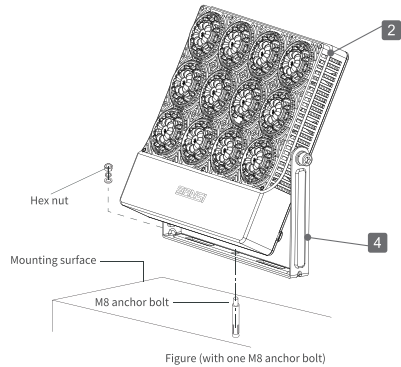
 NOTE: Ensure the voltage given on the rating label / in the instruction manual complies with the power supply.

1. Prepare the M8 anchor bolt(s) on the mounting surface according to the mounting hole / slots on the bracket (4).
2. Adjust the lamp base (2) to a proper angle for easy assembly, if necessary.
3. Mount the product onto the mounting surface and then tighten the hex nut(s) afterwards.
4. Connect the product to the power supply. The product is now ready for use.

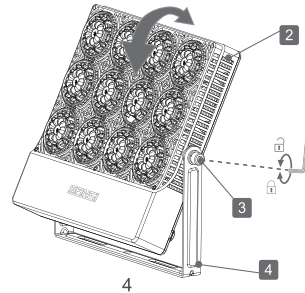


## Adjusting the angle

1. Loosen the 2 hex bolts (3) on both sides of the mounting bracket (4) with a suitable hex key, until the lamp base (2) can be rotated freely.
2. Do not fully loosen the hex bolts or remove them from the mounting bracket.
3. Adjust the lamp base to the desired angle. Tighten the hex bolts afterwards.

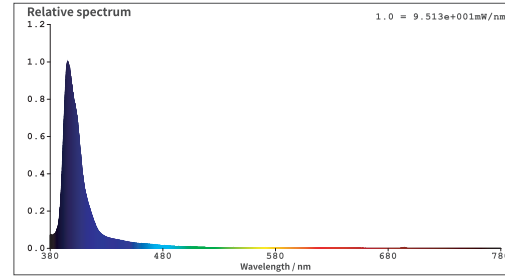


3

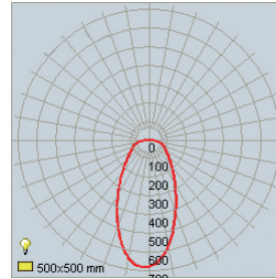


4

## Spectrum



## Light distribution curve



5

## Safety warnings

1. Read the instruction manual thoroughly before first use. Follow all the safety instructions and information.
2. Do not place any objects on the product. Mechanical loads may damage the product.
3. Do not cover the product e.g. with paper or textiles.
4. Risk of burns! Do not touch the light source or the housing during use.
5. Ensure the voltage given on the rating label or in the instruction manual complies with the power supply.
6. Do not use the product if the parts are damaged, the product does not work properly or if the product is damaged.
7. Do not open the housing under any circumstances. Do not insert any objects or fingers into the housing interior.
8. Do not stare at the operating light source or direct the beam at other people or animals to prevent eye damage.
9. Assemble the product according to the intended use and as described in this manual.
10. Do not assemble the product in adverse ambient conditions or in rooms where heat sources, hot steam, corrosive gas, flammable gas, vapors or dust are present.
11. Do not assemble / install the product under live conditions.
12. There are no parts inside the product that can be repaired by the user.
13. If the external flexible cable or cord is damaged, it shall be exclusively replaced by the manufacturer, the service center or a qualified specialist to avoid hazards.
14. The light source and power supply driver of this product are not replaceable. When the light source or power supply driver reaches its end of life, the whole luminaire shall be replaced.

6