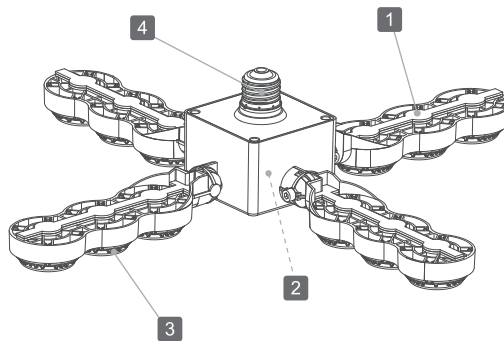


LED Wing Light User Guide



Product overview

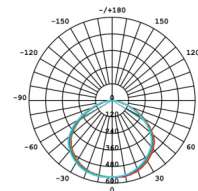


1. Lamp base
2. Power supply driver
3. LED light source
4. Screw base

Technical data

Model:	C21FS-AE26-60W
Operating voltage:	100 - 277 V~, 50/60 Hz
Rated power:	60 W
LED light source (Qty.):	12
Beam angle:	120°
Color temperature:	5000 K
IP degree:	IP20
Operating ambient temperature:	-35 - +50 °C
Operating ambient humidity:	10 - 95% RH
Lifespan:	50000 h
Lamp socket:	E26
Enclosure color:	bronze
Unit dimensions (L x W x H):	433 x 433 x 96 mm (unfolded) / 149 x 149 x 181 mm (folded)

Light distribution curve



Warranty & Contact

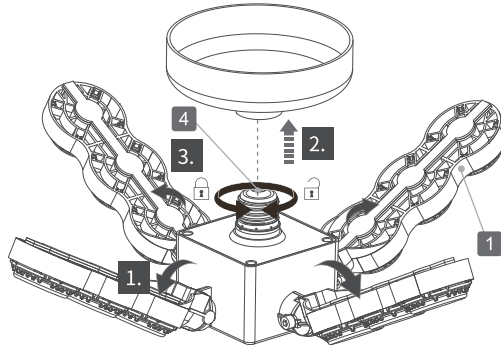
5-year warranty

Email: service@sansitech.us

Web: www.sansiled.com

Assembly / Set-up

1. Slightly unfold the lamp bases (1), if necessary (step 1).
2. Align the screw base (4) with the lamp socket and then screw the product onto it (steps 2, 3). Do not overtighten the screw base.
3. Adjust the lamp bases to the desired angle (0° - 90°).



Safety warnings

1. The product is suitable for indoor lighting, e.g. households, offices, meeting rooms, garages, warehouses etc.
2. Read the instruction manual thoroughly before first use. Follow all the safety instructions and information.
3. Do not place any objects on the product. Mechanical loads may damage the product.
4. Do not cover the product e.g with paper or textiles.
5. Risk of burns! Do not touch the light or the housing during use.
6. Ensure the voltage given on the rating label or in the instruction manual complies with the power supply.
7. Do not use the product if the parts are damaged, the product does not work properly or if the product is damaged.
8. Do not open the housing under any circumstances. Do not insert any objects or fingers into the housing interior.
9. Do not stare at the operating light source or direct the beam at other people or animals to prevent eye damage.
10. Assemble the product according to the intended use and as described in this manual.
11. Do not assemble the product in adverse ambient conditions or in rooms where heat sources, hot steam, corrosive gas, flammable gas, vapors or dust are present.
12. Do not assemble / install the product under live conditions.
13. There are no parts inside the product that can be repaired by the user.
14. Do not install the product in the electric circuit loop with a dimmer.
15. The light source and power supply driver of this product are not replaceable when the light source or power supply reaches the end of their life. The whole luminaire should be replaced.