

HMT-Series, Modular Torque Wrenches

▼ HMT-Drive Units with interchangeable HLP-Low Profile Cassette and HSQ-Square Drive Cassette



The HMT-Series is a range of fast, durable and efficient modular hydraulic torque wrenches, enabling you to tackle almost any bolting application. Interchange cassettes with ease, switching the HLP low profile hexagon cassette with the HSQ square drive whenever your application demands.

As an added benefit, tools and cassettes are interchangeable with many other well-known brands, allowing you the freedom to use the tools at your disposal whilst reducing the cost of upgrading your legacy torque wrench inventory to high quality Enerpac equipment.

The tool itself has been carefully designed and manufactured, utilising superior alloys and surface treatments to make it lightweight, up to 25% faster and more than twice as durable as other tools in the same class.

Safety and Performance

- Supplied with an ergonomic tool safety handle as standard
- The HMT Modular Torque/Tool is also supplied with a link pin retainer as standard.

Versatility

- Interchangeable with other manufacturers
- HMT is able to solve all of your bolting challenges quickly and safely, with one or more attachment options, making it suitable for any application

Simplicity

- The HMT is part of a modular system which is made up of a single power head and one attachment; the HMT Drive Unit and HLP Hexagon cassette or HSQ Square Drive Cassette

Accuracy

- Accuracy of $\pm 3\%$

Modular, Durable, Fast and Efficient Torque for Low Profile and Square Drive Applications



Torque Wrench Options and Accessories

Optional accessories are available for maximum versatility. Please contact your Enerpac representative to help you select the optimum solution for your application.

Page: 11



Back-Up Spanners

To be used to stop the back nut from turning during make up or break out. Two hexagon sizes in one tool.

Page: 9



Torque Pumps

Visit enerpac.com for system matched air and electric torque pumps that are ideal for use with hydraulic torque wrenches.

Page: 10



Torque Wrench Hoses

Use Enerpac THQ-700 Series hoses with HMT-Series torque wrenches to ensure the integrity of your hydraulic system.

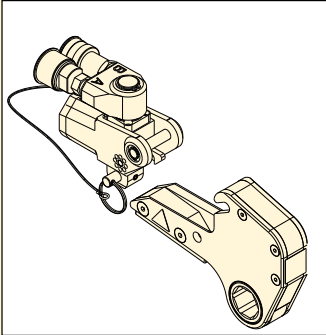
| | |
|--------------------|----------|
| 2 m long, 2 hoses | THQ-702T |
| 6 m long, 2 hoses | THQ-706T |
| 12 m long, 2 hoses | THQ-712T |



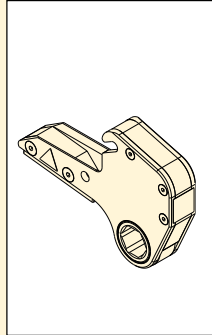


One Drive, Two Tools

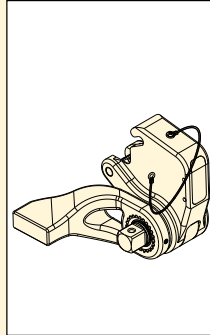
One HMT-Hydraulic Torque Wrench fits HLP-Low Profile or HSQ Square Drive cassette.



HMT...HLP



HLP



HSQ

HMT Series



Maximum Torque at 10.000 psi:

1541 - 7562 Ft.lbs

Maximum Torque at 690 bar:

2089 - 10.252 Nm

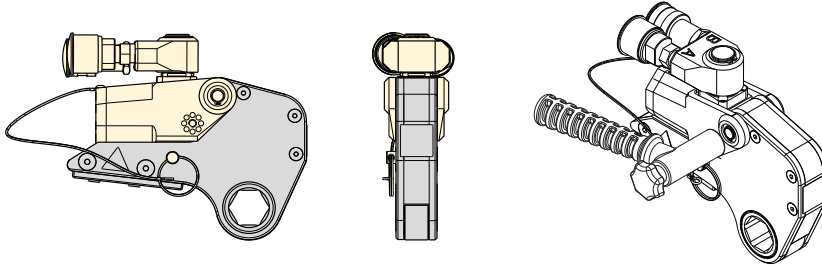
Hexagon Range:

1¹/₁₆ - 3¹⁵/₁₆" / 26 - 100 mm

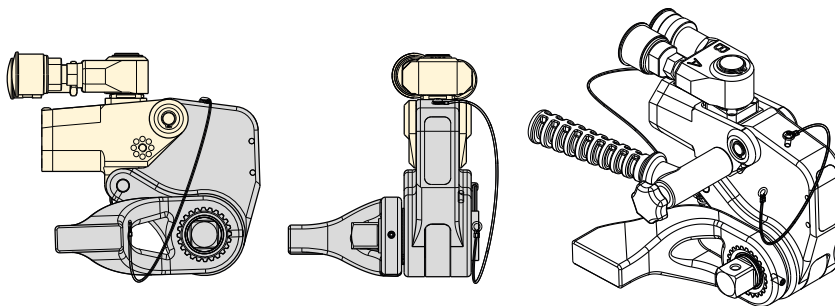
Maximum Operating Pressure:

690 bar / 10.000 psi

▼ HMT-Torque Wrench Drive Unit shown with HLP-Low Profile Hexagon Cassette



▼ HMT-Torque Wrench Drive Unit shown with HSQ-Square Drive Cassette



Select the Right Torque

Choose your Enerpac Torque Wrench using the untightening rule of thumb: Loosening torque equals about 250% of tightening torque.



HLP Low Profile Cassettes

For the metric and imperial Low Profile hexagon cassettes see:

Page: 4-8



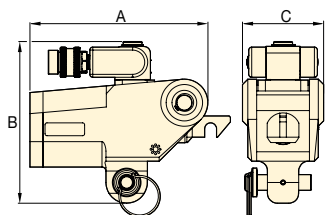
HSQ Square Drive Cassettes

For the metric and imperial Square Drive Cassettes see:

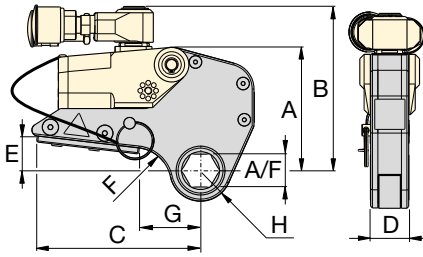
Page: 6-7

▼ SELECTION CHART

| Maximum Torque Output at 690 bar | | Minimum Torque Output at 69 bar | | Drive Unit Model Number | Dimensions (inch) | | | | Dimensions (mm) | | | Weight (kg) |
|----------------------------------|--------|---------------------------------|------|-------------------------|-------------------|-----|-----|-------|-----------------|-----|----|-------------|
| (Ft.lbs) | (Nm) | (Ft.lbs) | (Nm) | | A | B | C | (lbs) | A | B | C | |
| 1541 | 2089 | 154 | 209 | HMT1500 | 4.3 | 4.1 | 2.0 | 2.20 | 108 | 104 | 49 | 1,0 |
| 3453 | 4804 | 354 | 480 | HMT3500 | 5.7 | 5.2 | 2.6 | 3.97 | 146 | 132 | 66 | 1,8 |
| 7562 | 10.252 | 756 | 1025 | HMT7500 | 7.1 | 6.4 | 3.2 | 7.05 | 180 | 163 | 82 | 3,2 |



Hexagon Cassettes for HMT Drive Units



Hexagon Range:
1¹/₁₆ - 3¹⁵/₁₆ inch

Hexagon Range:
26 - 100 mm

Maximum Operating Pressure:
690 bar / 10.000 psi

HLP Series



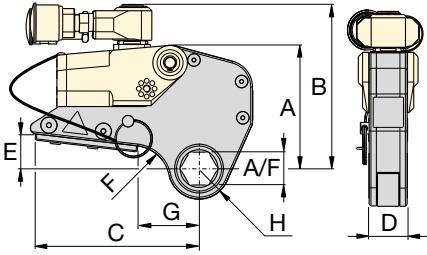
▼ **SELECTION CHART**

IMPORTANT: HMT-drive units must be ordered separately to operate the HLP-Hexagon Cassettes.

| Drive Unit Model Number | Hexagon Size A/F | | Hexagon Cassette Model Number | Maximum Torque | | Dimensions (inch) | | | | | | | | Weight (lbs) | Dimensions (mm) | | | | | | | | Weight (kg) |
|--------------------------------|---------------------------------|---------|-------------------------------|----------------|------|-------------------|------|------|------|------|------|------|------|--------------|-----------------|-----|------|------|----|----|----|-----|-------------|
| | (inch) | (mm) | | (Ft.lbs) | (Nm) | A | B | C | D | E | F | G | H | | A | B | C | D | E | F | G | H | |
| HMT1500 | 1 ¹ / ₁₆ | 26 | HLP1101 | 1541 | 2089 | 4.48 | 5.32 | 5.35 | 1.2 | 1.13 | 1.18 | 2.01 | 1.00 | 3.53 | 114 | 135 | 136 | 31,5 | 29 | 30 | 51 | 25 | 1,6 |
| | 1 ¹ / ₈ | - | HLP1102 | 1541 | 2089 | 4.48 | 5.32 | 5.35 | 1.2 | 1.13 | 1.18 | 2.01 | 1.00 | 3.53 | 114 | 135 | 136 | 31,5 | 29 | 30 | 51 | 25 | 1,6 |
| | 1 ³ / ₁₆ | 30 | HLP1103 | 1541 | 2089 | 4.48 | 5.32 | 5.35 | 1.2 | 1.13 | 1.18 | 2.01 | 1.00 | 3.53 | 114 | 135 | 136 | 31,5 | 29 | 30 | 51 | 25 | 1,6 |
| | 1 ¹ / ₄ | 32 | HLP1104 | 1541 | 2089 | 4.48 | 5.32 | 5.35 | 1.2 | 1.13 | 0.95 | 2.01 | 1.08 | 3.53 | 114 | 135 | 136 | 31,5 | 29 | 24 | 51 | 27 | 1,6 |
| | 1 ⁵ / ₁₆ | 33 | HLP1105 | 1541 | 2089 | 4.48 | 5.32 | 5.35 | 1.2 | 1.13 | 0.95 | 2.01 | 1.08 | 3.53 | 114 | 135 | 136 | 31,5 | 29 | 24 | 51 | 27 | 1,6 |
| | 1 ³ / ₈ | 35 | HLP1106 | 1541 | 2089 | 4.48 | 5.32 | 5.35 | 1.2 | 1.13 | 0.55 | 1.89 | 1.19 | 3.53 | 114 | 135 | 136 | 31,5 | 29 | 14 | 48 | 30 | 1,6 |
| | 1 ⁷ / ₁₆ | 36 | HLP1107 | 1541 | 2089 | 4.48 | 5.32 | 5.35 | 1.2 | 1.13 | 0.55 | 1.89 | 1.19 | 3.53 | 114 | 135 | 136 | 31,5 | 29 | 14 | 48 | 30 | 1,6 |
| | 1 ¹ / ₂ | 38 | HLP1108 | 1541 | 2089 | 4.48 | 5.32 | 5.35 | 1.2 | 1.13 | 0.55 | 2.01 | 1.30 | 3.53 | 114 | 135 | 136 | 31,5 | 29 | 14 | 51 | 33 | 1,6 |
| | 1 ⁹ / ₁₆ | - | HLP1109 | 1541 | 2089 | 4.48 | 5.32 | 5.35 | 1.2 | 1.13 | 0.55 | 2.01 | 1.30 | 3.53 | 114 | 135 | 136 | 31,5 | 29 | 14 | 51 | 33 | 1,6 |
| | 1 ⁵ / ₈ | 41 | HLP1110 | 1541 | 2089 | 4.48 | 5.32 | 5.35 | 1.2 | 1.13 | 0.55 | 2.01 | 1.30 | 3.53 | 114 | 135 | 136 | 31,5 | 29 | 14 | 51 | 33 | 1,6 |
| | 1 ¹¹ / ₁₆ | - | HLP1111 | 1541 | 2089 | 4.48 | 5.32 | 5.35 | 1.2 | 1.13 | 0.55 | 2.01 | 1.30 | 3.53 | 114 | 135 | 136 | 31,5 | 29 | 14 | 51 | 33 | 1,6 |
| | 1 ³ / ₄ | - | HLP1112 | 1541 | 2089 | 4.48 | 5.32 | 5.35 | 1.2 | 1.13 | 0.55 | 2.01 | 1.38 | 3.53 | 114 | 135 | 136 | 31,5 | 29 | 14 | 51 | 35 | 1,6 |
| | 1 ¹³ / ₁₆ | 46 | HLP1113 | 1541 | 2089 | 4.48 | 5.32 | 5.35 | 1.2 | 1.13 | 0.55 | 2.01 | 1.38 | 3.53 | 114 | 135 | 136 | 31,5 | 29 | 14 | 51 | 35 | 1,6 |
| | 1 ⁷ / ₈ | - | HLP1114 | 1541 | 2089 | 4.48 | 5.32 | 5.35 | 1.2 | 1.13 | 0.55 | 2.36 | 1.52 | 3.53 | 114 | 135 | 136 | 31,5 | 29 | 14 | 60 | 39 | 1,6 |
| | 1 ¹⁵ / ₁₆ | - | HLP1115 | 1541 | 2089 | 4.48 | 5.32 | 5.35 | 1.2 | 1.13 | 0.55 | 2.36 | 1.52 | 3.53 | 114 | 135 | 136 | 31,5 | 29 | 14 | 60 | 39 | 1,6 |
| | 2 | 50 | HLP1200 | 1541 | 2089 | 4.48 | 5.32 | 5.35 | 1.2 | 1.13 | 0.55 | 2.36 | 1.52 | 3.75 | 114 | 135 | 136 | 31,5 | 29 | 14 | 60 | 39 | 1,7 |
| | 2 ¹ / ₁₆ | - | HLP1201 | 1541 | 2089 | 4.48 | 5.32 | 5.35 | 1.2 | 1.13 | 0.55 | 2.36 | 1.52 | 3.75 | 114 | 135 | 136 | 31,5 | 29 | 14 | 60 | 39 | 1,7 |
| | 2 ¹ / ₈ | - | HLP1202 | 1541 | 2089 | 4.48 | 5.32 | 5.35 | 1.2 | 1.13 | 0.55 | 2.36 | 1.65 | 3.75 | 114 | 135 | 136 | 31,5 | 29 | 14 | 60 | 42 | 1,7 |
| | 2 ³ / ₁₆ | 55 | HLP1203 | 1541 | 2089 | 4.48 | 5.32 | 5.35 | 1.2 | 1.13 | 0.55 | 2.36 | 1.65 | 3.75 | 114 | 135 | 136 | 31,5 | 29 | 14 | 60 | 42 | 1,7 |
| | 2 ¹ / ₄ | - | HLP1204 | 1541 | 2089 | 4.48 | 5.32 | 5.35 | 1.2 | 1.13 | 0.55 | 2.36 | 1.65 | 3.75 | 114 | 135 | 136 | 31,5 | 29 | 14 | 60 | 42 | 1,7 |
| 2 ⁵ / ₁₆ | - | HLP1205 | 1541 | 2089 | 4.48 | 5.32 | 5.35 | 1.2 | 1.13 | 0.55 | 2.36 | 1.65 | 3.75 | 114 | 135 | 136 | 31,5 | 29 | 14 | 60 | 42 | 1,7 | |
| 2 ³ / ₈ | 60 | HLP1206 | 1541 | 2089 | 4.48 | 5.32 | 5.35 | 1.2 | 1.13 | 0.55 | 2.36 | 1.71 | 3.75 | 114 | 135 | 136 | 31,5 | 29 | 14 | 60 | 44 | 1,7 | |
| 2 ⁷ / ₁₆ | 62 | HLP1207 | 1541 | 2089 | 4.48 | 5.32 | 5.35 | 1.2 | 1.13 | 0.55 | 2.36 | 1.71 | 3.75 | 114 | 135 | 136 | 31,5 | 29 | 14 | 60 | 44 | 1,7 | |
| HMT3500 | 1 ³ / ₈ | 35 | HLP3106 | 3543 | 4804 | 6.02 | 6.57 | 7.24 | 1.7 | 1.59 | 1.89 | 3.09 | 1.30 | 8.60 | 153 | 167 | 184 | 42 | 41 | 48 | 79 | 33 | 3,9 |
| | 1 ⁷ / ₁₆ | 36 | HLP3107 | 3543 | 4804 | 6.02 | 6.57 | 7.24 | 1.7 | 1.59 | 1.89 | 3.09 | 1.30 | 8.60 | 153 | 167 | 184 | 42 | 41 | 48 | 79 | 33 | 3,9 |
| | 1 ¹ / ₂ | 38 | HLP3108 | 3543 | 4804 | 6.02 | 6.57 | 7.24 | 1.7 | 1.59 | 1.81 | 3.16 | 1.42 | 8.60 | 153 | 167 | 184 | 42 | 41 | 46 | 80 | 36 | 3,9 |
| | 1 ⁹ / ₁₆ | - | HLP3109 | 3543 | 4804 | 6.02 | 6.57 | 7.24 | 1.7 | 1.59 | 1.81 | 3.16 | 1.42 | 8.60 | 153 | 167 | 184 | 42 | 41 | 46 | 80 | 36 | 3,9 |
| | 1 ⁵ / ₈ | 41 | HLP3110 | 3543 | 4804 | 6.02 | 6.57 | 7.24 | 1.7 | 1.59 | 1.81 | 3.16 | 1.42 | 8.60 | 153 | 167 | 184 | 42 | 41 | 46 | 80 | 36 | 3,9 |
| | 1 ¹¹ / ₁₆ | - | HLP3111 | 3543 | 4804 | 6.02 | 6.57 | 7.24 | 1.7 | 1.59 | 1.81 | 3.16 | 1.42 | 8.60 | 153 | 167 | 184 | 42 | 41 | 46 | 80 | 36 | 3,9 |
| | 1 ³ / ₄ | - | HLP3112 | 3543 | 4804 | 6.02 | 6.57 | 7.24 | 1.7 | 1.59 | 1.58 | 3.08 | 1.52 | 8.60 | 153 | 167 | 184 | 42 | 41 | 40 | 78 | 39 | 3,9 |
| | 1 ¹³ / ₁₆ | 46 | HLP3113 | 3543 | 4804 | 6.02 | 6.57 | 7.24 | 1.7 | 1.59 | 1.58 | 3.08 | 1.52 | 8.60 | 153 | 167 | 184 | 42 | 41 | 40 | 78 | 39 | 3,9 |
| | 1 ⁷ / ₈ | - | HLP3114 | 3543 | 4804 | 6.02 | 6.57 | 7.24 | 1.7 | 1.59 | 1.42 | 3.05 | 1.63 | 8.60 | 153 | 167 | 184 | 42 | 41 | 36 | 77 | 41 | 3,9 |
| | 1 ¹⁵ / ₁₆ | - | HLP3115 | 3543 | 4804 | 6.02 | 6.57 | 7.24 | 1.7 | 1.59 | 1.42 | 3.05 | 1.63 | 8.60 | 153 | 167 | 184 | 42 | 41 | 36 | 77 | 41 | 3,9 |
| | 2 | 50 | HLP3200 | 3543 | 4804 | 6.02 | 6.57 | 7.24 | 1.7 | 1.59 | 1.42 | 3.05 | 1.63 | 8.60 | 153 | 167 | 184 | 42 | 41 | 36 | 77 | 41 | 3,9 |
| | 2 ¹ / ₁₆ | - | HLP3201 | 3543 | 4804 | 6.02 | 6.57 | 7.24 | 1.7 | 1.59 | 1.42 | 3.05 | 1.63 | 8.82 | 153 | 167 | 184 | 42 | 41 | 36 | 77 | 41 | 4,0 |
| | 2 ¹ / ₈ | - | HLP3202 | 3543 | 4804 | 6.02 | 6.57 | 7.24 | 1.7 | 1.59 | 1.18 | 2.97 | 1.74 | 8.82 | 153 | 167 | 184 | 42 | 41 | 30 | 75 | 44 | 4,0 |
| | 2 ³ / ₁₆ | 55 | HLP3203 | 3543 | 4804 | 6.02 | 6.57 | 7.24 | 1.7 | 1.59 | 1.18 | 2.97 | 1.74 | 8.82 | 153 | 167 | 184 | 42 | 41 | 30 | 75 | 44 | 4,0 |
| | 2 ¹ / ₄ | - | HLP3204 | 3543 | 4804 | 6.02 | 6.57 | 7.24 | 1.7 | 1.59 | 1.18 | 2.97 | 1.74 | 8.82 | 153 | 167 | 184 | 42 | 41 | 30 | 75 | 44 | 4,0 |
| | 2 ⁵ / ₁₆ | - | HLP3205 | 3543 | 4804 | 6.02 | 6.57 | 7.24 | 1.7 | 1.59 | 0.63 | 2.68 | 1.85 | 9.04 | 153 | 167 | 184 | 42 | 41 | 16 | 68 | 47 | 4,1 |
| 2 ³ / ₈ | 60 | HLP3206 | 3543 | 4804 | 6.02 | 6.57 | 7.24 | 1.7 | 1.59 | 0.63 | 2.68 | 1.85 | 9.04 | 153 | 167 | 184 | 42 | 41 | 16 | 68 | 47 | 4,1 | |



Hexagon Cassettes for HMT Drive Units



Hexagon Range:
1¹/₁₆ - 3¹⁵/₁₆ inch

Hexagon Range:
26 - 100 mm

Maximum Operating Pressure:
690 bar / 10.000 psi

**HLP
Series**



▼ **SELECTION CHART**

IMPORTANT: HMT-drive units must be ordered separately to operate the HLP-Hexagon Cassettes.

| Drive Unit Model Number | Hexagon Size A/F | | Hexagon Cassette Model Number | Maximum Torque | | Dimensions (inch) | | | | | | | | ⚖️ (lbs) | Dimensions (mm) | | | | | | | | ⚖️ (kg) |
|---------------------------------|---------------------------------|---------|-------------------------------|----------------|-------|-------------------|------|------|------|------|------|------|-------|----------|-----------------|-----|------|------|----|----|----|-----|---------|
| | (inch) | (mm) | | (Ft.lbs) | (Nm) | A | B | C | D | E | F | G | H | | A | B | C | D | E | F | G | H | |
| HMT3500 | 2 ⁷ / ₁₆ | 62 | HLP3207 | 3543 | 4804 | 6.02 | 6.57 | 7.24 | 1.7 | 1.59 | 0.63 | 2.80 | 1.85 | 9.04 | 153 | 167 | 184 | 42 | 41 | 16 | 71 | 47 | 4,1 |
| | 2 ¹ / ₂ | 63 | HLP3208 | 3543 | 4804 | 6.02 | 6.57 | 7.24 | 1.7 | 1.59 | 0.63 | 2.80 | 1.96 | 9.04 | 153 | 167 | 184 | 42 | 41 | 16 | 71 | 50 | 4,1 |
| | 2 ⁹ / ₁₆ | 65 | HLP3209 | 3543 | 4804 | 6.02 | 6.57 | 7.24 | 1.7 | 1.59 | 0.63 | 2.80 | 1.96 | 9.04 | 153 | 167 | 184 | 42 | 41 | 16 | 71 | 50 | 4,1 |
| | 2 ⁵ / ₈ | - | HLP3210 | 3543 | 4804 | 6.02 | 6.57 | 7.24 | 1.7 | 1.59 | 0.63 | 2.80 | 2.07 | 9.04 | 153 | 167 | 184 | 42 | 41 | 16 | 71 | 53 | 4,1 |
| | 2 ¹ / ₁₆ | - | HLP3211 | 3543 | 4804 | 6.02 | 6.57 | 7.24 | 1.7 | 1.59 | 0.63 | 2.80 | 2.07 | 9.04 | 153 | 167 | 184 | 42 | 41 | 16 | 71 | 53 | 4,1 |
| | 2 ³ / ₄ | 70 | HLP3212 | 3543 | 4804 | 6.02 | 6.57 | 7.24 | 1.7 | 1.59 | 0.63 | 2.80 | 2.07 | 9.04 | 153 | 167 | 184 | 42 | 41 | 16 | 71 | 53 | 4,1 |
| | 2 ¹ / ₁₆ | - | HLP3213 | 3543 | 4804 | 6.02 | 6.57 | 7.24 | 1.7 | 1.59 | 0.63 | 2.80 | 2.07 | 9.04 | 153 | 167 | 184 | 42 | 41 | 16 | 71 | 53 | 4,1 |
| | 2 ⁷ / ₈ | - | HLP3214 | 3543 | 4804 | 6.02 | 6.57 | 7.24 | 1.7 | 1.59 | 0.63 | 2.80 | 2.07 | 9.04 | 153 | 167 | 184 | 42 | 41 | 16 | 71 | 53 | 4,1 |
| | 2 ¹⁵ / ₁₆ | 75 | HLP3215 | 3543 | 4804 | 6.02 | 6.57 | 7.24 | 1.7 | 1.59 | 0.63 | 2.99 | 2.19 | 9.04 | 153 | 167 | 184 | 42 | 41 | 16 | 76 | 56 | 4,1 |
| | 3 | - | HLP3300 | 3543 | 4804 | 6.02 | 6.57 | 7.24 | 1.7 | 1.59 | 0.63 | 2.99 | 2.19 | 9.04 | 153 | 167 | 184 | 42 | 41 | 16 | 76 | 56 | 4,1 |
| | 3 ¹ / ₁₆ | - | HLP3301 | 3543 | 4804 | 6.02 | 6.57 | 7.24 | 1.7 | 1.59 | 0.63 | 2.99 | 2.19 | 9.04 | 153 | 167 | 184 | 42 | 41 | 16 | 76 | 56 | 4,1 |
| 3 ¹ / ₈ | 80 | HLP3302 | 3543 | 4804 | 6.02 | 6.57 | 7.24 | 1.7 | 1.59 | 0.63 | 2.99 | 2.19 | 9.04 | 153 | 167 | 184 | 42 | 41 | 16 | 76 | 56 | 4,1 | |
| HMT7500 | 2 ³ / ₁₆ | 55 | HLP7203 | 7562 | 10252 | 7.60 | 8.01 | 8.94 | 2.1 | 1.81 | 1.65 | 3.39 | 1.91 | 15.65 | 193 | 203 | 227 | 52,6 | 46 | 42 | 86 | 49 | 7,1 |
| | 2 ¹ / ₄ | - | HLP7204 | 7562 | 10252 | 7.60 | 8.01 | 8.94 | 2.1 | 1.81 | 1.65 | 3.39 | 1.91 | 15.65 | 193 | 203 | 227 | 52,6 | 46 | 42 | 86 | 49 | 7,1 |
| | 2 ⁵ / ₁₆ | - | HLP7205 | 7562 | 10252 | 7.60 | 8.01 | 8.94 | 2.1 | 1.81 | 1.65 | 3.39 | 1.91 | 15.65 | 193 | 203 | 227 | 52,6 | 46 | 42 | 86 | 49 | 7,1 |
| | 2 ³ / ₈ | 60 | HLP7206 | 7562 | 10252 | 7.60 | 8.01 | 8.94 | 2.1 | 1.81 | 1.18 | 3.15 | 1.99 | 15.65 | 193 | 203 | 227 | 52,6 | 46 | 30 | 80 | 51 | 7,1 |
| | 2 ⁷ / ₁₆ | 62 | HLP7207 | 7562 | 10252 | 7.60 | 8.01 | 8.94 | 2.1 | 1.81 | 1.18 | 3.15 | 1.99 | 15.65 | 193 | 203 | 227 | 52,6 | 46 | 30 | 80 | 51 | 7,1 |
| | 2 ¹ / ₂ | 63 | HLP7208 | 7562 | 10252 | 7.60 | 8.01 | 8.94 | 2.1 | 1.81 | 1.18 | 3.15 | 1.99 | 15.65 | 193 | 203 | 227 | 52,6 | 46 | 30 | 80 | 51 | 7,1 |
| | 2 ⁹ / ₁₆ | 65 | HLP7209 | 7562 | 10252 | 7.60 | 8.01 | 8.94 | 2.1 | 1.81 | 0.87 | 3.15 | 2.07 | 15.65 | 193 | 203 | 227 | 52,6 | 46 | 22 | 80 | 53 | 7,1 |
| | 2 ⁵ / ₈ | - | HLP7210 | 7562 | 10252 | 7.60 | 8.01 | 8.94 | 2.1 | 1.81 | 0.79 | 3.15 | 2.19 | 15.65 | 193 | 203 | 227 | 52,6 | 46 | 20 | 80 | 56 | 7,1 |
| | 2 ¹ / ₁₆ | - | HLP7211 | 7562 | 10252 | 7.60 | 8.01 | 8.94 | 2.1 | 1.81 | 0.79 | 3.15 | 2.19 | 15.65 | 193 | 203 | 227 | 52,6 | 46 | 20 | 80 | 56 | 7,1 |
| | 2 ³ / ₄ | 70 | HLP7212 | 7562 | 10252 | 7.60 | 8.01 | 8.94 | 2.1 | 1.81 | 0.79 | 3.15 | 2.19 | 17.42 | 193 | 203 | 227 | 52,6 | 46 | 20 | 80 | 56 | 7,9 |
| | 2 ¹ / ₁₆ | - | HLP7213 | 7562 | 10252 | 7.60 | 8.01 | 8.94 | 2.1 | 1.81 | 0.79 | 3.15 | 2.19 | 17.42 | 193 | 203 | 227 | 52,6 | 46 | 20 | 80 | 56 | 7,9 |
| | 2 ⁷ / ₈ | - | HLP7214 | 7562 | 10252 | 7.60 | 8.01 | 8.94 | 2.1 | 1.81 | 0.79 | 3.15 | 2.19 | 17.42 | 193 | 203 | 227 | 52,6 | 46 | 20 | 80 | 56 | 7,9 |
| | 2 ¹⁵ / ₁₆ | 75 | HLP7215 | 7562 | 10252 | 7.60 | 8.01 | 8.94 | 2.1 | 1.81 | 0.67 | 3.15 | 2.26 | 17.42 | 193 | 203 | 227 | 52,6 | 46 | 17 | 80 | 58 | 7,9 |
| | 3 | - | HLP7300 | 7562 | 10252 | 7.60 | 8.01 | 8.94 | 2.1 | 1.81 | 0.67 | 3.39 | 2.38 | 17.42 | 193 | 203 | 227 | 52,6 | 46 | 17 | 86 | 61 | 7,9 |
| | 3 ¹ / ₁₆ | - | HLP7301 | 7562 | 10252 | 7.60 | 8.01 | 8.94 | 2.1 | 1.81 | 0.67 | 3.39 | 2.38 | 17.42 | 193 | 203 | 227 | 52,6 | 46 | 17 | 86 | 61 | 7,9 |
| | 3 ¹ / ₈ | 80 | HLP7302 | 7562 | 10252 | 7.60 | 8.01 | 8.94 | 2.1 | 1.81 | 0.67 | 3.39 | 2.38 | 17.42 | 193 | 203 | 227 | 52,6 | 46 | 17 | 86 | 61 | 7,9 |
| | 3 ¹ / ₄ | - | HLP7304 | 7562 | 10252 | 7.60 | 8.01 | 8.94 | 2.1 | 1.81 | 0.67 | 3.39 | 2.52 | 17.42 | 193 | 203 | 227 | 52,6 | 46 | 17 | 86 | 64 | 7,9 |
| | - | 85 | HLP7085M | 7562 | 10252 | 7.60 | 8.01 | 8.94 | 2.1 | 1.81 | 0.67 | 3.39 | 2.52 | 17.42 | 193 | 203 | 227 | 52,6 | 46 | 17 | 86 | 64 | 7,9 |
| | 3 ³ / ₈ | - | HLP7306 | 7562 | 10252 | 7.60 | 8.01 | 8.94 | 2.1 | 1.81 | 0.67 | 3.39 | 2.52 | 17.42 | 193 | 203 | 227 | 52,6 | 46 | 17 | 86 | 64 | 7,9 |
| | 3 ⁷ / ₁₆ | - | HLP7307 | 7562 | 10252 | 7.60 | 8.01 | 8.94 | 2.1 | 1.81 | 0.67 | 3.50 | 2.52 | 17.64 | 193 | 203 | 227 | 52,6 | 46 | 17 | 89 | 64 | 8,0 |
| | 3 ¹ / ₂ | - | HLP7308 | 7562 | 10252 | 7.60 | 8.01 | 8.94 | 2.1 | 1.81 | 0.67 | 3.50 | 2.64 | 17.64 | 193 | 203 | 227 | 52,6 | 46 | 17 | 89 | 67 | 8,0 |
| | - | 90 | HLP7090M | 7562 | 10252 | 7.60 | 8.01 | 8.94 | 2.1 | 1.81 | 0.67 | 3.74 | 2.64 | 17.64 | 193 | 203 | 227 | 52,6 | 46 | 17 | 95 | 67 | 8,0 |
| | 3 ⁹ / ₁₆ | - | HLP7309 | 7562 | 10252 | 7.60 | 8.01 | 8.94 | 2.1 | 1.81 | 0.67 | 3.74 | 2.78 | 17.64 | 193 | 203 | 227 | 52,6 | 46 | 17 | 95 | 71 | 8,0 |
| | 3 ³ / ₄ | 95 | HLP7312 | 7562 | 10252 | 7.60 | 8.01 | 8.94 | 2.1 | 1.81 | 0.67 | 3.74 | 2.89 | 18.08 | 193 | 203 | 227 | 52,6 | 46 | 17 | 95 | 71 | 8,2 |
| 3 ⁷ / ₈ | - | HLP7314 | 7562 | 10252 | 7.60 | 8.01 | 8.94 | 2.1 | 1.81 | 0.67 | 3.74 | 2.89 | 18.08 | 193 | 203 | 227 | 52,6 | 46 | 17 | 95 | 74 | 8,2 | |
| 3 ¹⁵ / ₁₆ | 100 | HLP7315 | 7562 | 10252 | 7.60 | 8.01 | 8.94 | 2.1 | 1.81 | 0.67 | 3.74 | 2.89 | 18.08 | 193 | 203 | 227 | 52,6 | 46 | 17 | 95 | 74 | 8,2 | |



Square Drive Hydraulic Torque Wrenches

▼ HMT drive unit with HSQ square drive cassette



Modular, Durable, Fast and Efficient Torque for Low Profile and Square Drive Applications



Torque Wrench Options and Accessories

Optional accessories are available for maximum versatility. Please contact your Enerpac representative to help you select the optimum solution for your application.

Page: 11

Safety and Performance

- Innovative design that completely encloses all moving parts and minimizes pinch points
- Supplied reaction arm as standard
- Fully adjustable 360 degree in-line reaction arm
- Fine tooth ratchet prevents locking-on

Simplicity

- Simple robust design with just three moving parts for reduced maintenance
- Push button, quick release, reversible square drive

Versatility

- The reaction arm, positioned around the square drive instead of the back of the drive unit, provides you with the possibility to turn the drive unit away from an obstacle

Accuracy

- Accuracy of $\pm 3\%$



Back-Up Spanner

To be used to stop the back nut from turning during make up or break out. Two hexagon sizes in one tool.

Page: 9



Torque Wrench Hoses

Use Enerpac THQ-700 Series hoses with HMT-Series torque wrenches to ensure the integrity of your hydraulic system.

| | |
|--------------------|----------|
| 2 m long, 2 hoses | THQ-702T |
| 6 m long, 2 hoses | THQ-706T |
| 12 m long, 2 hoses | THQ-712T |



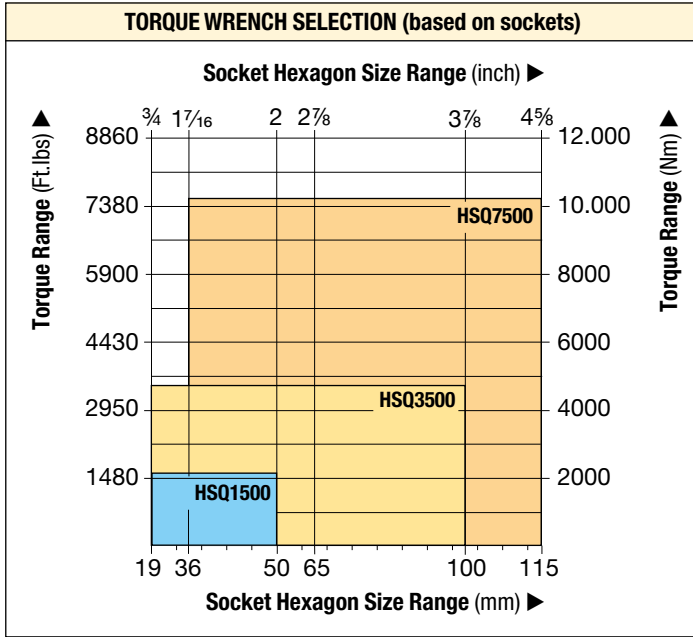
Ergonomic Tool Handle

Robust ergonomic positioning handle comes standard with every HMT Drive Unit.

| Compatible HMT-Series drive units | Ergonomic Handle (Standard) |
|-----------------------------------|-----------------------------|
| HMT1500, 3500, 7500 | SWH6A |



HSQ, Square Drive Hydraulic Torque Wrenches



HMT Series



Maximum Torque at 10.000 psi:

1541 - 7562 Ft.lbs

Maximum Torque at 690 bar:

2089 - 10.252 Nm

Square Drive Range:

3/4 - 1 1/2 inch

Maximum Operating Pressure:

690 bar / 10.000 psi



BSH-Series Sockets

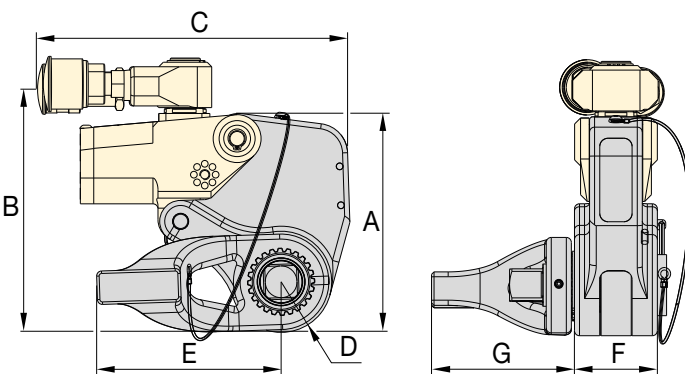
Heavy-Duty Impact Sockets for power driven torquing equipment.

Page: **8**



Select the Right Torque

Choose your Enerpac Torque Wrench using the untightening rule of thumb: Loosening torque equals about 250% of tightening torque.



Torque Pumps

Visit enerpac.com for system matched air and electric torque wrench pumps that are ideal for use with hydraulic torque wrenches.

Page: **10**

SELECTION CHART

| Maximum Torque Output | | Square Drive Size (inch) | Square Drive Cassette * Model Number | Dimensions (inch) | | | | | | | Weight (lbs) | Dimensions (mm) | | | | | | | Weight (kg) |
|-----------------------|--------|--------------------------|--------------------------------------|-------------------|-------|------|------|------|------|------|--------------|-----------------|-----|-----|----|-----|----|-----|-------------|
| (Ft.lbs) | (Nm) | | | A | B | C | D | E | F | G | | A | B | C | D | E | F | G | |
| 1541 | 2089 | 3/4 | HSQ1500 | 5.71 | 6.61 | 6.85 | 1.19 | 2.36 | 1.95 | 3.29 | 8.16 | 145 | 168 | 174 | 30 | 60 | 50 | 84 | 3,7 |
| 3543 | 4804 | 1 | HSQ3500 | 7.54 | 8.23 | 7.95 | 1.52 | 3.07 | 2.58 | 4.35 | 13.01 | 192 | 209 | 202 | 39 | 78 | 66 | 111 | 5,9 |
| 7562 | 10.252 | 1 1/2 | HSQ7500 | 9.60 | 10.08 | 9.25 | 1.99 | 4.33 | 3.23 | 6.32 | 25.13 | 244 | 256 | 235 | 51 | 110 | 82 | 161 | 11,4 |

* IMPORTANT: HMT-drive units must be ordered separately to operate the HSQ-Square Drive Cassettes.



sales@psssa.com.au



1300 794 096



www.psssa.com.au

BSH-Series, Heavy-Duty Sockets

- Heavy-duty impact sockets
- Supplied with "Pin and Ring"

METRIC SOCKETS

| ¾" Square Drive | | 1" Square Drive | | 1½" Square Drive | | 2½" Square Drive | |
|-----------------|--------------|-----------------|--------------|------------------|--------------|------------------|--------------|
| A/F (mm) | Model Number | A/F (mm) | Model Number | A/F (mm) | Model Number | A/F (mm) | Model Number |
| 19 | BSH7519 | 19 | BSH1019 | 36 | BSH1536 | 65 | BSH2565 |
| 24 | BSH7524 | 24 | BSH1024 | 41 | BSH15163 | 70 | BSH2570 |
| 27 | BSH7527 | 27 | BSH1027 | 46 | BSH1546 | 75 | BSH2575 |
| 30 | BSH7530 | 30 | BSH1030 | 50 | BSH1550 | 80 | BSH2580 |
| 32 | BSH7532 | 32 | BSH1032 | 55 | BSH1555 | 85 | BSH2585 |
| 36 | BSH7536 | 36 | BSH1036 | 60 | BSH1560 | 90 | BSH2590 |
| 41 | BSH75163 | 41 | BSH10163 | 65 | BSH1565 | 95 | BSH2595 |
| 46 | BSH7546 | 46 | BSH1046 | 70 | BSH1570 | 100 | BSH25100 |
| 50 | BSH7550 | 50 | BSH1050 | 75 | BSH1575 | 105 | BSH25105 |
| - | - | 55 | BSH1055 | 80 | BSH1580 | 110 | BSH25110 |
| - | - | 60 | BSH1060 | 85 | BSH1585 | 115 | BSH25115 |
| - | - | 65 | BSH1065 | 90 | BSH1590 | 120 | BSH25120 |
| - | - | 70 | BSH1070 | 95 | BSH1595 | 125 | BSH25125 |
| - | - | 75 | BSH1075 | 100 | BSH15100 | 135 | BSH25135 |
| - | - | 80 | BSH1080 | 105 | BSH15105 | 140 | BSH25140 |
| - | - | 85 | BSH1085 | 110 | BSH15110 | 145 | BSH25145 |
| - | - | 90 | BSH1090 | 115 | BSH15115 | 150 | BSH25150 |
| - | - | 95 | BSH1095 | - | - | 155 | BSH25155 |
| - | - | 100 | BSH10100 | - | - | - | - |

BSH Series



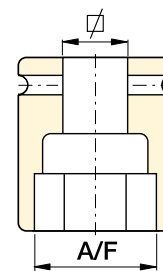
Hexagon Size:

19 - 155 mm | ¾" - 6⅛"



Select the Right Torque

Choose your Enerpac Torque Wrench using the untightening rule of thumb: Loosening torque equals about 250% of tightening torque.



Pin and Ring

All sockets are supplied with a "Pin and Ring" to hold the socket in place on the square drive of the tool.

IMPERIAL SOCKETS

| ¾" Square Drive | | 1" Square Drive | | | | 1½" Square Drive | | | | 2½" Square Drive | | | |
|-----------------------------------|--------------|-----------------------------------|--------------|-----------------------------------|--------------|-----------------------------------|--------------|-----------------------------------|--------------|-----------------------------------|--------------|----------------------------------|--------------|
| A/F (inch) | Model Number | A/F (inch) | Model Number | A/F (inch) | Model Number | A/F (inch) | Model Number | A/F (inch) | Model Number | A/F (inch) | Model Number | A/F (inch) | Model Number |
| ¾" | BSH7519 | ¾" | BSH1019 | 2 ⁵ / ₁₆ " | BSH10231 | 1 ⁷ / ₁₆ " | BSH15144 | 2 ¹³ / ₁₆ " | BSH15281 | 2 ⁷ / ₁₆ " | BSH25244 | 4 ³ / ₁₆ " | BSH25419 |
| 7/8" | BSH75088 | 7/8" | BSH10088 | 2 ³ / ₈ " | BSH10238 | 1½" | BSH1538 | 2 ⁷ / ₈ " | BSH15288 | 2½" | BSH25250 | 4¼" | BSH25425 |
| 1 ⁵ / ₁₆ " | BSH75094 | 1 ⁵ / ₁₆ " | BSH10094 | 2 ⁷ / ₁₆ " | BSH10244 | 1 ⁹ / ₁₆ " | BSH15156 | 2 ¹⁵ / ₁₆ " | BSH1575 | 2 ¹³ / ₁₆ " | BSH2565 | 4 ⁵ / ₁₆ " | BSH25110 |
| 1 ¹ / ₁₆ " | BSH7527 | 1 ¹ / ₁₆ " | BSH1027 | 2½" | BSH10250 | 1 ⁵ / ₈ " | BSH15163 | 3" | BSH15300 | 2 ⁵ / ₈ " | BSH25263 | 4 ³ / ₈ " | BSH25438 |
| 1 ³ / ₁₆ " | BSH7530 | 1 ³ / ₁₆ " | BSH1030 | 2 ⁹ / ₁₆ " | BSH1065 | 1 ¹¹ / ₁₆ " | BSH1543 | 3 ¹ / ₁₆ " | BSH15306 | 2 ¹¹ / ₁₆ " | BSH25269 | 4½" | BSH25450 |
| 1 ¼" | BSH75125 | 1 ¼" | BSH10125 | 2 ⁵ / ₈ " | BSH10263 | 1¾" | BSH15175 | 3 ¹ / ₈ " | BSH15313 | 2¾" | BSH2570 | 4 ⁵ / ₈ " | BSH25463 |
| 1 ⁵ / ₁₆ " | BSH75131 | 1 ⁵ / ₁₆ " | BSH10131 | 2 ¹¹ / ₁₆ " | BSH10269 | 1 ¹³ / ₁₆ " | BSH1546 | 3 ³ / ₁₆ " | BSH15319 | 2 ¹¹ / ₁₆ " | BSH25281 | 4¾" | BSH25475 |
| 1 3/8" | BSH7535 | 1 3/8" | BSH1035 | 2¾" | BSH1070 | 1 ⁷ / ₈ " | BSH15188 | 3¼" | BSH15325 | 2 ⁷ / ₈ " | BSH25288 | 4 ⁷ / ₈ " | BSH25488 |
| 1 ⁷ / ₁₆ " | BSH75144 | 1 ⁷ / ₁₆ " | BSH10144 | 2 ¹³ / ₁₆ " | BSH10281 | 1 ¹⁵ / ₁₆ " | BSH15194 | 3 ³ / ₈ " | BSH15338 | 2 ¹⁵ / ₁₆ " | BSH2575 | 5" | BSH25500 |
| 1½" | BSH7538 | 1½" | BSH1038 | 2 ⁷ / ₈ " | BSH10288 | 2" | BSH15200 | 3½" | BSH15350 | 3" | BSH25300 | 5 ¹ / ₈ " | BSH25513 |
| 1 ⁹ / ₁₆ " | BSH75156 | 1 ⁹ / ₁₆ " | BSH10156 | 2 ¹⁵ / ₁₆ " | BSH1075 | 2 ¹ / ₁₆ " | BSH15206 | 3 ⁵ / ₈ " | BSH15363 | 3 ¹ / ₁₆ " | BSH25306 | 5 ³ / ₁₆ " | BSH25519 |
| 1 ⁵ / ₈ " | BSH75163 | 1 ⁵ / ₈ " | BSH10163 | 3" | BSH10300 | 2 ¹ / ₈ " | BSH15213 | 3¾" | BSH1595 | 3 ¹ / ₈ " | BSH25313 | 5¼" | BSH25525 |
| 1 ¹¹ / ₁₆ " | BSH7543 | 1 ¹¹ / ₁₆ " | BSH1043 | 3 ¹ / ₁₆ " | BSH10306 | 2 ³ / ₁₆ " | BSH15219 | 3 ⁷ / ₈ " | BSH15388 | 3 ³ / ₁₆ " | BSH25319 | 5 ³ / ₈ " | BSH25538 |
| 1¾" | BSH75175 | 1¾" | BSH10175 | 3 ¹ / ₈ " | BSH10313 | 2¼" | BSH15225 | 3 ¹⁵ / ₁₆ " | BSH15100 | 3¼" | BSH25325 | 5½" | BSH25140 |
| 1 ¹³ / ₁₆ " | BSH7546 | 1 ¹³ / ₁₆ " | BSH1046 | 3 ³ / ₁₆ " | BSH10319 | 2 ⁵ / ₁₆ " | BSH15231 | 4" | BSH15400 | 3 ³ / ₈ " | BSH25338 | 5¾" | BSH25575 |
| 1 ⁷ / ₈ " | BSH75188 | 1 ⁷ / ₈ " | BSH10188 | 3¼" | BSH10325 | 2 ³ / ₈ " | BSH15238 | 4 ¹ / ₈ " | BSH15105 | 3½" | BSH25350 | 5 ⁷ / ₈ " | BSH25150 |
| 1 ¹⁵ / ₁₆ " | BSH75194 | 1 ¹⁵ / ₁₆ " | BSH10194 | 3 ³ / ₈ " | BSH10338 | 2 ⁷ / ₁₆ " | BSH15244 | 4 ³ / ₁₆ " | BSH15419 | 3 ⁵ / ₈ " | BSH25363 | 6" | BSH25600 |
| 2" | BSH75200 | 2" | BSH10200 | 3½" | BSH10350 | 2½" | BSH15250 | 4¼" | BSH15425 | 3¾" | BSH2595 | 6 ¹ / ₈ " | BSH25613 |
| - | - | 2 ¹ / ₁₆ " | BSH10206 | 3 ⁵ / ₈ " | BSH10363 | 2 ⁹ / ₁₆ " | BSH1565 | 4 ⁵ / ₁₆ " | BSH15110 | 3 ⁷ / ₈ " | BSH25388 | - | - |
| - | - | 2 ¹ / ₈ " | BSH10213 | 3¾" | BSH1095 | 2 ⁵ / ₈ " | BSH15263 | 4 ³ / ₈ " | BSH15438 | 3 ¹⁵ / ₁₆ " | BSH25100 | - | - |
| - | - | 2 ³ / ₁₆ " | BSH10219 | 3 ⁷ / ₈ " | BSH10388 | 2 ¹¹ / ₁₆ " | BSH15269 | 4½" | BSH15450 | 4" | BSH25400 | - | - |
| - | - | 2¼" | BSH10225 | - | - | 2¾" | BSH1570 | 4 ⁵ / ₈ " | BSH15463 | 4 ¹ / ₈ " | BSH25105 | - | - |



▼ **BUS03 Back-Up Spanner** (safety cable not shown)



- Hands free solution – improves operator safety
- Eliminates the need for flogging spanners
- Speeds up the bolting process
- Includes safety cable with quick-connect carabiner's, stainless steel tethers and secure Allen-key fixings
- Won't lock on during operations
- Lightweight, spark-free and non-impact for improved safety and ease of use
- Two hexagon sizes in one tool, so fewer tools to carry.

▼ **SELECTION CHART BACK-UP SPANNERS**

| Hexagon Sizes (A/F) | | Model Number | Dimensions (mm) | | | | Weight (kg) |
|---------------------|---|---------------|-----------------|-----|----|-----|-------------|
| S1 to S2 (mm) | S1 to S2 (inch) | | A | B | C | D | |
| 27 - 32 | 1 ¹ / ₁₆ - 1 ¹ / ₄ " | BUS 01 | 51 | 98 | 15 | M8 | 0,3 |
| 36 - 41 | 1 ⁷ / ₁₆ - 1 ⁵ / ₈ " | BUS 02 | 62 | 119 | 15 | M8 | 0,4 |
| 46 - 50 | 1 ¹³ / ₁₆ - 2" | BUS 03 | 75 | 141 | 20 | M8 | 0,6 |
| 55 - 60 | 2 ³ / ₁₆ - 2 ³ / ₄ " | BUS 04 | 89 | 166 | 20 | M12 | 0,8 |
| 65 - 70 | 2 ⁹ / ₁₆ - 2 ³ / ₄ " | BUS 05 | 100 | 190 | 25 | M16 | 1,0 |
| 75 - 80 | 2 ¹⁵ / ₁₆ - 3 ¹ / ₈ " | BUS 06 | 112 | 213 | 25 | M16 | 1,3 |
| - | 3 ¹ / ₂ - 3 ⁷ / ₈ " | BUS 07 | 135 | 257 | 30 | M20 | 2,2 |
| - | 4 ¹ / ₄ - 4 ⁵ / ₈ " | BUS 08 | 163 | 310 | 30 | M20 | 3,3 |
| 85 - 90 | - | BUS 09 | 126 | 242 | 25 | M16 | 1,7 |
| 95 - 100 | 3 ³ / ₄ - 3 ¹⁵ / ₁₆ " | BUS 10 | 138 | 266 | 30 | M20 | 2,3 |
| 105 - 110 | 4 ¹ / ₈ - 4 ¹⁵ / ₁₆ " | BUS 11 | 153 | 297 | 30 | M20 | 3,1 |
| 115 - 120 | - | BUS 12 | 165 | 320 | 30 | M20 | 3,5 |

BUS Series

Hexagon Sizes (A/F):
27 - 120 mm

Hexagon Sizes (A/F):
1¹/₁₆ - 4¹⁵/₁₆ inch



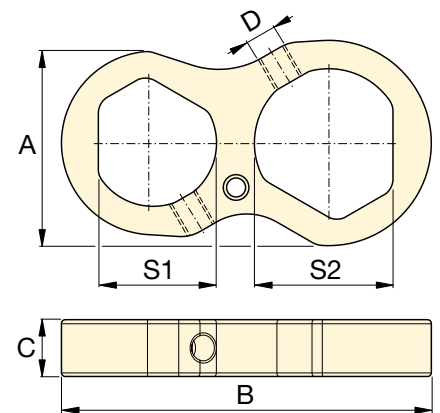
Back-Up Spanners

Hands free operation of a hydraulic torque wrench improves the safety of the operator significantly.

Enerpac Back-Up Spanners are a hands free tool that eliminates the need to use a flogging spanner as a backing tool.

The Back-Up Spanners have been specifically designed to prevent them from locking onto the nut during bolt torquing operations.

They fit easily onto the back nut and prevent it from turning during make up or break out of bolted joints.















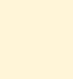





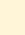








▼ Enerpac Back-Up Spanners to be used to stop the back nut from turning during make up or break out.



Optimum Wrench-Torque Pump Combinations **ENERPAC**

For optimum speed and performance Enerpac recommends the following system set-up with wrench-pump-hose combinations. For other combinations, consult your Enerpac bolting expert or your authorized Enerpac distributor.

| | | ELECTRIC TORQUE PUMPS | | | | | AIR DRIVEN TORQUE PUMPS | |
|--|---|---|---|---|---|---|---|---|
| | | Cordless XC-Series | E-Pulse® E-Series | TQ-Series | ZU4T-Series | ZE-T-Series | LAT-Series | ZA4T-Series |
| | |  |  |  |  |  |  |  |
| Speed: |  |  |  |  |  |  |  |  |
| Oil Flow at 700 bar: | 0,25 l/min | 0,52 l/min | 0,5 l/min | 1,0 l/min | 0,8 - 1,6 l/min | 0,4 l/min | 1,0 l/min | |
| Reservoir Capacity: | 2,0 litres | 3,0 litres | 4,0 litres | 4,6 - 6,8 litres | 4,6 - 39 litres | 3,0 litres | 4,6 - 6,8 litres | |
| Duty Cycle: | Intermittent | Heavy-Duty | Standard | Standard | Heavy-Duty | Standard | Heavy-Duty | |
| Weight: |  |  |  |  |  |  |  | |
| Work: | Field | Field/Factory | Field/Factory | Field | Factory | Field | Field | |
|  | S1500X | Optimal | Optimal | Optimal | Optimal | Optimal | Optimal | Optimal |
| | S3000X | | | | | | | |
| | S6000X | - | Acceptable | Acceptable | | | | |
| | S11000X | | | | | | | |
| | S25000X | | | | | | | |
|  | W2000X | Optimal | Optimal | Optimal | | | | |
| | W4000X | | | | | | | |
| | W8000X | - | Acceptable | Acceptable | | | | |
| | W15000X | | | | | | | |
| | W22000X | | | | | | | |
| W35000X | | | | | | | | |
|  | RSL1500 | Optimal | Optimal | Optimal | Optimal | Optimal | Optimal | Optimal |
| | RSL3000 | | | | | | | |
| | RSL5000 | - | Acceptable | Acceptable | | | | |
| | RSL8000 | | | | | | | |
| | RSL11000 | | | | | | | |
| | RSL19000 | | | | | | | |
| RSL28000 | | | | | | | | |
|  | DSX1500 | Optimal | Optimal | Optimal | Optimal | Optimal | Optimal | Optimal |
| | DSX3000 | | | | | | | |
| | DSX5000 | - | Acceptable | Acceptable | | | | |
| | DSX11000 | | | | | | | |
| | DSX25000 | | | | | | | |
|  | HMT1500 | Optimal | Optimal | Optimal | Optimal | Optimal | Optimal | Optimal |
| | HMT3500 | | | | | | | |
| | HMT7500 | Acceptable | | | | | | |



XC-Series, Portable Cordless Pumps
Ideal for maintenance bolting applications at sites that do not have access to power or where having extension cords or air hoses could cause trip hazards.

E-Series, E-Pulse Portable Torque Pumps
Ideal for high volume fastening applications where weight is critical. Feature an interactive pendant for operation, programming and diagnostics.

TQ-700 Series Electric Torque Pumps
Designed for both portability and production, to deliver superior bolting speed.

ZU4T-Series, Electric Torque Pumps
Works well with long extension cords or generator driven electrical power supplies. Available in **Pro** and **Classic** formats. **ZU4T Pro Pumps** have an LCD feature to display torque or pressure, selectable torque wrench, and self-diagnostics. **ZU4T Classic Pumps** feature an analogue gauge and a basic electrical package to deliver durable, safe and efficient hydraulic power.

ZE-T-Series Electric Torque Pumps
Features LCD to display torque or pressure values, and self-diagnostics. With induction motor, making the ZE-Series the coolest and quietest pumps in their class.

LAT-Series, Lightweight Torque Air Pumps
Combines compact design and high productivity for bolting applications in areas hard to access with larger air powered pumps.

ZA4T-Series Air Driven Torque Pumps
This air driven pump is best suited to power medium to large size torque wrenches.

THQ-Series, Torque Wrench Hoses
Use Enerpac THQ-700 Series twin hoses with all torque wrenches to ensure the integrity of your hydraulic system.



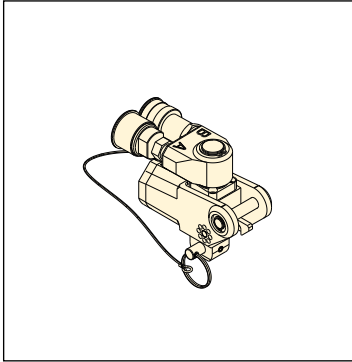
sales@psssa.com.au



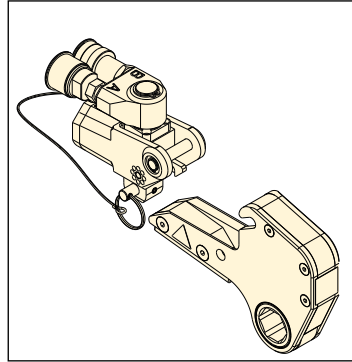
1300 794 096



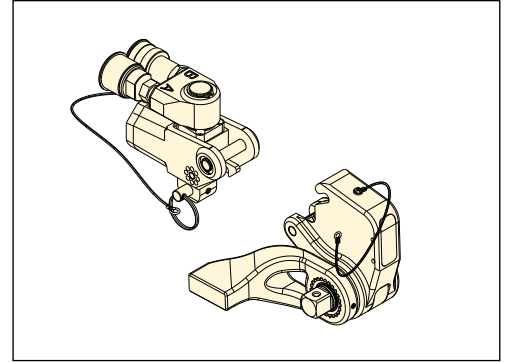
www.psssa.com.au



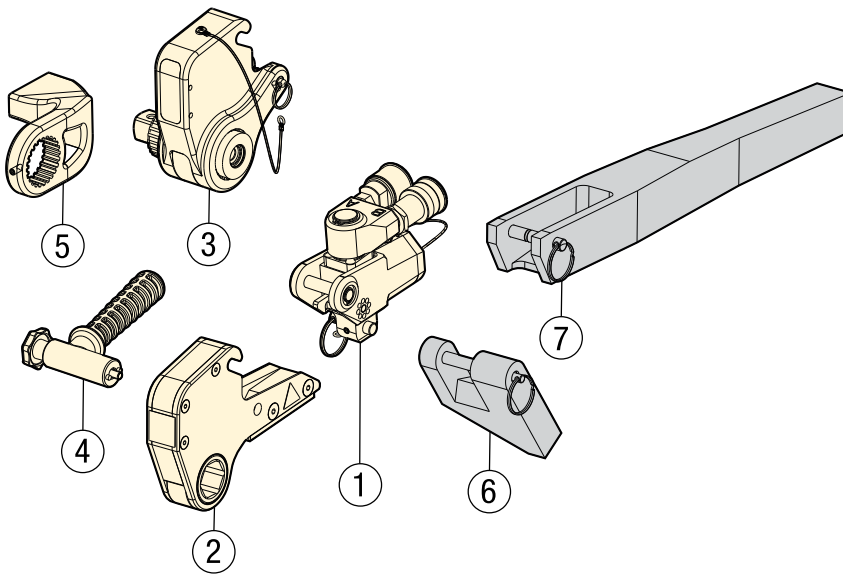
HMT



HMT...HLP



HMT...HSQ



- ① Drive Unit (HMT)
- ② Hexagon Cassette (HLP)
- ③ Square Drive Cassette (HSQ)
- ④ Ergonomic Tool Handle
- ⑤ Reaction Arm for Square Drive Cassette

Optional Parts (only available per request)

- ⑥ Reaction Paddle
- ⑦ Extended Reaction Arm

Enerpac Online Bolting Calculator (Bolting Integrity Software)



Bolting Integrity Software

Visit enerpac.com to access our free on-line bolting software application. A comprehensive free online software solution for Bolted Joint Integrity.

Integral databases hold data for:

- BS1560, MSS SP44, API 6A and 17D flanged joints
- Common gasket materials and configurations
- Comprehensive range of bolt materials
- Comprehensive range of lubricants
- Enerpac's Controlled Bolting Equipment including: Torque Multipliers, Hydraulic Wrenches and Bolt Tensioning tools.

Custom Joint information can also be entered

The software offers Tool selection, Bolt Load calculations and Tool pressure settings, as well as a combined Application data sheet and Joint completion report.





THE RIGHT TOOL MAKES ALL THE DIFFERENCE

Enerpac bolting tools are put to work under the most intense and demanding conditions. That's why we never compromise. So you can rely on quality and precision every time for your controlled tightening and joint integrity applications.

As a global leader in high-pressure hydraulic tools, controlled force products and solutions for precision positioning of heavy loads, Enerpac products have moved and maintained some of the largest structures on earth. They are the industry standard in aerospace, infrastructure, manufacturing, mining, oil & gas, power generation and much more.

ELITE TOOLS. FOR ELITE PROFESSIONALS.

Controlled Tightening and Loosening



S-, W-, RSL-, DSX and HMT-Series Hydraulic Torque Wrenches



STTL-Series Safe T™ Torque Lock



Manual Torque Multipliers



Pneumatic and Electric Torque Wrenches



Cordless Torque Pumps



Electric Torque Pumps



Pneumatic Torque Pumps

Tensioning Tools



Power Generation Bolt Tensioners



HydraMax, General Purpose and Aquajack® Subsea Tensioners



Electric Tensioning Pumps



Pneumatic Tensioning Pumps



High-Pressure Hand Pumps

Joint Assembly & Joint Separation



Hydraulic Nut Cutters and Nut Splitters



Flange Alignment Tools



Flange Face Tool



Flange Spreaders



Flange Puller Sets



Valve Change-Out Tool Sets



sales@psssa.com.au



1300 794 096



www.psssa.com.au