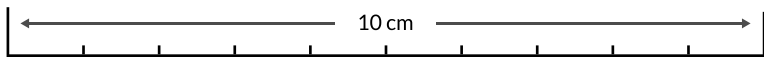
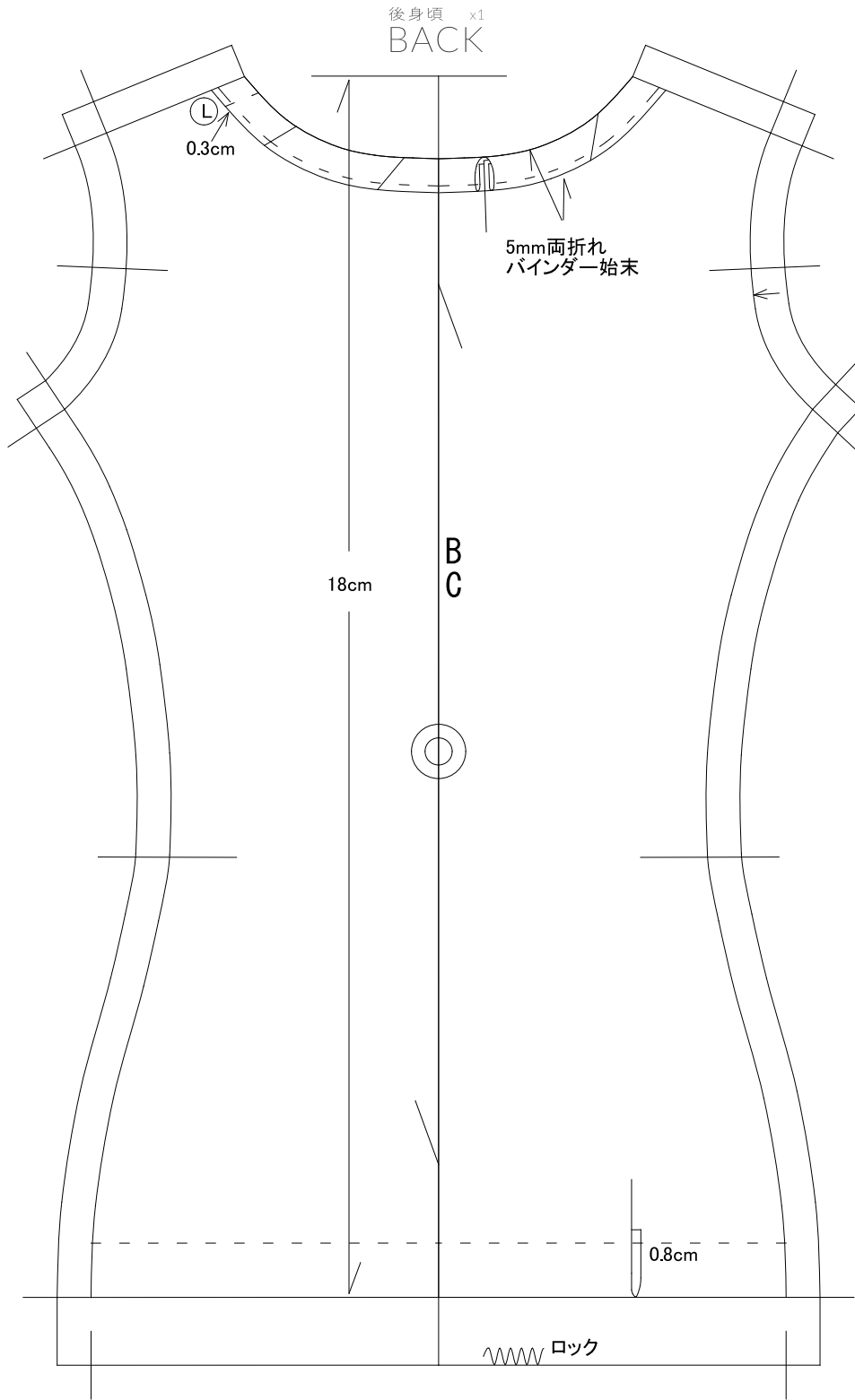


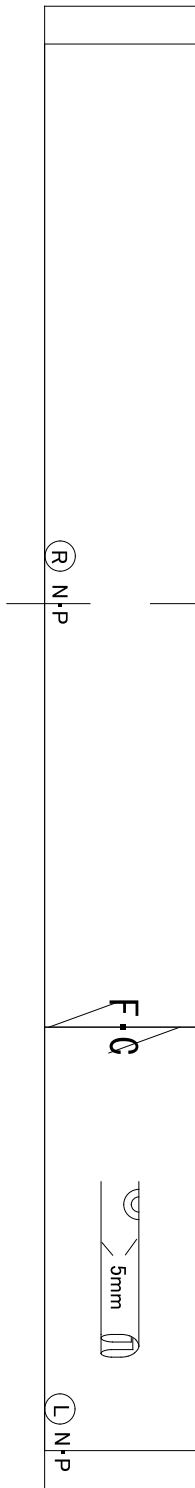
SMARTDOLL WOMENS T-SHIRT

DESIGNED BY DANNY CHOO

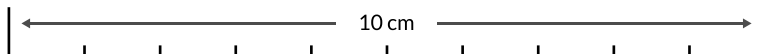
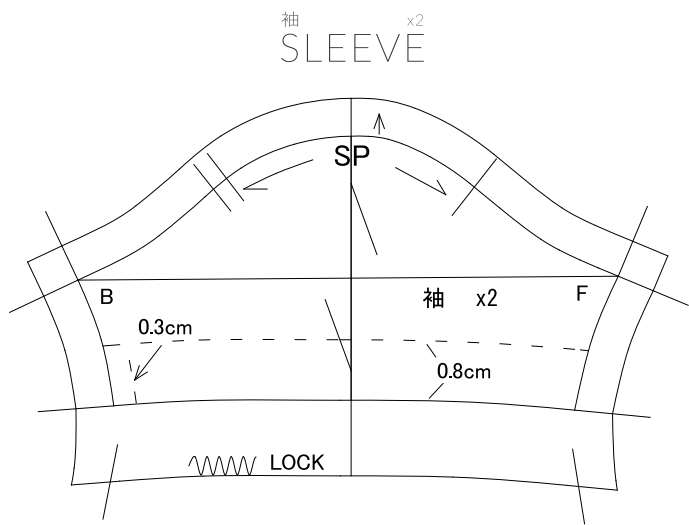


SMARTDOLL WOMENS T-SHIRT

DESIGNED BY DANNY CHOO



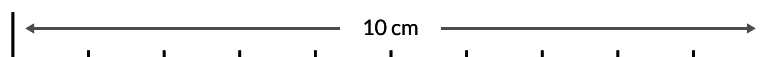
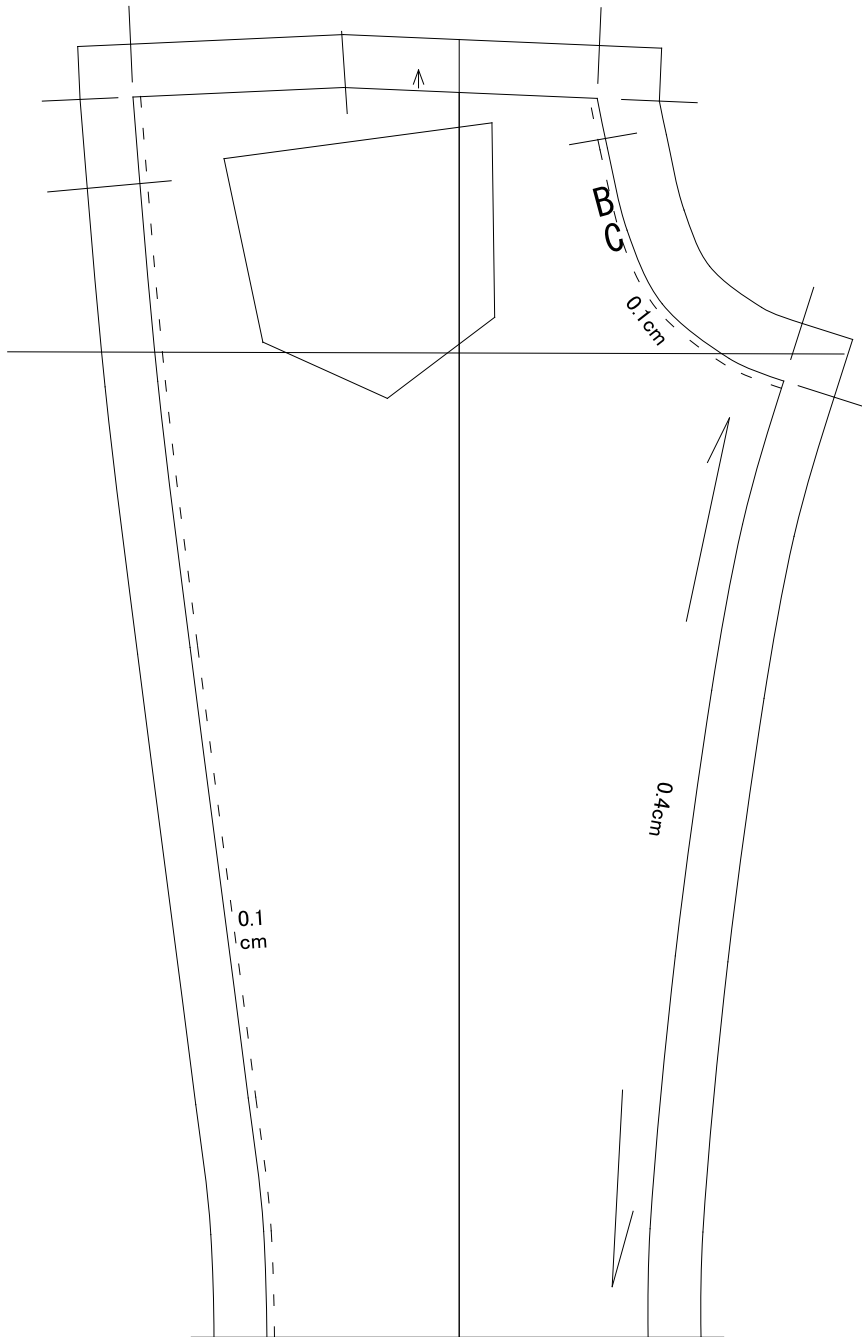
バネコリ
NECK LINE BINDER x2



SMARTDOLL WOMENS T-SHIRT

DESIGNED BY DANNY CHOO

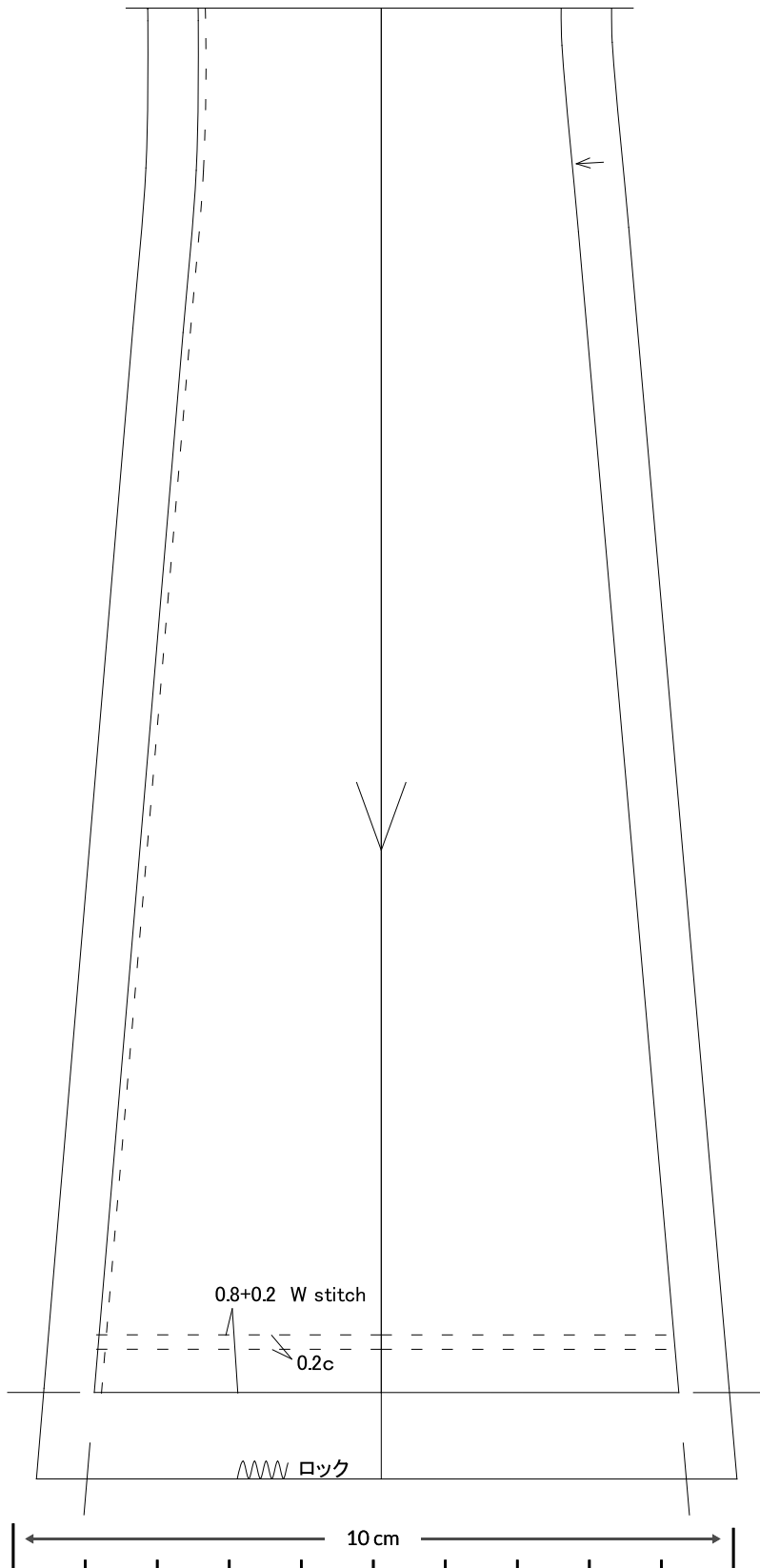
後パンツ x2
BACK UPPER



SMARTDOLL
WOMENS TROUSERS

DESIGNED BY DANNY CHOO

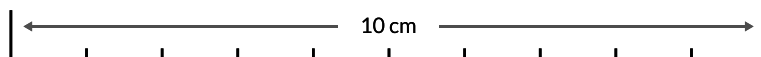
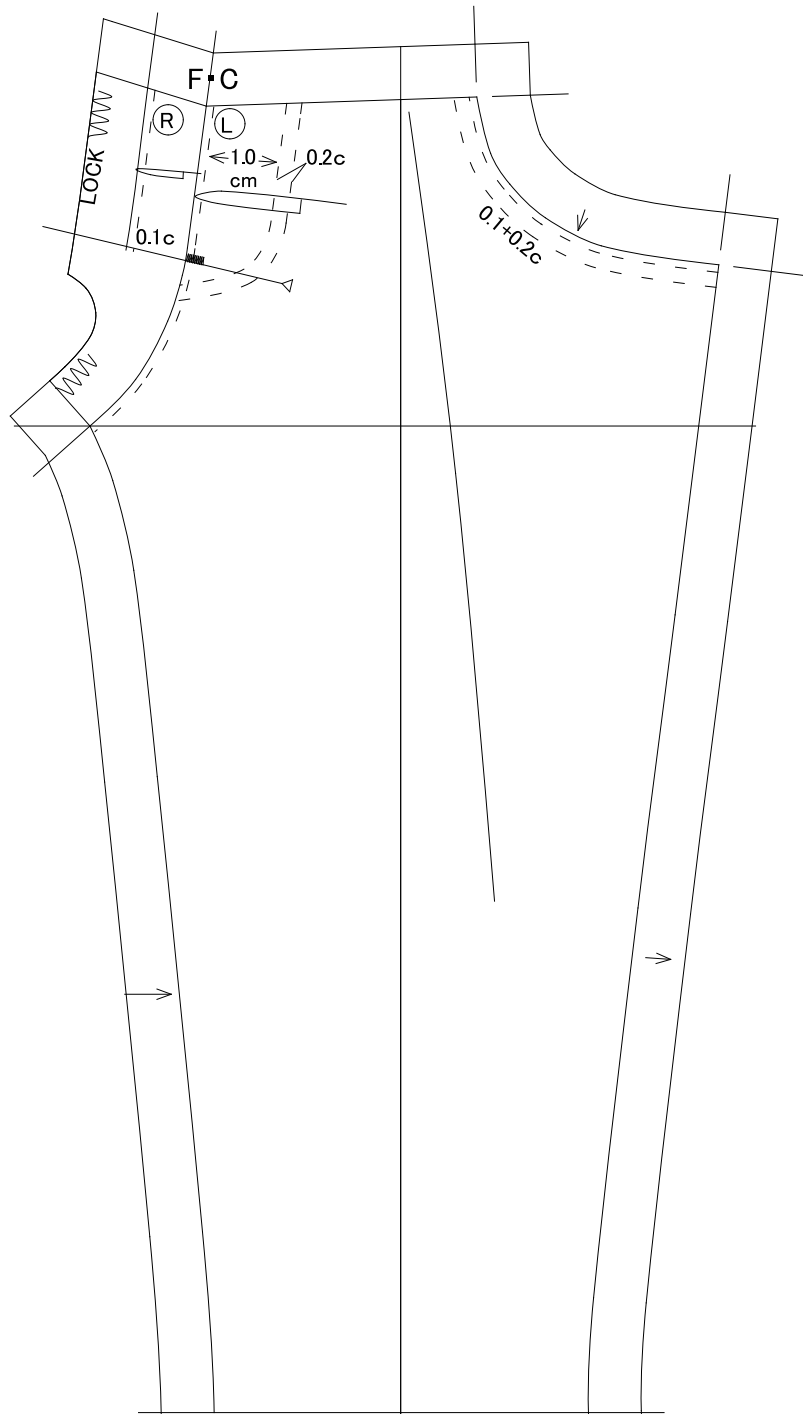
後パンツ ^{x2}
BACK LOWER



SMARTDOLL
WOMENS TROUSERS

DESIGNED BY DANNY CHOO

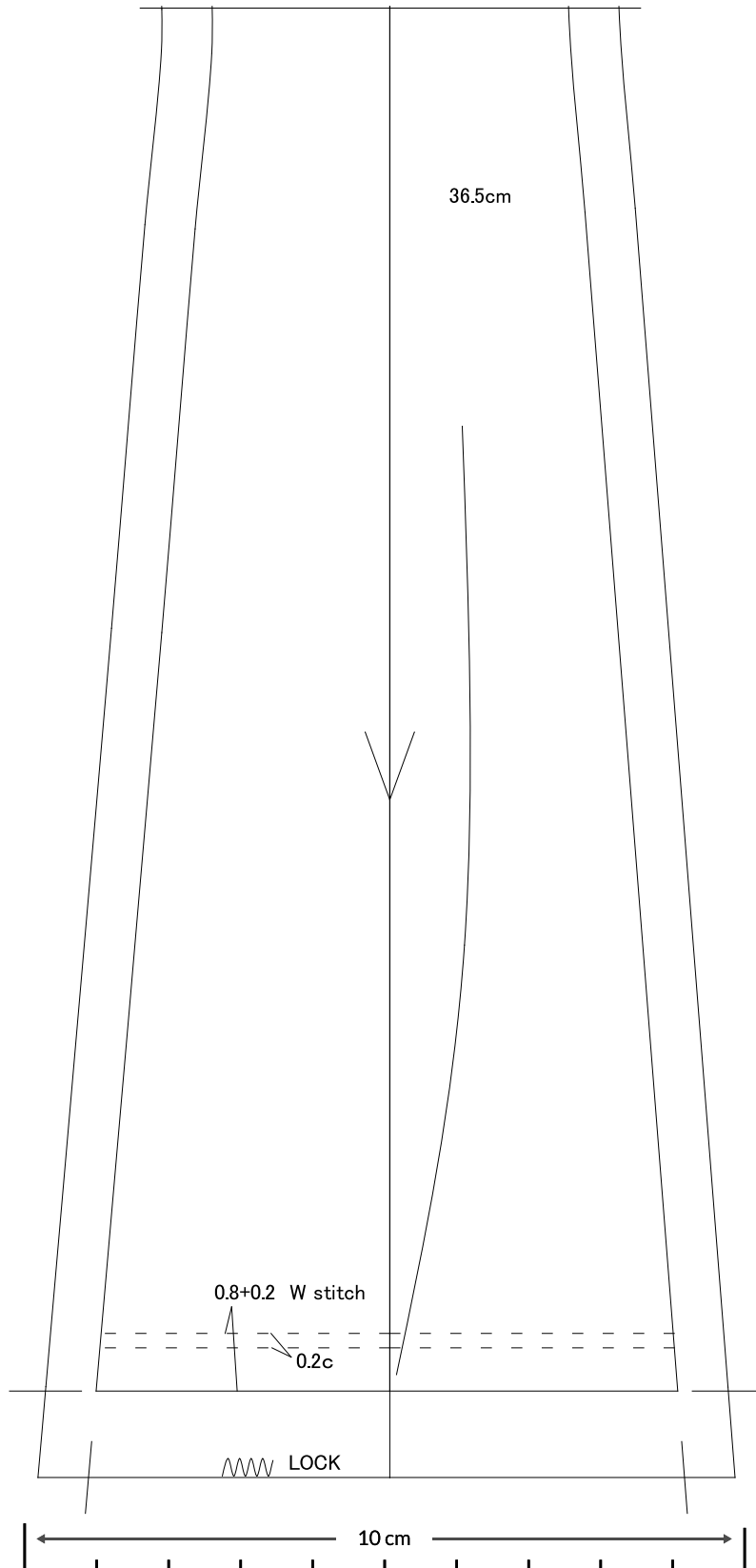
前パンツ ^{x2}
FRONT UPPER



SMARTDOLL
WOMENS TROUSERS

DESIGNED BY DANNY CHOO

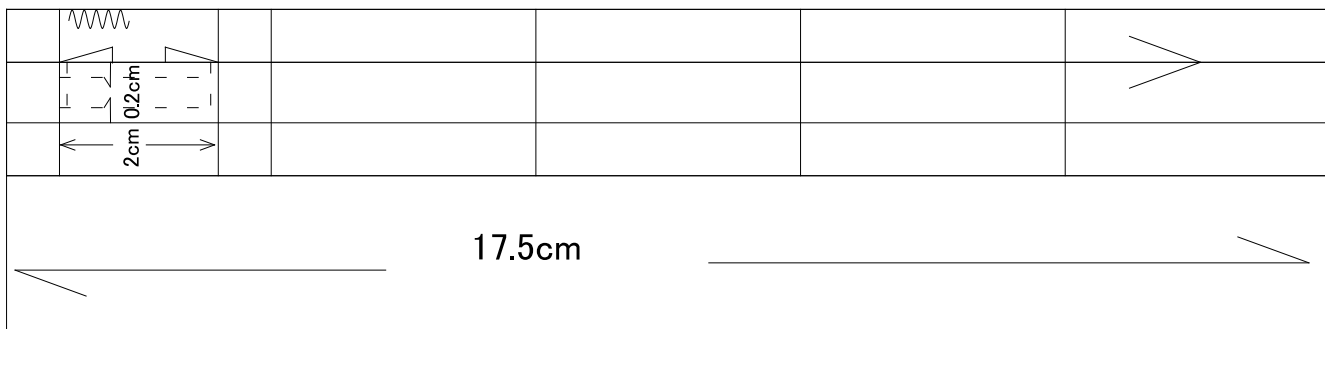
前パンツ ^{x2}
FRONT LOWER



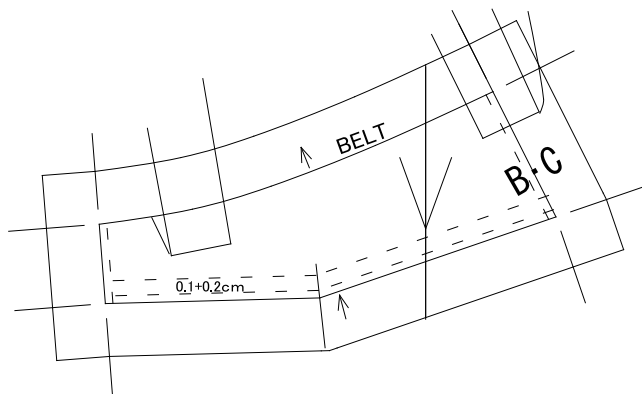
SMARTDOLL
WOMENS TROUSERS

DESIGNED BY DANNY CHOO

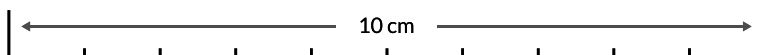
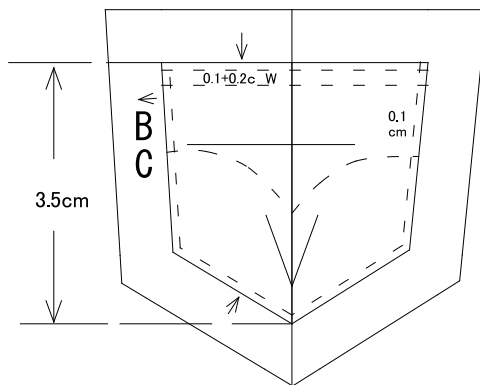
ベルトループ (CUT=5) x1
BELT LOOP



後ヨーク BACK YOKE x2



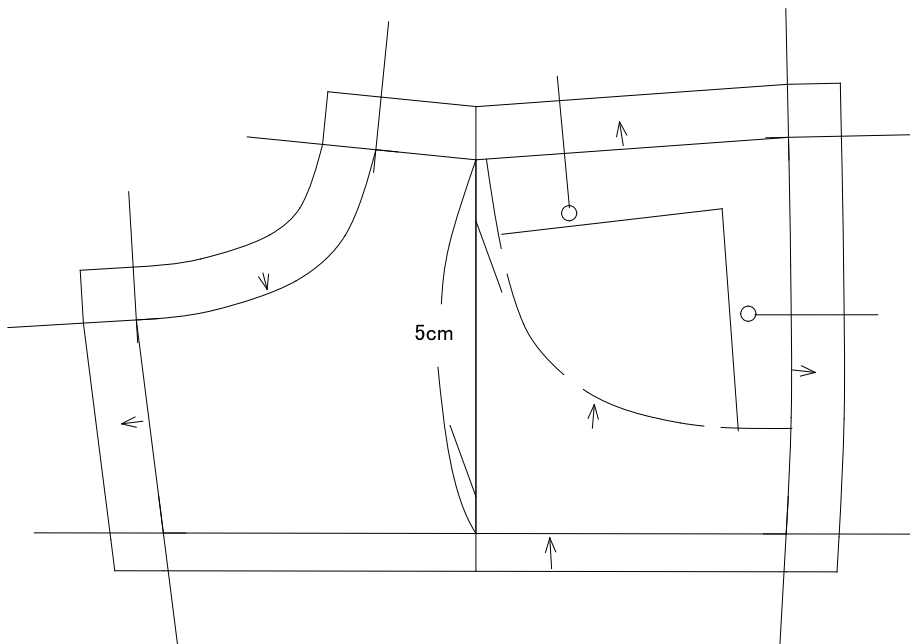
後ポケット POCKET BACK x2



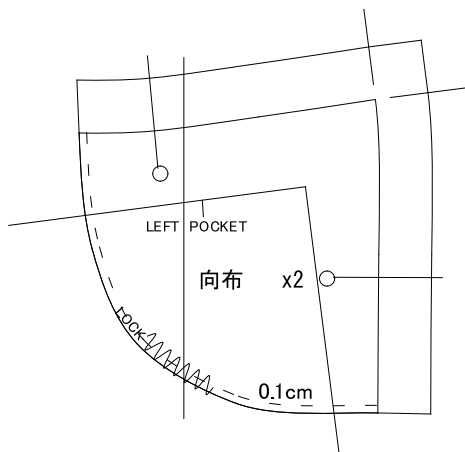
SMARTDOLL
WOMENS TROUSERS

DESIGNED BY DANNY CHOO

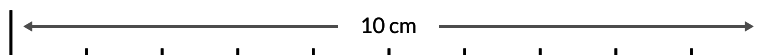
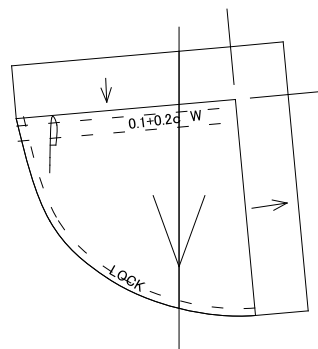
手前袋布 x2
POCKET FRONT



向袋布 x2
POCKET BACK

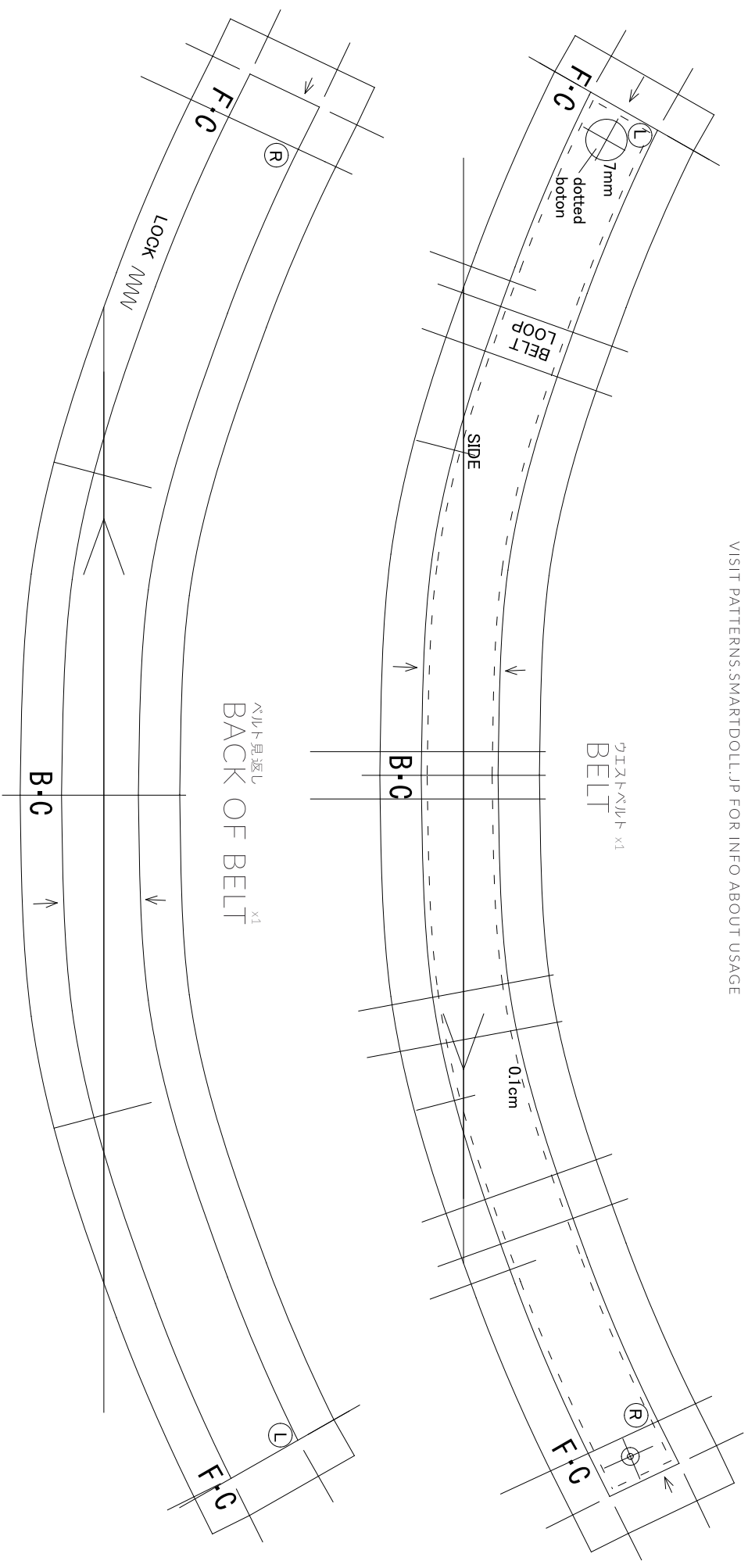


左ポケット x1
LEFT POCKET



SMARTDOLL WOMENS TROUSERS

DESIGNED BY DANNY CHOO



SMARTDOLL WOMENS TROUSERS

DESIGNED BY DANNY CHOO