

AQUALINE 80CF

CARTRIDGE FILTER HOUSING FOR HIGH FLOW APPLICATIONS

CARTRIDGE FILTER HOUSING DATASHEET

ARTICLE CODE : 80CF15-60 (Non coded)

GENERAL INFORMATION

AquaLine 80CF15 is a cartridge filter housing of standard 8" diameter designed to meet the demands of cost effective, continuous long term use as a housing for cartridge filtration. Manufactured by CodeLine using corrosion resistant epoxy / glass composite & designed to operate at 150 psi pressure. AquaLine housing can accommodate single AquaLine cartridge of 60" long. AquaLine housings meet the demanding needs of Sea Water applications.

CERTIFICATION

- CE Certified

SPECIFICATION*

Model No.	Drawing No.	Design/Operating Pressure	Max. Operating Temperature	Qualification Pressure	Element Length
AQUALINE 80CF15-60(NC)	17028	150 PSI/10 Bar	140°F/60°C	900 PSI/62 Bar	60"

* Specifications subject to change without notice (for more details refer to model specific engineering drawings)

UNIQUE BENEFITS

- Quick Opening Closure Mechanism : The user friendly Quick opening closure mechanism eliminates the requirement of special tools allowing access to elements in seconds. Change-outs are very quick, saving labor time & downtime
- Corrosion Resistant FRP : Manufactured using FRP technology, AquaLine housings are hassle free & cost effective alternative to metallic housings
- Stackable Design: AquaLine housings can be mounted horizontally in a skid or RO rack, saving valuable floor space. Flexibility to install vertically too
- Modular & Scalable : AquaLine housings are modular in design and can be scaled up to higher capacities as per demand

UNIQUE FEATURES

- Super Duplex FC ports for Sea water compatibility
- 3" IPS Grooved Multi-porting option for connecting vessels to each other
- Drain port for flushing out residual water
- Air vent port for purging out air
- Mirror Finish ID for easy & quick loading & unloading of elements
- Housing exterior coated with High Gloss Polyurethane UV resistant paint

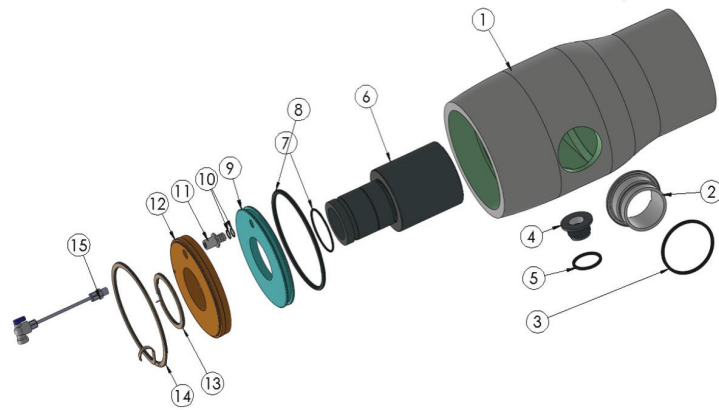
AQUALINE 80CF

CARTRIDGE FILTER HOUSING FOR HIGH FLOW APPLICATIONS

CARTRIDGE FILTER HOUSING DATASHEET

EXPLODED VIEW & DETAILS- FEED/ PRODUCT END

A GENERIC VIEW FOR VISUAL REFERENCE ONLY



DRG REG	QTY	Description	Material	80CF15-60 Non Coded
				Part number
1	1	SHELL	Filament Wound Epoxy/Glass composites. Head Locking grooves integrally wound in place	ORDER SECTION
2	A/R	3" F/C Port	CD3MWCuN	96327
3	A/R	3" F/C Port Seal	Ethylene Propylene	96119
4	1	1" FNPT Drain Port	CD3MWCuN	17180
5	1	1" Drain Port seal	Ethylene Propylene	45340
6	1	3" Product Port	Engineering Thermoplastic	17187
7	1	Product Port seal	Ethylene Propylene - O Ring	17128
8	1	Head Seal	Ethylene Propylene - O Ring	96000
9	1	Sealing plate -Product Side	Engineering Thermoplastic	17175
10	2	1/4" Air Vent Port Seal	Ethylene Propylene - O Ring	45286
11	1	1/4" Air Vent Port	Engineering Thermoplastic	17174
12	1	Bearing plate -Product Side	6061-T6 Aluminum Alloy - Hard Anodized	17176
13	1	3" Port Retainer Ring	316 Stainless Steel.	17127
14	1	Retaining Ring	316 Stainless Steel	47336
15	1	Air vent Assembly	Engineering Thermoplastic Assembly	17185

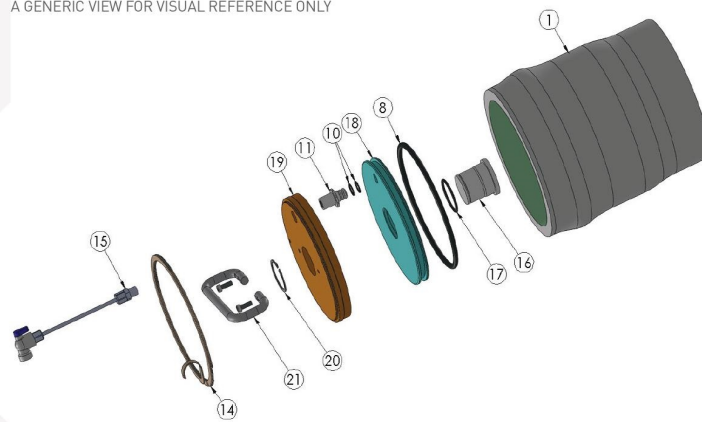
AQUALINE 80CF

CARTRIDGE FILTER HOUSING FOR HIGH FLOW APPLICATIONS

CARTRIDGE FILTER HOUSING DATASHEET

EXPLODED VIEW & DETAILS- DEAD END

A GENERIC VIEW FOR VISUAL REFERENCE ONLY



DRG REG	QTY	Description	Material	80CF15-60 Non Coded
				Part number
1	1	SHELL	Filament Wound Epoxy/Glass composites. Head Locking grooves integrally wound in place	ORDER SECTION
8	1	Head Seal	Ethylene Propylene – O Ring	96000
10	2	1/4" Air Vent Port Seal	Ethylene Propylene – O Ring	45286
11	1	1/4" Air Vent Port	Engineering Thermoplastic	17174
14	1	Retaining Ring	316 Stainless Steel	47336
15	1	Air vent Assembly	Engineering Thermoplastic Assembly	17185
16	1	Plug	Engineering Thermoplastic	17132
17	1	Plug Seal	Ethylene Propylene – O Ring	45312
18	1	Sealing plate –Handle Side	Engineering Thermoplastic	17178
19	1	Bearing plate – Handle Side	6061-T6 Aluminum Alloy – Hard Anodized	17179
20	1	Plug Retainer Ring	316L Stainless Steel	45247
21	1	Handle Assembly	316 Stainless Steel	17104
22*	2	Saddle	Engineering Thermoplastic	52169
23*	2	Strap Assembly	304 Stainless Steel – PVC Cushion	45042
24*	4	Strap Screw	5/16-18 UNC, 18-8 Stainless Steel	46265

* Not shown in the above exploded view



Note: The information and data contained in this document are based on our general experience and are believed to be correct. They are given in good faith and are intended to provide a guideline for the selection and use of our products. Since the conditions under which our products may be used are beyond our control, this information does not imply any guarantee of final product performance and we cannot accept any liability with respect to the use of our products. The quality of our products is guaranteed under our conditions of sale. Existing industrial property rights must be observed.
DS AQUALINE 80CF15 NC EN 1716 © 2016 Pentair. All Rights Reserved.

