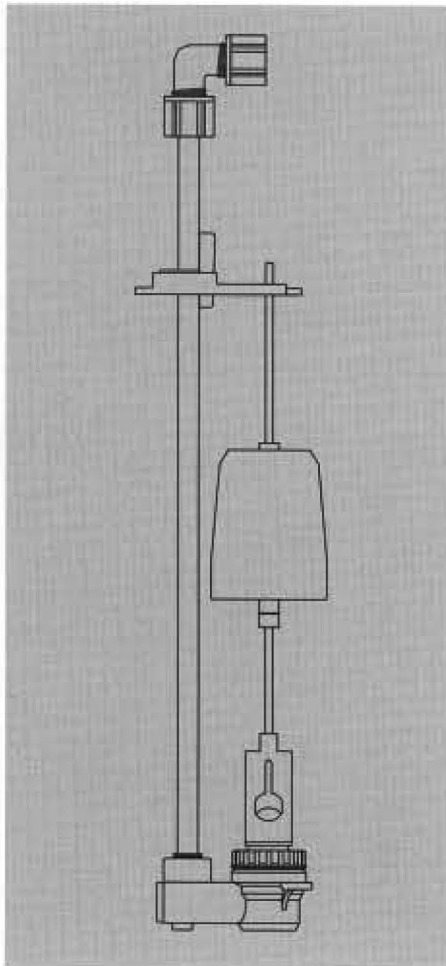


464 Brine Valve Series

Our popular 464 brine valve is available in three models; Standard, Control Flow and High Flow, to allow you to chose the best model for your application. The 464 brine valve

can be used on residential and light commercial applications refilling up to one gallon per minute. Each model is equipped with an air check to prevent air from being pulled into the

system during the brine draw cycle. Proven reliable for over 30 years, the 464 brine valve is just one of the many brine components available from Clack Corporation.



System Features:

- Easily adjustable to fit all brine tanks and cabinets
- Fits both 3½" and 4" brine wells
- Built-in air check prevents air from being drawn into the system
- Refill and brine draw rates of up to 1 gpm
- Can be used as brine refill shut-off valve or safety back-up float
- Easily adjustable float setting
- Materials are FDA compliant and/or NSF certified

Order Information

Order #	Description	Qty/Carton
H7025-14"	464 Standard 14" float rod	18
H7025-14"CF	464 Control Flow 14" float rod	18
H7025-14"HF	464 High Flow 14" float rod	18
H7025-24"	464 Standard 24" float rod	18
H7025-24"CF	464 Control Flow 24" float rod	18
H7025-24"HF	464 High Flow 24" float rod	18

Riser pipe, top elbow and polytube insert must be ordered separately. See back page for order numbers.

464 Reference Guide

Brine Valve Description	Color of Body	Hole Size in Body	Refill Ball in Body	Control Valve Refill Style	Control Valve Refill Flow Rate
Standard	Black	Small	Yes	No Timed Refill ¹	0.35 gpm ²
Control Flow	Blue	Medium	Yes	Timed Refill	Up to 0.6 gpm
High Flow	White	Large	No	Timed Refill	Up to 1.0 gpm

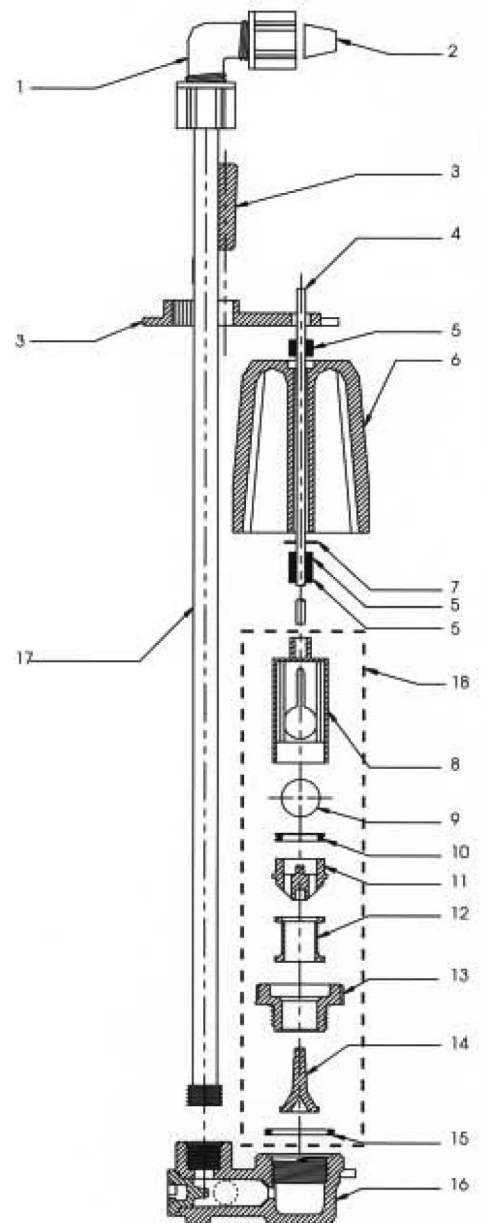
¹ The Standard brine valve should **not** be used on systems with timed brine refill flow controls.

² At 50 psi

Detailed Assembly Information

Drawing Number	Order Number	Description
1	S1366	3/8" x 3/8" union elbow (must be purchased separately)
2	S1197	3/8" polytube insert (must be purchased separately)
3 or	H7041	1/4" guide and lock (sold as a set)
3	H7041-3/8	3/8" guide and lock (sold as a set)
4 or	H7038	float rod - 14"
4	H7038-01	float rod - 24"
5	H7039	float grommet (2 required for Standard, 3 required for Control and High Flow)
6 or	H7040	light bell float (for Standard)
6	H7040-02	heavy bell float (for Control and High Flow)
7	H7042	washer (for Standard only)
8	H7046	ball cage
9	H7047	air check ball
10	H7048	quad cup seat
11	H7046-C	ball cage cone
12	H7052	spool seat
13	H7044	crown nut
14	H7051	stem
15	H7035	quad ring
16 or	H7030	464 Standard body with ball (black)
16 or	H7030-01	464 High flow body, no ball (white)
16	H7030-02	464 Control flow body, with ball (blue)
17 or	H1035-26.75*	3/8" x 26.75" rigid PVC (for 28" brine wells)
17 or	H1035-27.75*	3/8" x 27.75" rigid PVC (for 29" brine wells)
17 or	H1035-28.75*	3/8" x 28.75" rigid PVC (for 30" brine wells)
17	H1035-34.75*	3/8" x 34.75" rigid PVC (for 36" brine wells)
18	H7028	air check assembly

*Riser pipe includes 1/4" male threaded fitting on one end.

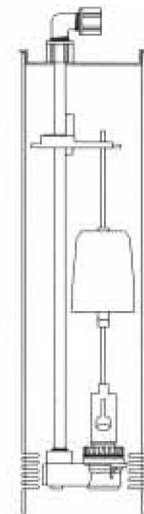


Brine Valve Assembly Kits

Order #	Description	Qty/Carton
H7076-28	464 high flow assembled in a 3.5" x 28" slotted brine well	25
H7078-28	464 control flow assembled in a 3.5" x 28" slotted brine well	25
H7076-29	464 high flow assembled in a 3.5" x 29" slotted brine well	25
H7078-29	464 control flow assembled in a 3.5" x 29" slotted brine well	25
H7076-30	464 high flow assembled in a 3.5" x 30" slotted brine well	25
H7078-30	464 control flow assembled in a 3.5" x 30" slotted brine well	25
H7076-36	464 high flow assembled in a 3.5" x 36" slotted brine well	25
H7078-36	464 control flow assembled in a 3.5" x 36" slotted brine well	25

All assemblies include a 3.5" brine well cap, 3/8" x 3/8" elbow, and 3/8" polytube insert. All assemblies are 100% air tested to insure proper functioning.

Clack Corporation 



Distributed by: Aqua Purification Systems, Inc. - USA - Fax: 408-225-7974

E-mail: sales@aquapurification.com - www.aquapurification.com - www.birmfilter.com