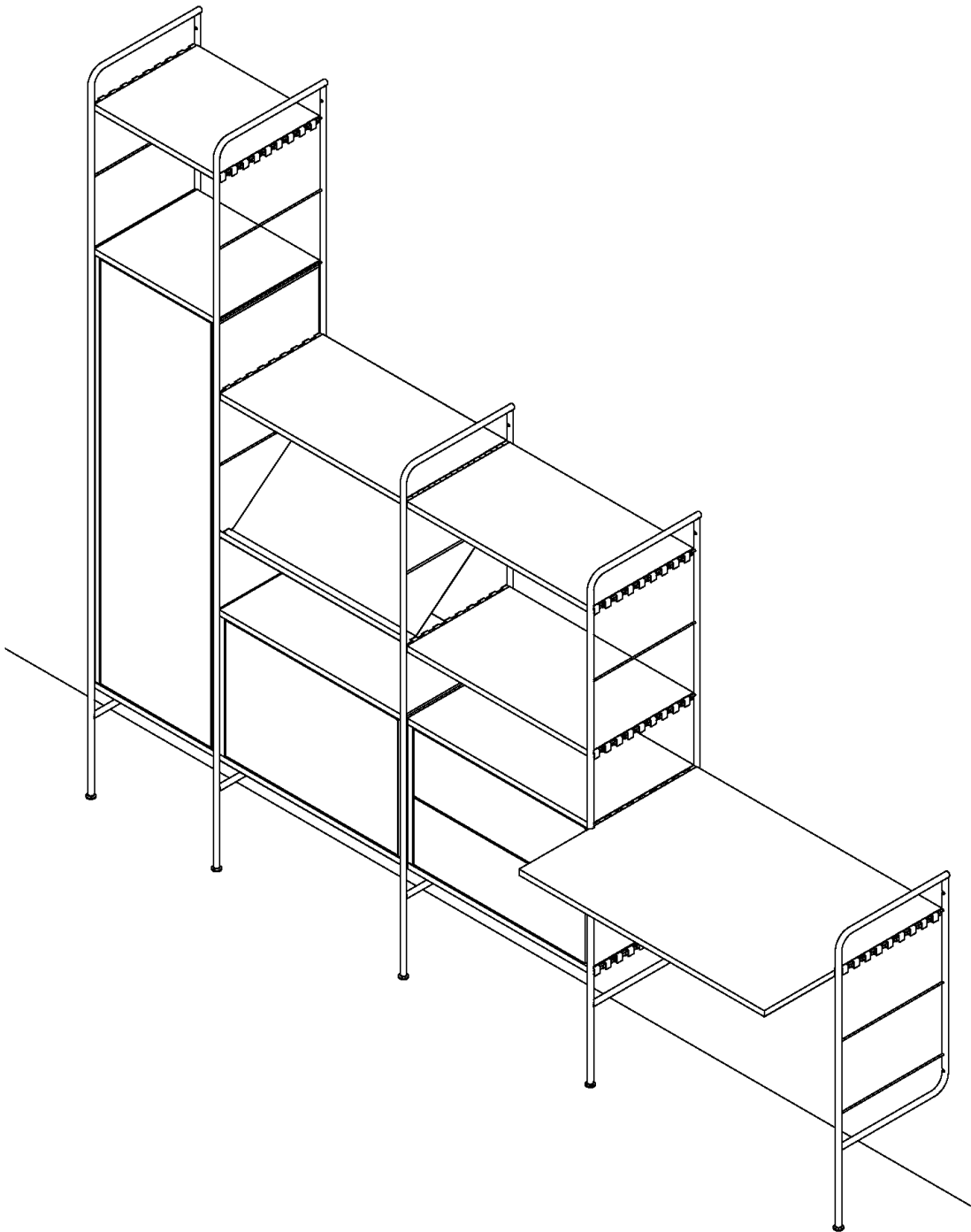


organised



ASSEMBLY & MOUNTING INSTRUCTION

SHELVING SYSTEM

CONTENT

THIS INSTRUCTION COVERS ALL VARIATIONS OF THE ORGANISED SHELF SYSTEM. THE SHOWN COMBINATION IS AN EXAMPLE.

SAFETY

SAFETY.....	4
-------------	---

ASSEMBLY INSTRUCTIONS

TOOLS.....	6
MAINTENANCE.....	6
PANELS FLOOR & WALL.....	7
SHELF ASSEMBLY.....	9
COAT RACK ASSEMBLY.....	11
MAGAZINE/SHOE SHELF ASSEMBLY.....	13
DESK ASSEMBLY.....	15
CABINET ASSEMBLY.....	18
DRAWER CABINET ASSEMBLY.....	26
DRAWER ASSEMBLY.....	31

MOUNTING INSTRUCTIONS

SHELF/COAT RACK MOUNTING.....	36
MAGAZINE/SHOE SHELF MOUNTING.....	44
DESK MOUNTING.....	45
CABINET MOUNTING.....	47
DRAWER MOUNTING.....	52
ADDITION MOUNTING.....	57

SAFETY



INSTRUCTION

IMPORTANT INFORMATION. READ CAREFULLY. FOLLOW EACH STEP IN THE INSTRUCTIONS CAREFULLY. SAVE THIS INFORMATION FOR FUTURE REFERENCE.



WARNING!

SERIOUS DAMAGE AND INJURY CAN OCCUR IF THE FURNITURE TIPS OVER. TO PREVENT THE RISK OF TIPPING OVER, THE FURNITURE MUST BE ATTACHED TO THE WALL.



ATTENTION!

SHELF 400MM & 600MM MAXIMUM 25 KG EVENLY DISTRIBUTED TO AVOID FLEX.
SHELF 800MM MAXIMUM 15 KG EVENLY DISTRIBUTED TO AVOID FLEX.



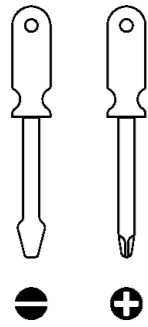
WARNING!

DO NOT CLIMB THE SHELVING SYSTEM



ASSEMBLY INSTRUCTIONS

TOOLS



SCREWDRIVERS



PENCIL

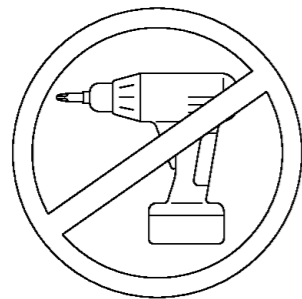


SPIRIT LEVEL



RAWPLUGS
(NOT INCLUDED)

FOR ADVICE ON SUITABLE SCREWS, MOUNTING BRACKETS OR PLUGS, WE RECOMMEND CONSULTING A SPECIALIST ON CONSTRUCTION OR A NEARBY DIY HARDWARE STORE.

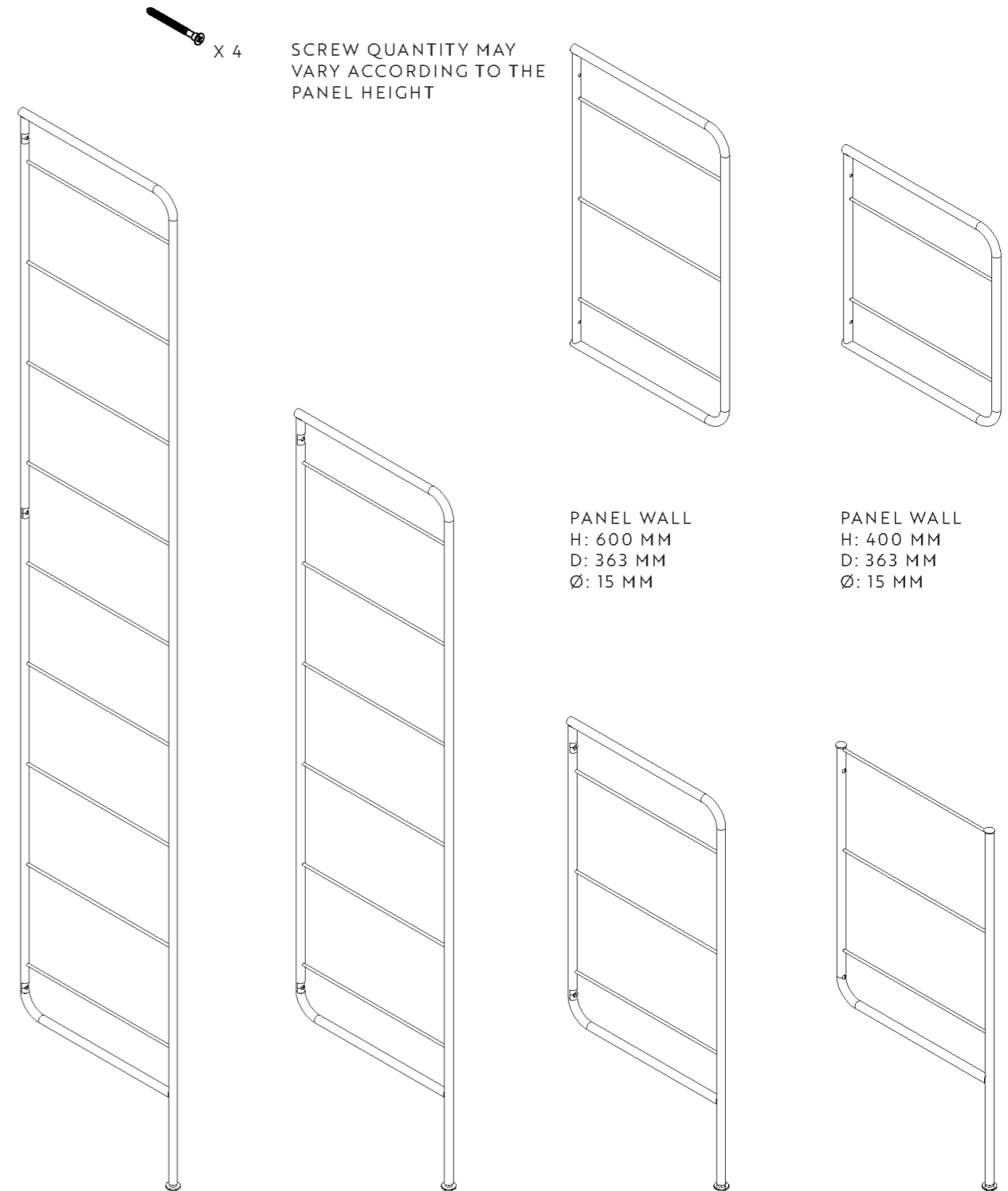


WARNING!
DO NOT USE ELECTRIC SCREWDRIVER

MAINTENANCE

WIPE WITH A MILD DETERGENT ON DAMP CLOTH .
WIPE WITH A DRY CLOTH.

FLOOR & WALL PANEL PARTS



SCREW QUANTITY MAY VARY ACCORDING TO THE PANEL HEIGHT

PANEL WALL
H: 600 MM
D: 363 MM
Ø: 15 MM

PANEL WALL
H: 400 MM
D: 363 MM
Ø: 15 MM

PANEL FLOOR
H: 2048 MM
D: 363 MM
Ø: 15 MM

PANEL FLOOR
H: 1436 MM
D: 363 MM
Ø: 15 MM

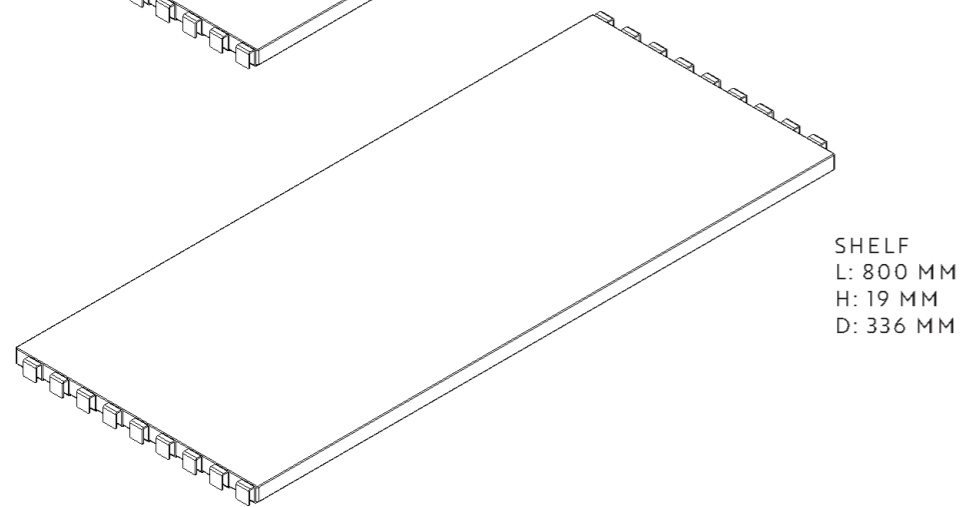
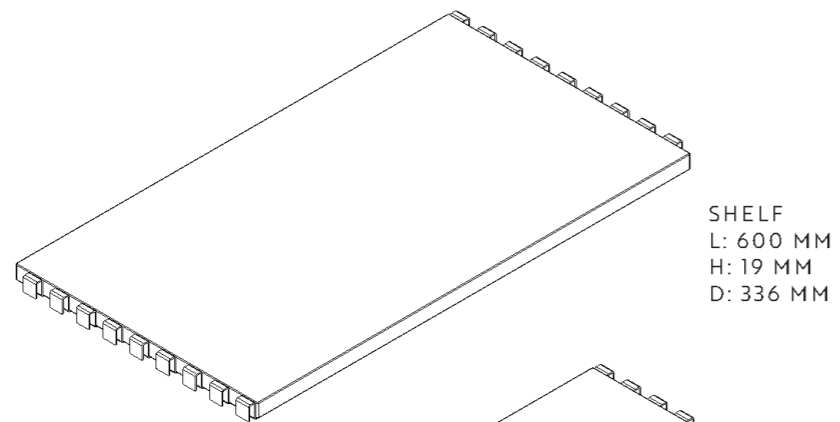
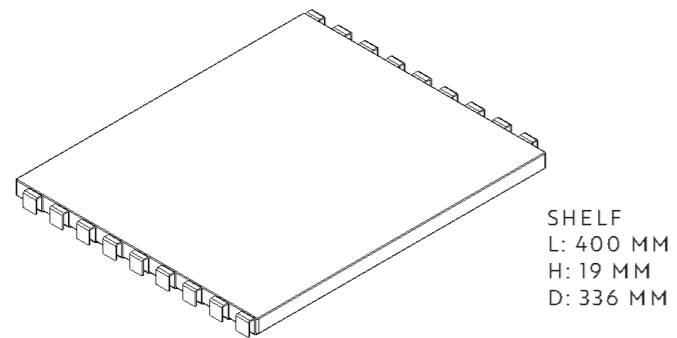
PANEL FLOOR
H: 824 MM
D: 363 MM
Ø: 15 MM

MEDIA PANEL FLOOR
H: 726 MM
D: 363 MM
Ø: 15 MM

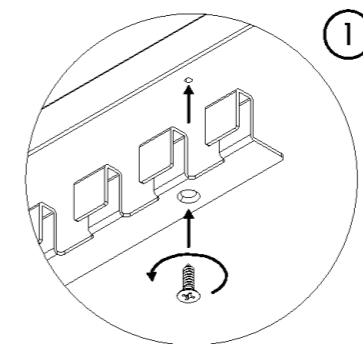
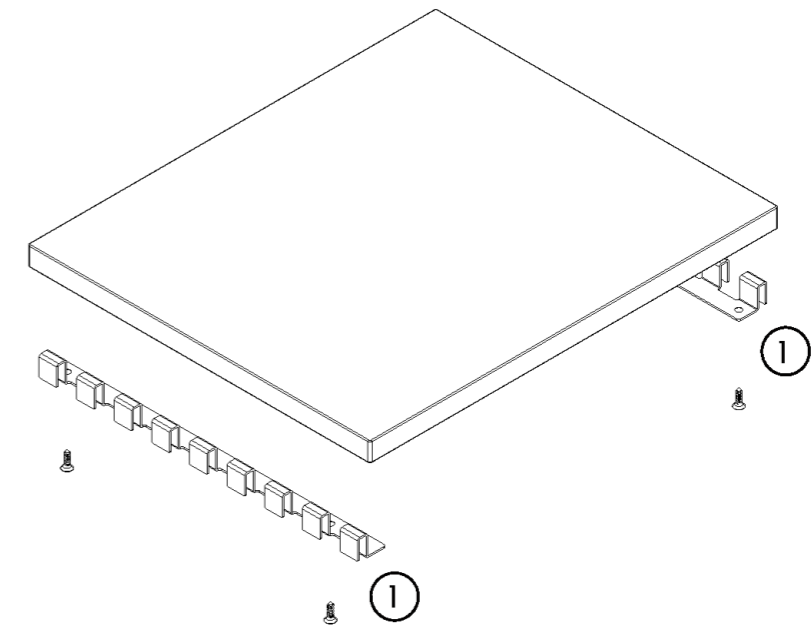
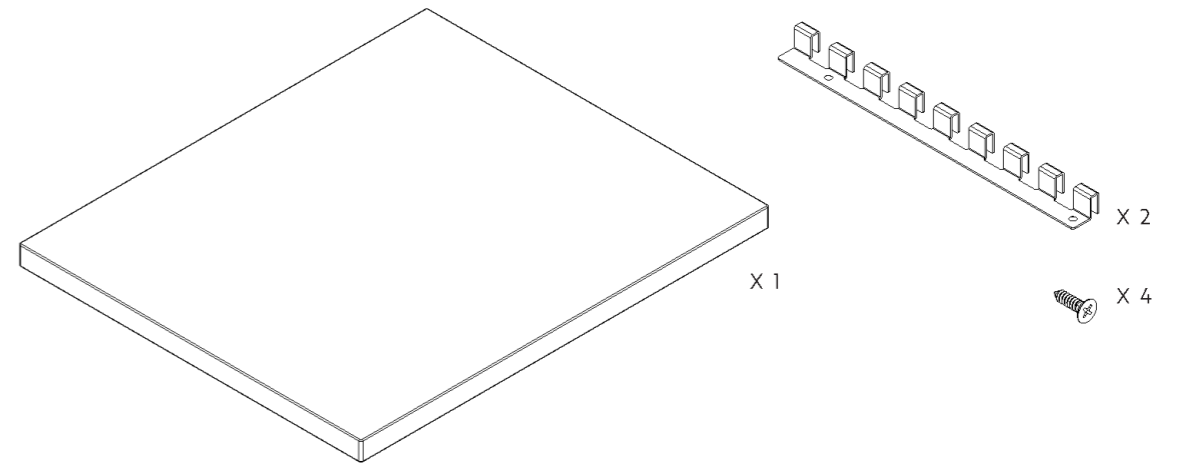
PANELS ARE MADE OF POWDER COATED METAL. ADJUSTABLE FEET ARE INCLUDED. PANELS ARE MOUNTED TO THE WALL. MAKE SURE TO USE CORRECT SCREWS AND PLUGS DEPENDING ON WALL MATERIAL.

SHELF SIZES

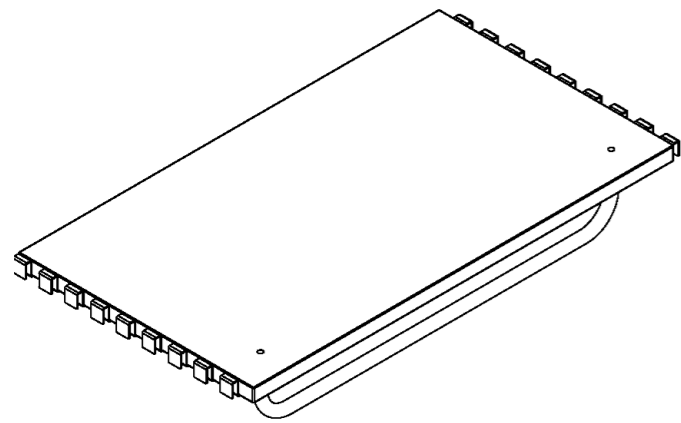
ATTENTION!
MAXIMUM 25 KG EVENLY DISTRIBUTED ON SHELF 400 & 600 MM TO AVOID FLEX AND MAXIMUM 15 KG EVENLY DISTRIBUTED ON SHELF 800MM TO AVOID FLEX.



SHELF PARTS & ASSEMBLY STEP 1

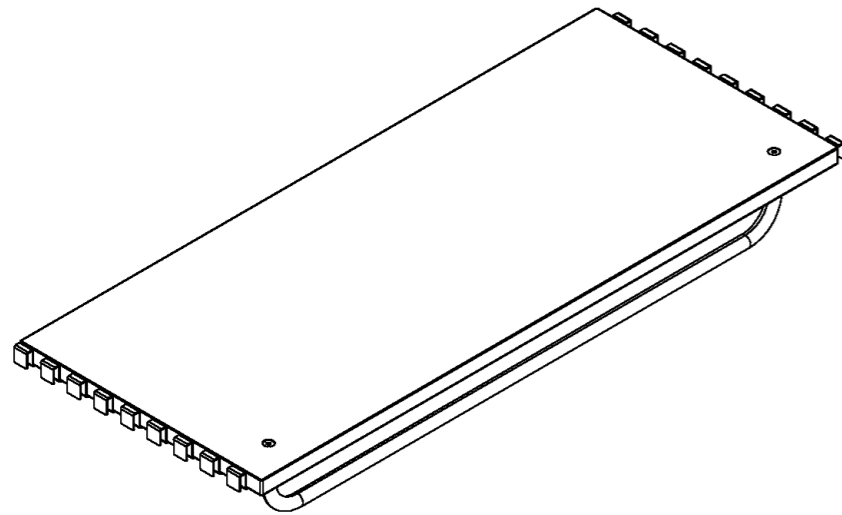


COAT RACK SIZES



SHELF
L: 600 MM
H: 19 MM
D: 336 MM

PREPARED FOR 3 HOOKS

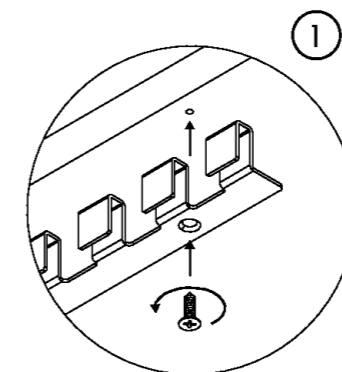
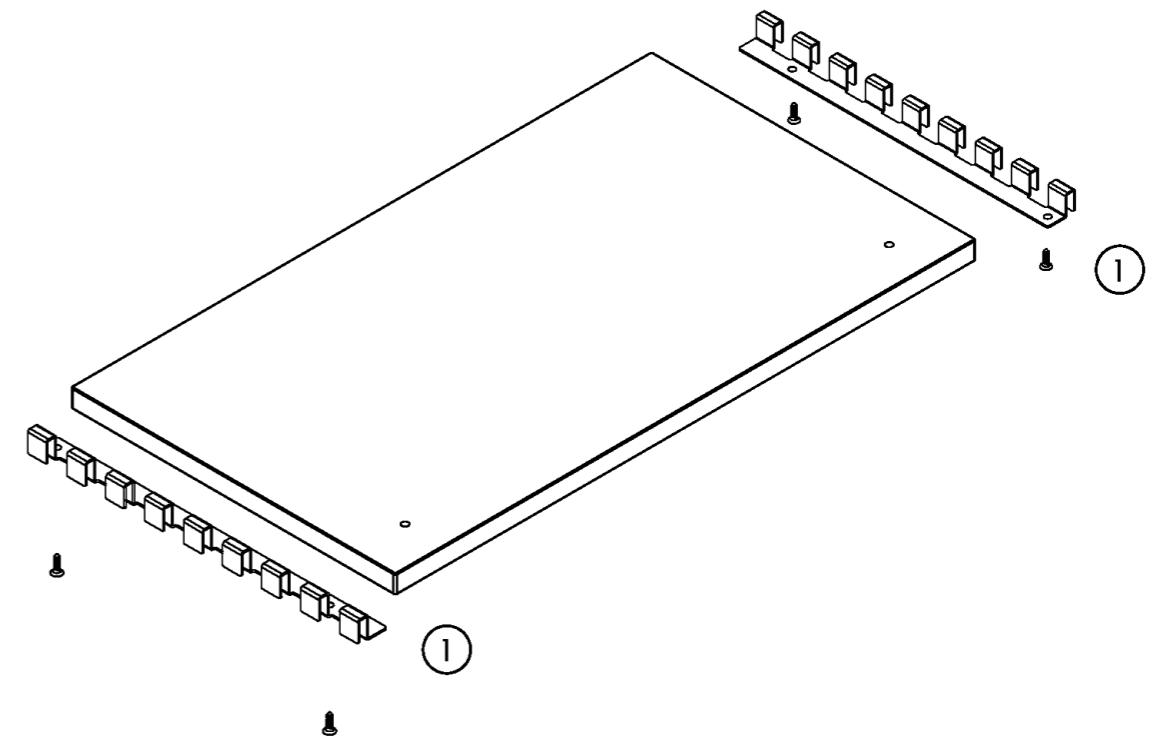
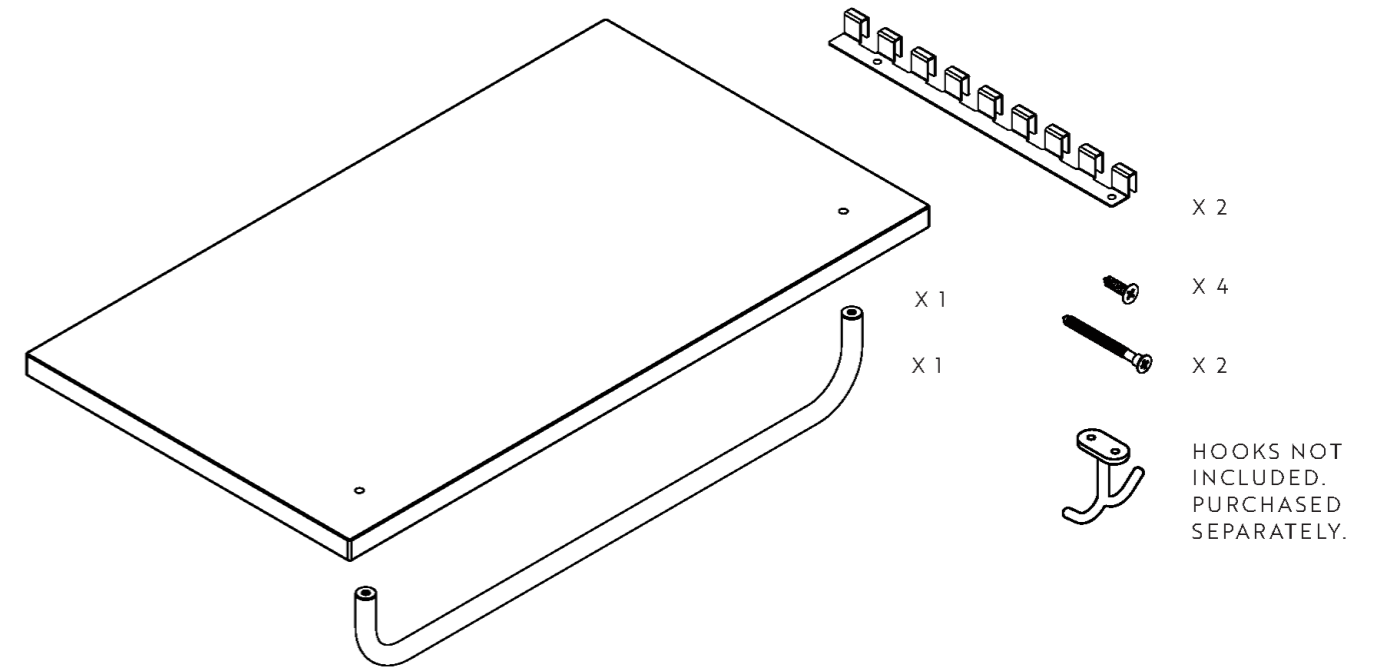


SHELF
L: 800 MM
H: 19 MM
D: 336 MM

PREPARED FOR 4 HOOKS

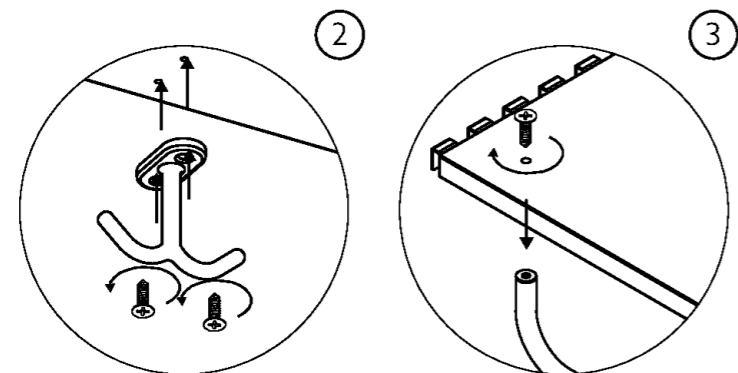
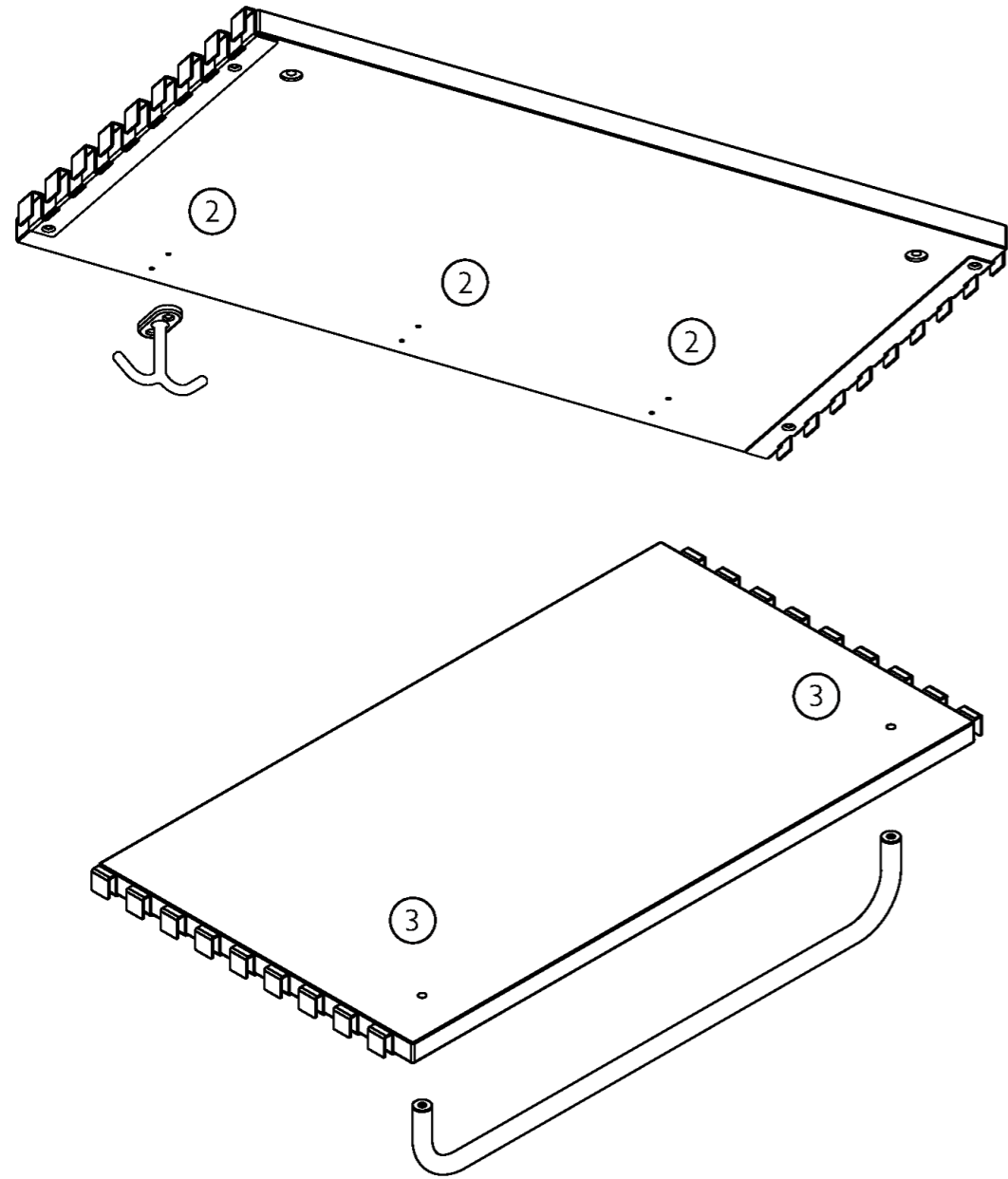
COAT RACK PARTS & ASSEMBLY

STEP 1

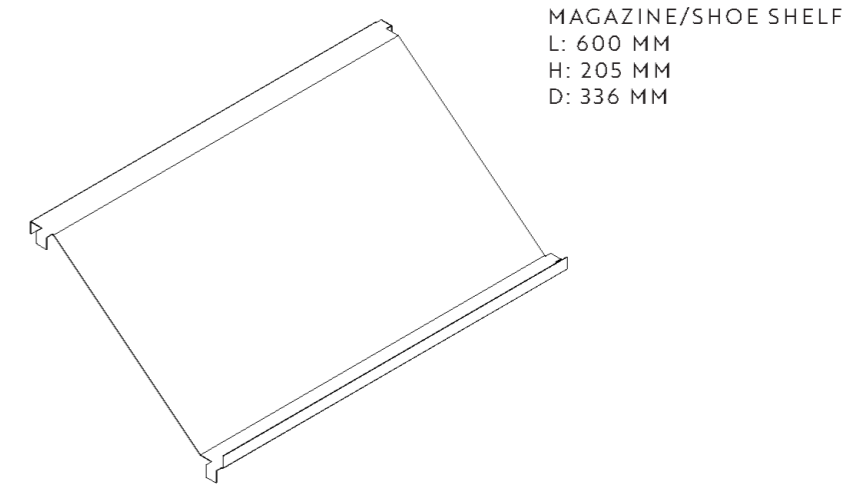


CLOTHES RACK ASSEMBLY

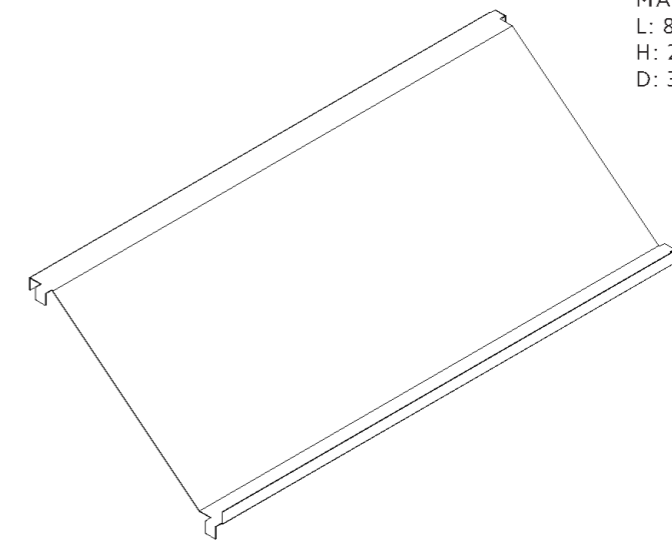
STEP 2



MAGAZINE / SHOE SHELF SIZES

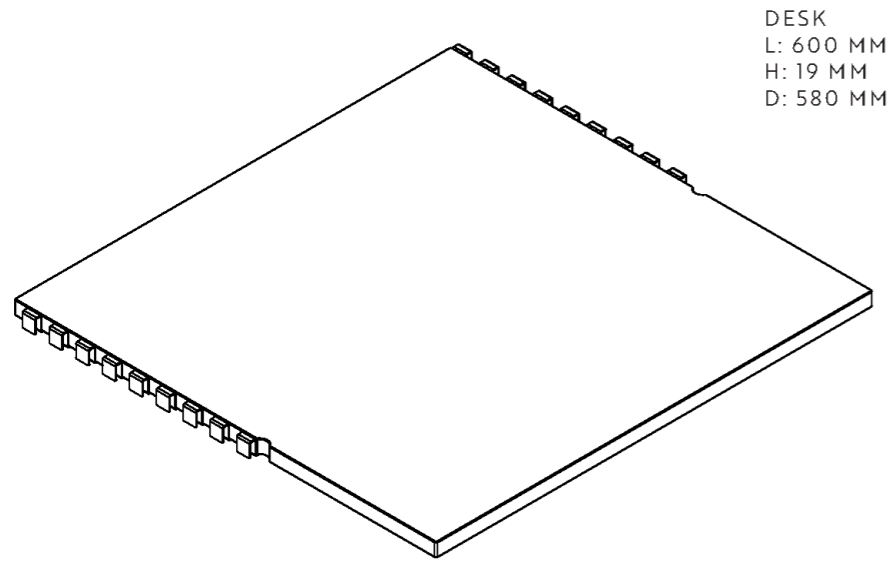


MAGAZINE/SHOE SHELF
L: 600 MM
H: 205 MM
D: 336 MM

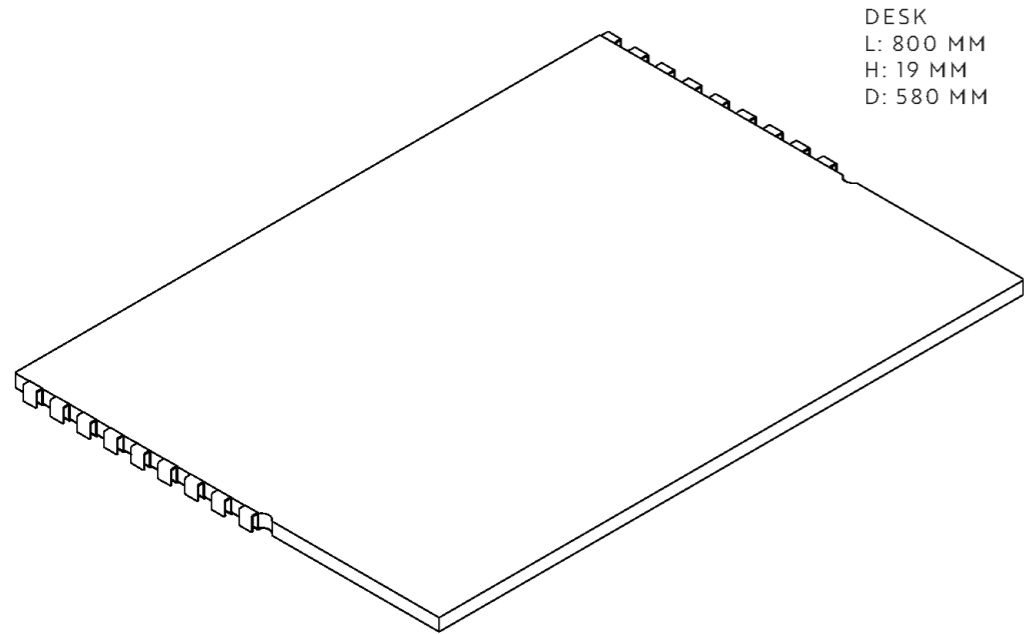


MAGAZINE/SHOE SHELF
L: 800 MM
H: 205 MM
D: 336 MM

DESK SIZES

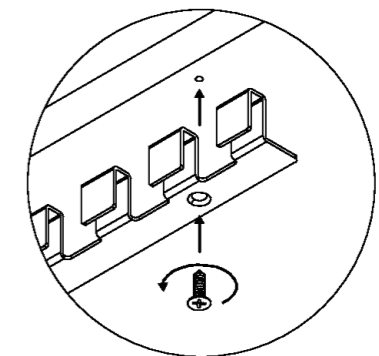
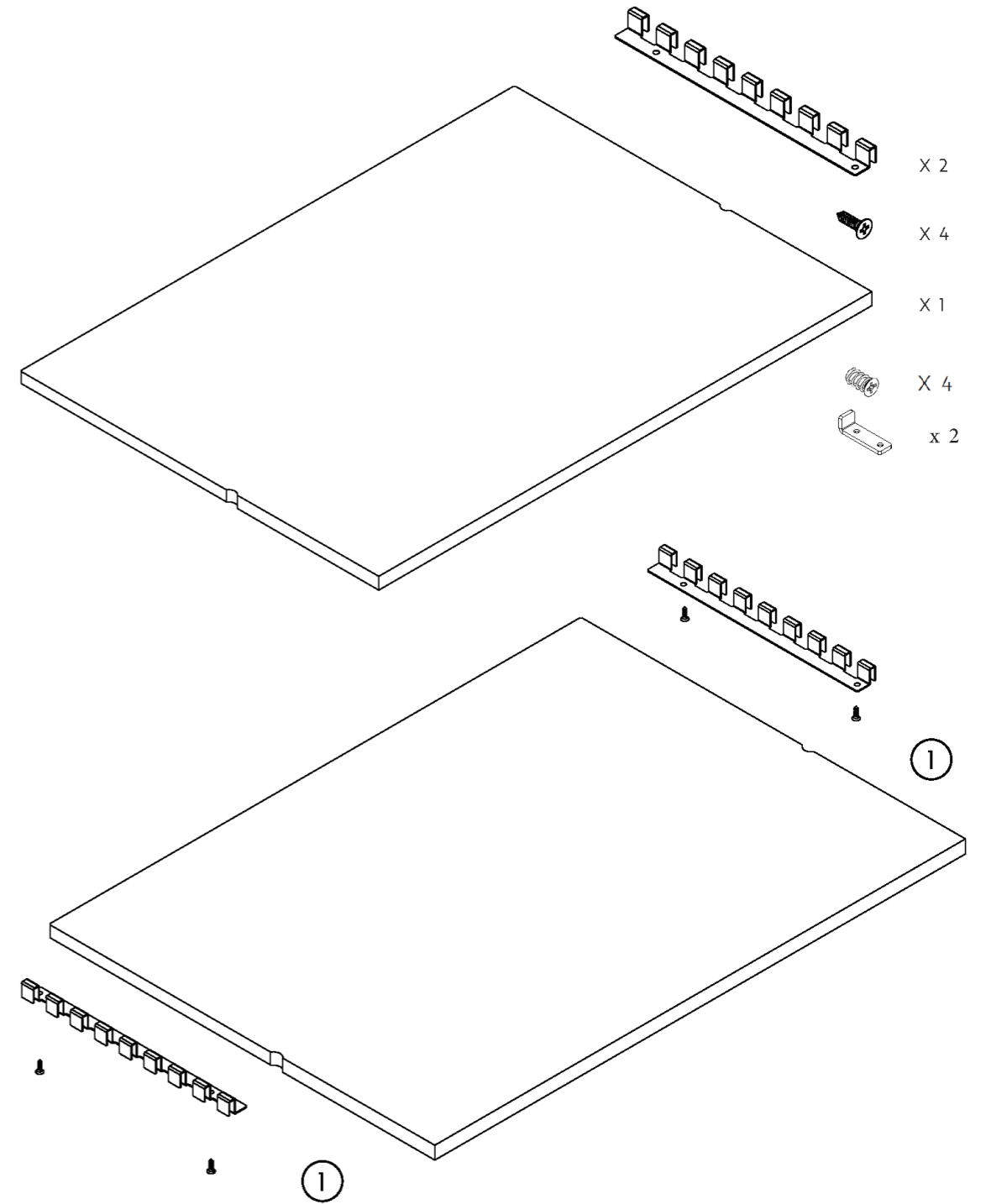


DESK
L: 600 MM
H: 19 MM
D: 580 MM

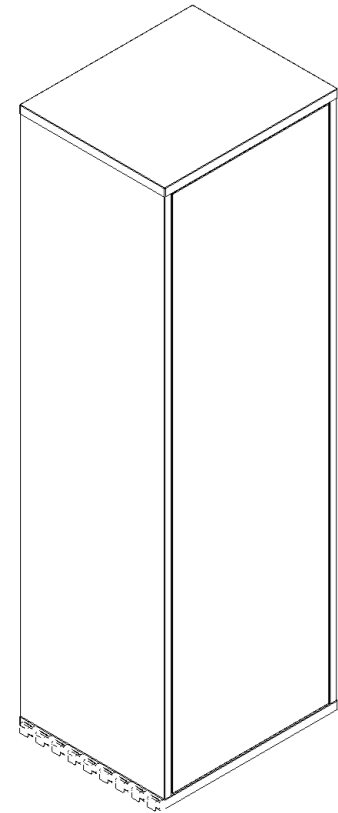


DESK
L: 800 MM
H: 19 MM
D: 580 MM

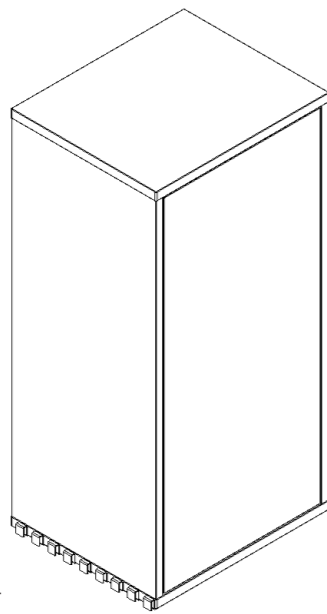
DESK PARTS & ASSEMBLY STEP 1



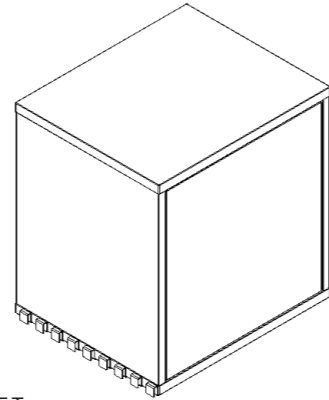
CABINET SIZES



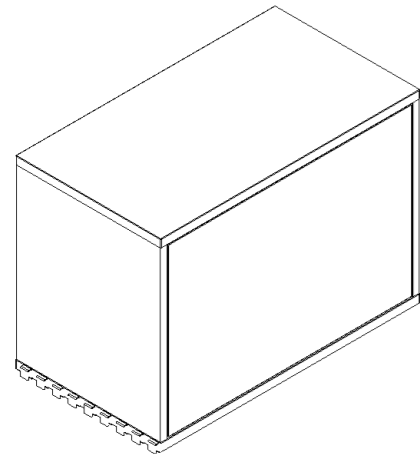
CABINET
L: 400 MM
H 1243MM
D: 336 MM
3 ADJUSTABLE
SHELVES



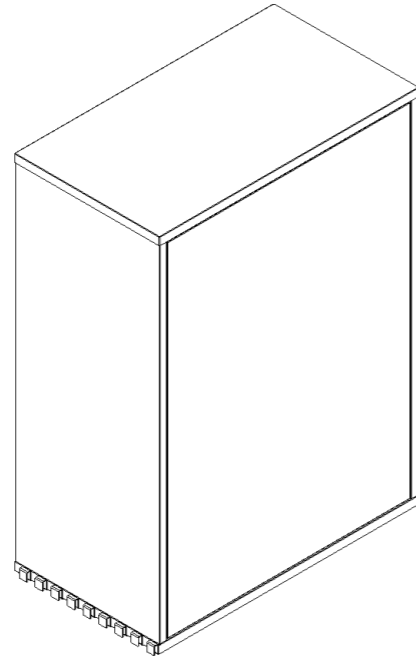
CABINET
L: 400 MM
H 835MM
D: 336 MM
2 ADJUSTABLE
SHELVES



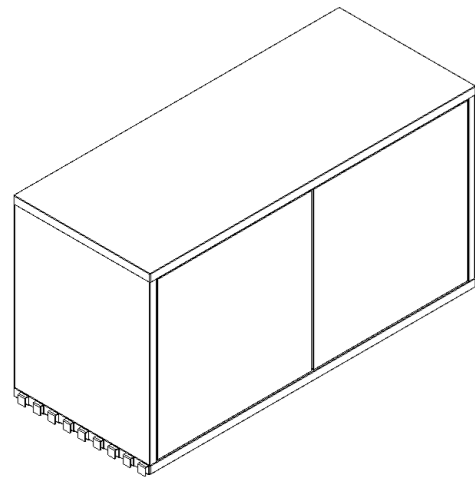
CABINET
L: 400 MM
H 427 MM
D: 336 MM
1 ADJUSTABLE
SHELF



CABINET
L: 600 MM
H 427MM
D: 336 MM
1 ADJUSTABLE
SHELF

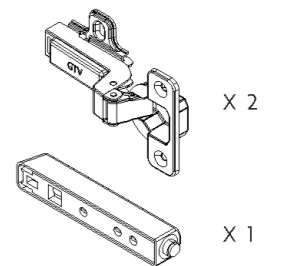
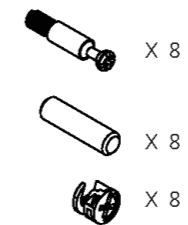
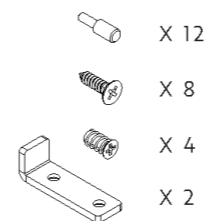
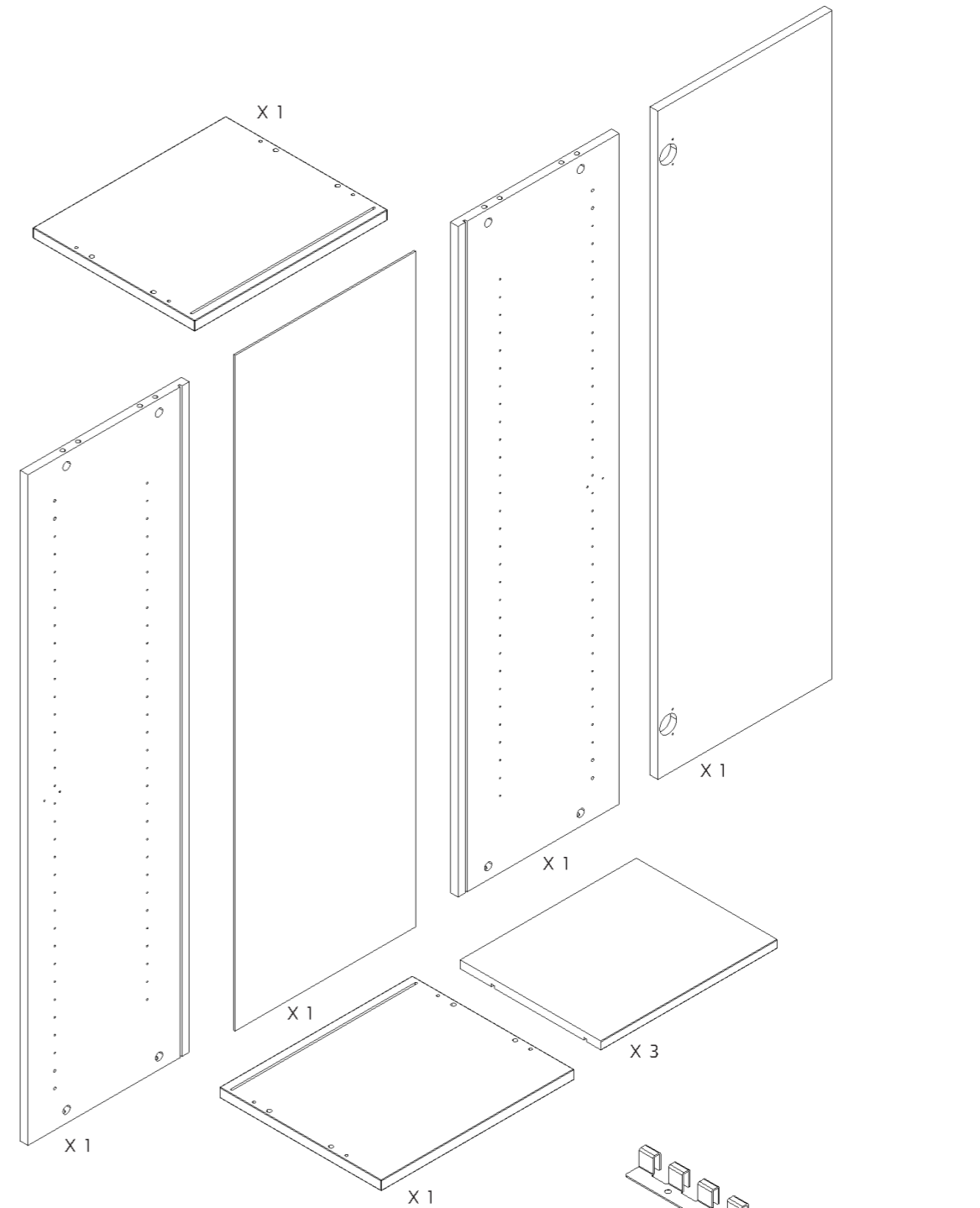


CABINET
L: 600 MM
H: 835MM
D: 336 MM
2 ADJUSTABLE
SHELVES



CABINET
L: 800 MM
H 427MM
D: 336 MM
1 ADJUSTABLE
SHELF

CABINET PARTS

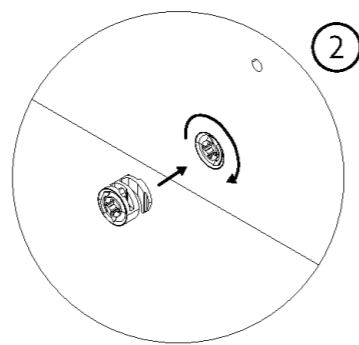
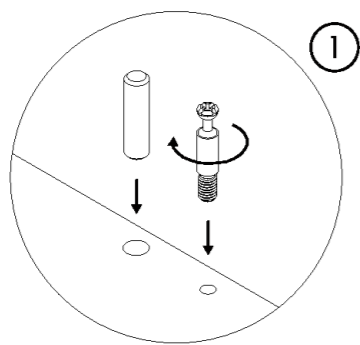
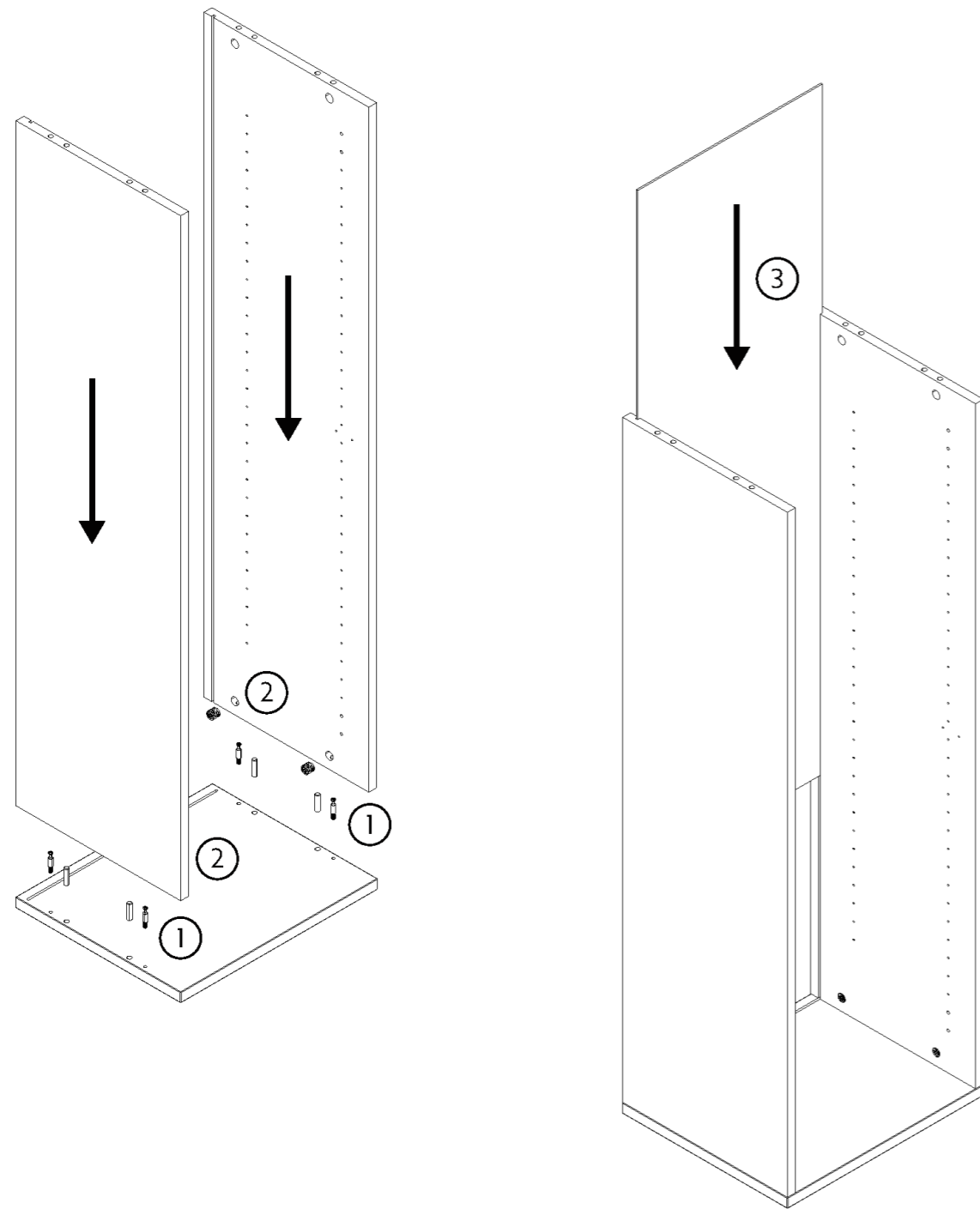


X 2 SAFETY BRACKETS TO AVOID TIPPING FOR CABINET HEIGHT 1243 AND 835

CABINET FRAME AND REMOVABLE SHELVES ARE MADE OF FSC-CERTIFIED MDF WITH WATERBASED VARNISH TREATMENT. CABINET IS DELIVERED UNASSEMBLED.
DOORS WITH EITHER WATER-BASED VARNISH TREATMENT OR VENEER.
SOFT-CLOSING DOORS BY PUSH FUNCTION.

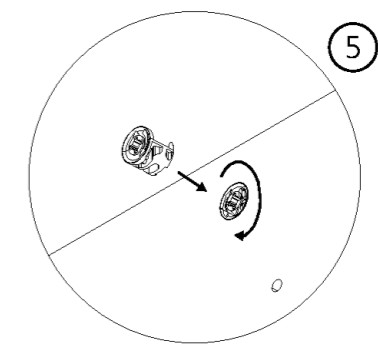
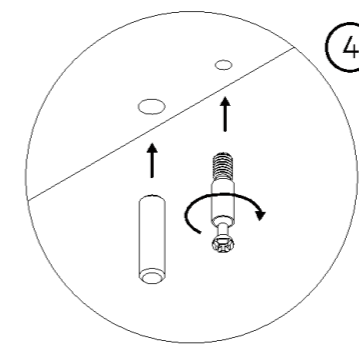
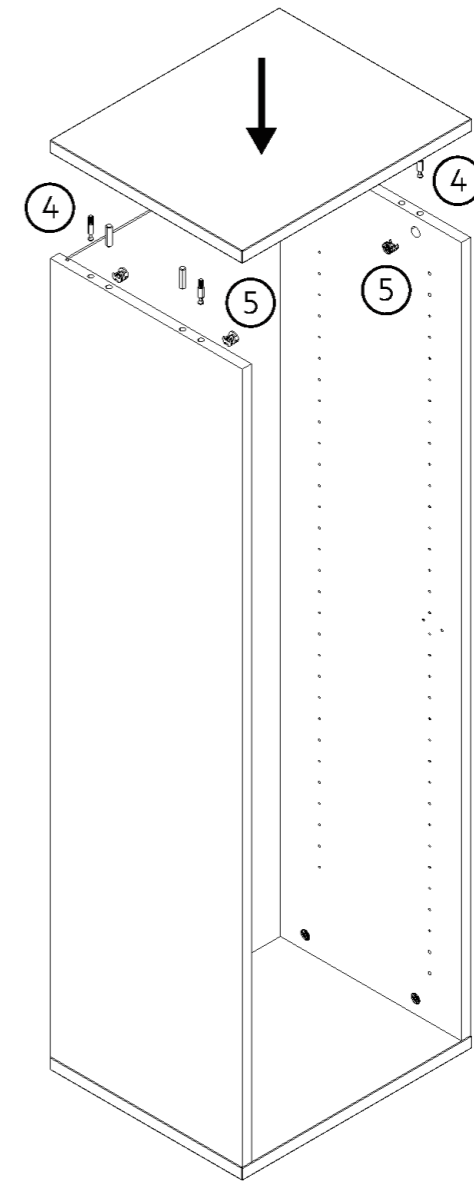
CABINET ASSEMBLY

STEP 1



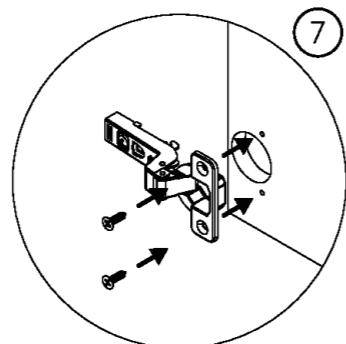
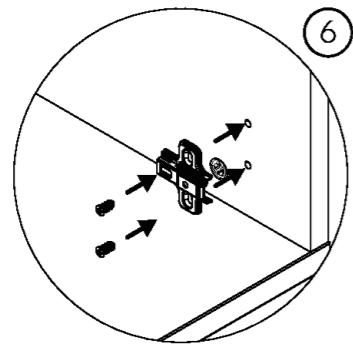
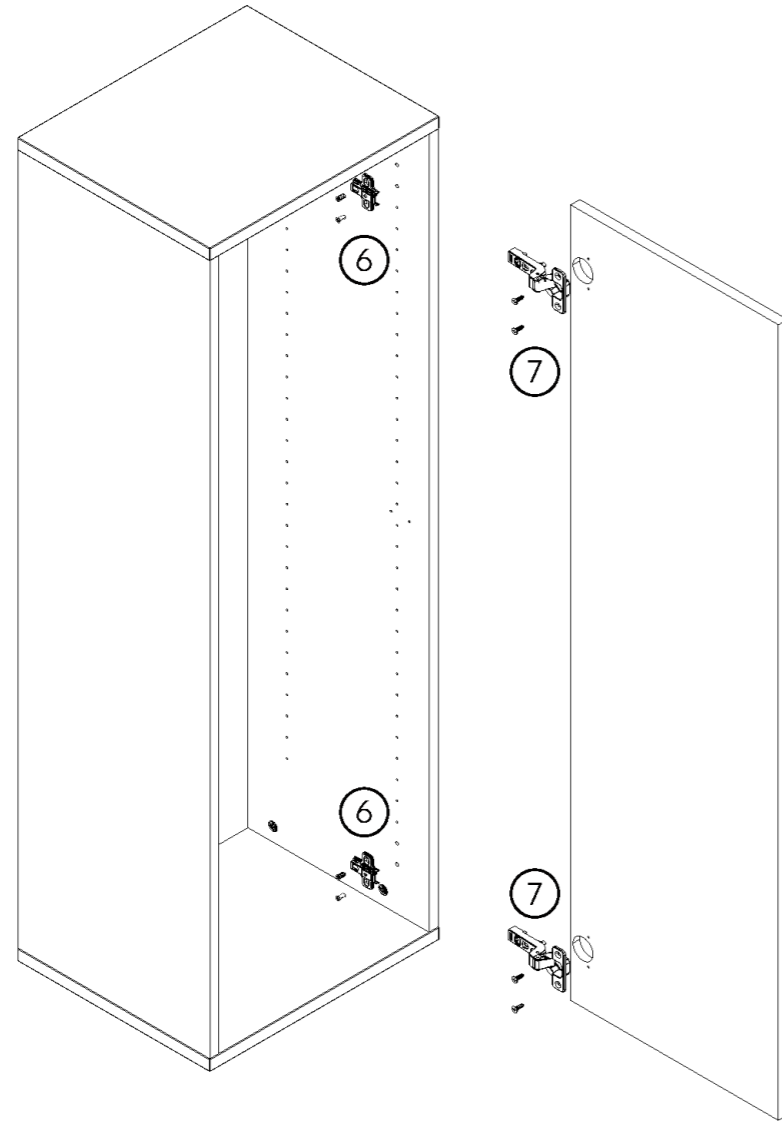
CABINET ASSEMBLY

STEP 2



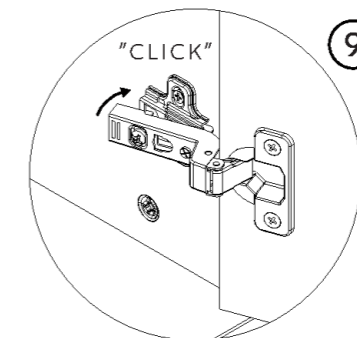
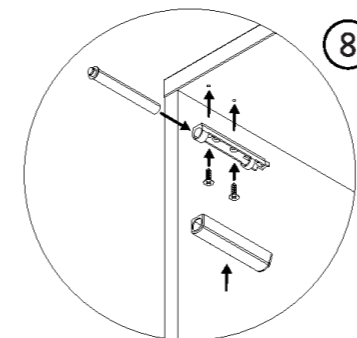
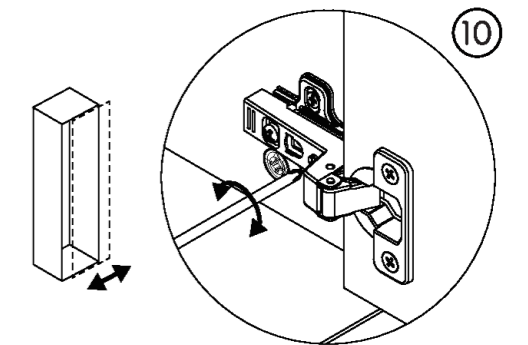
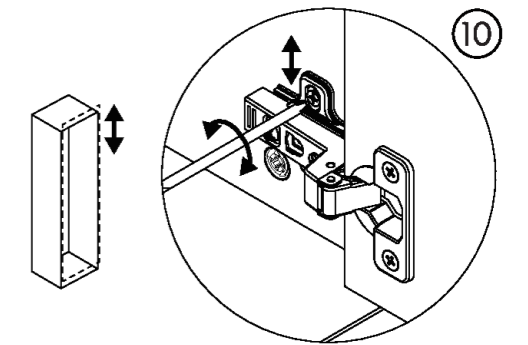
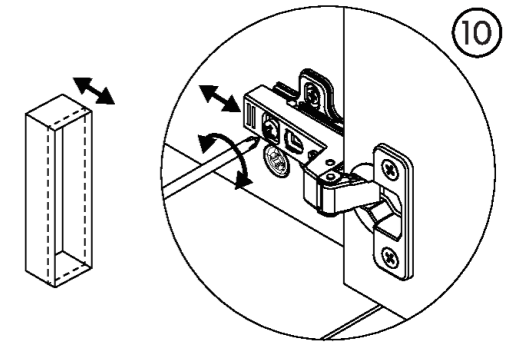
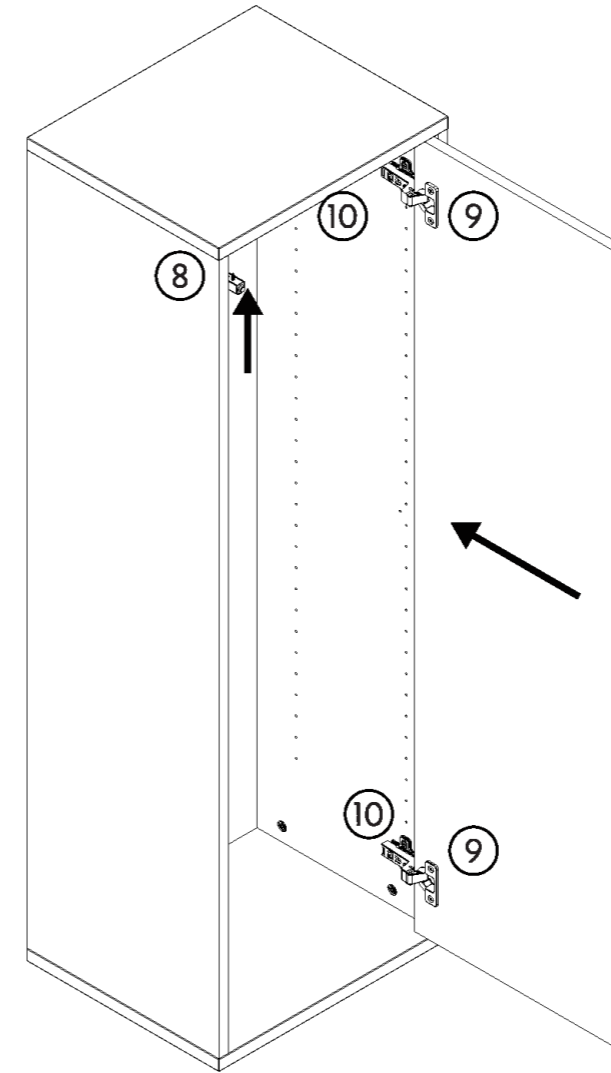
CABINET ASSEMBLY

STEP 3



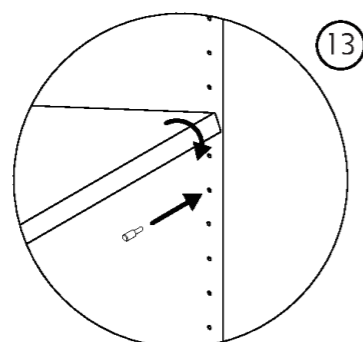
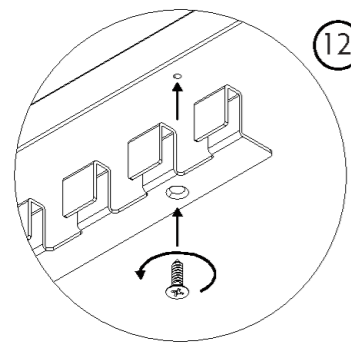
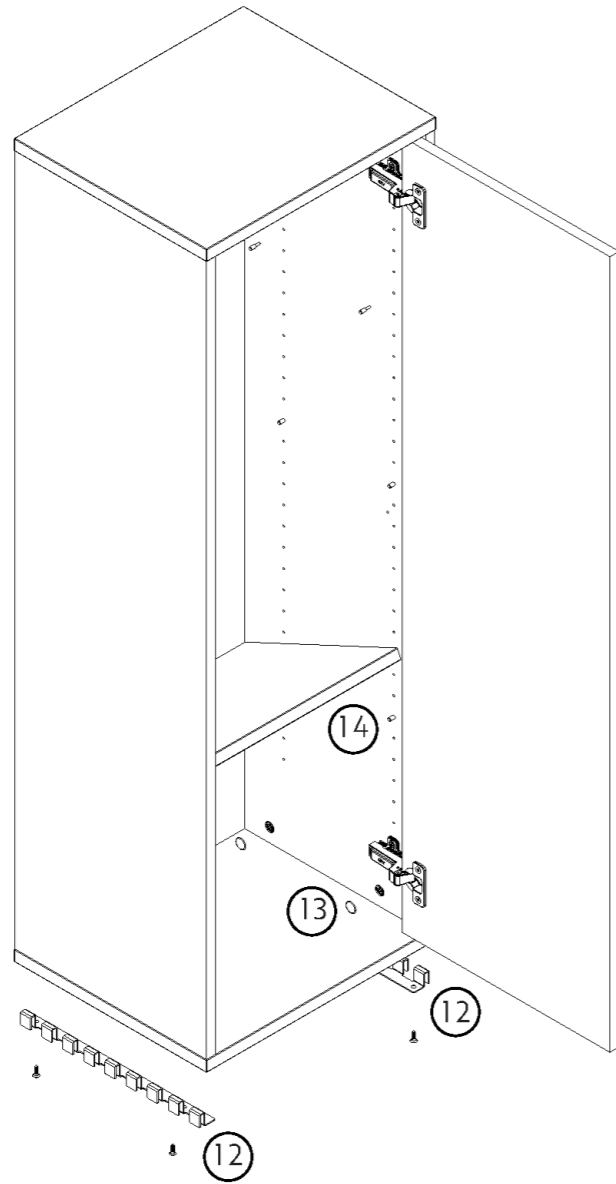
CABINET ASSEMBLY

STEP 4



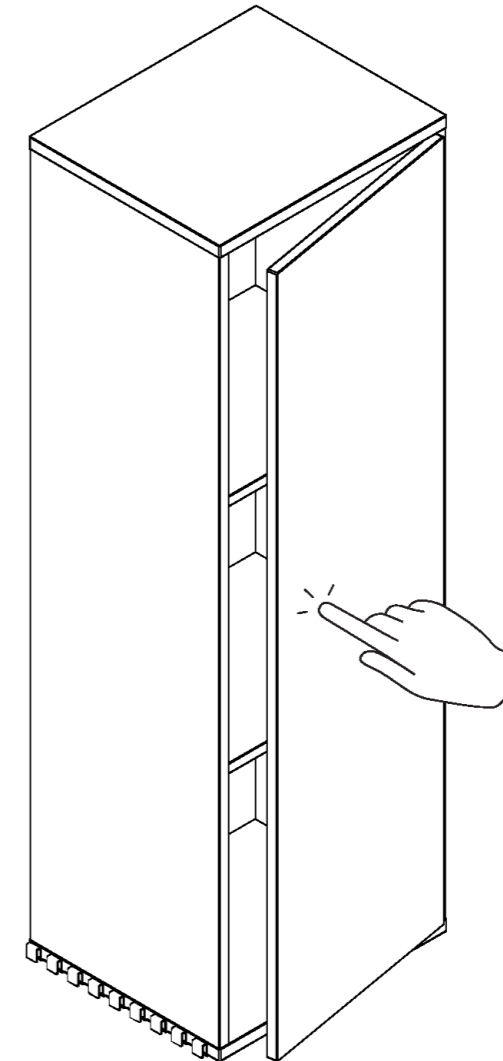
CABINET ASSEMBLY

STEP 5



CABINET ASSEMBLY

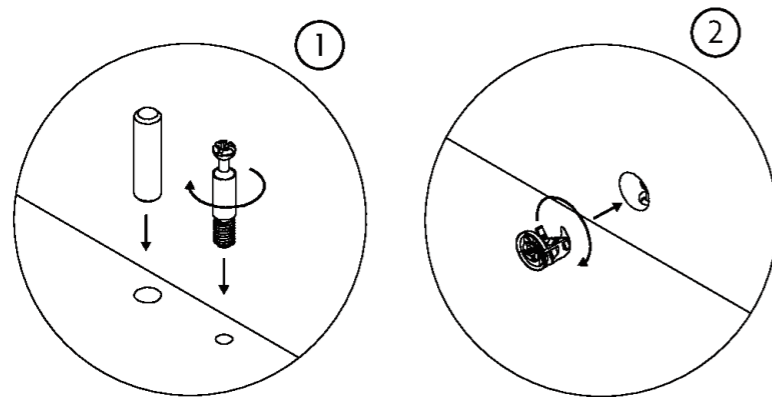
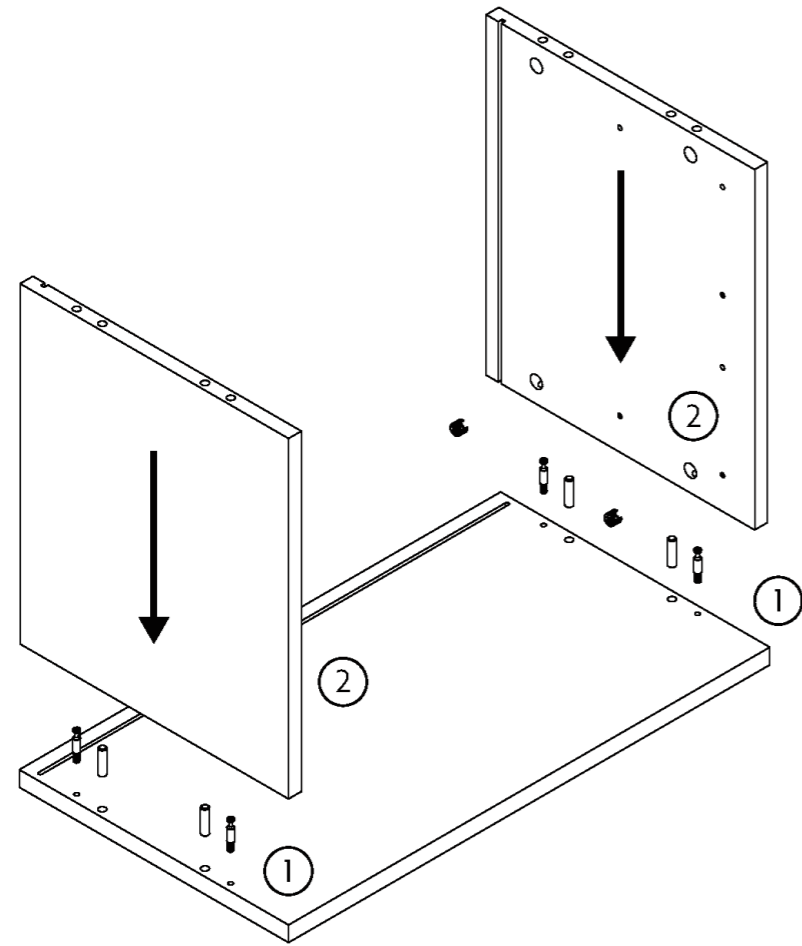
STEP 6



ALWAYS PRESS THE CENTER OF THE CABINET TO OPEN/CLOSE

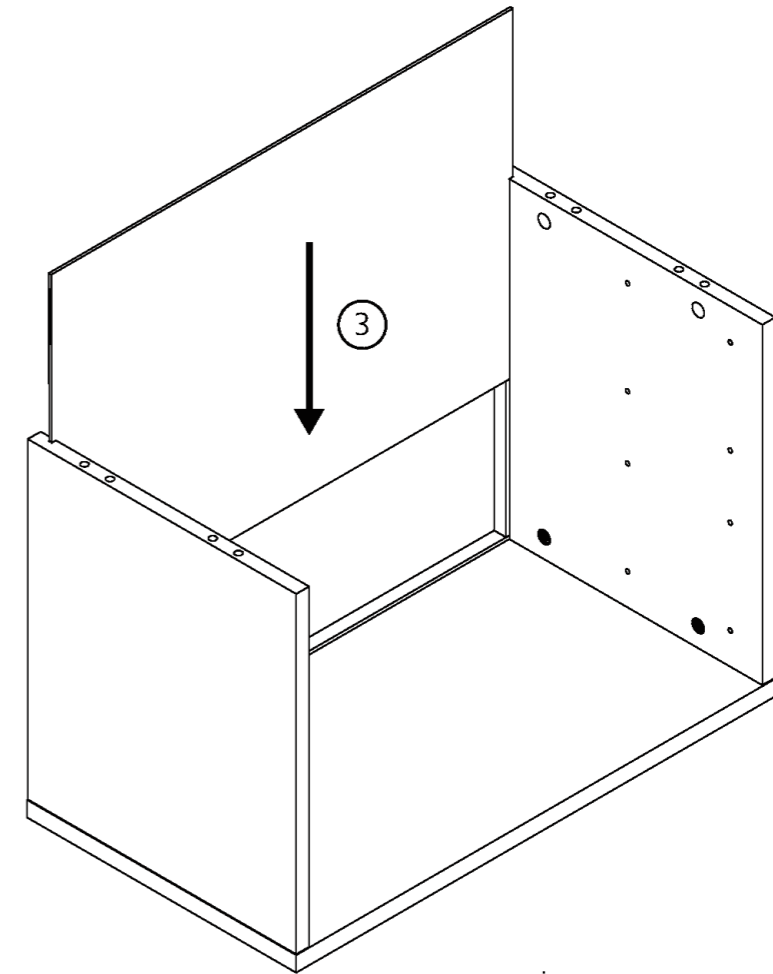
DRAWER CABINET ASSEMBLY

STEP 1



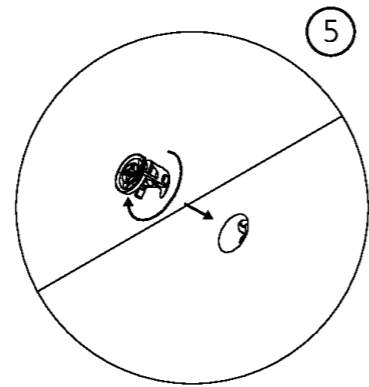
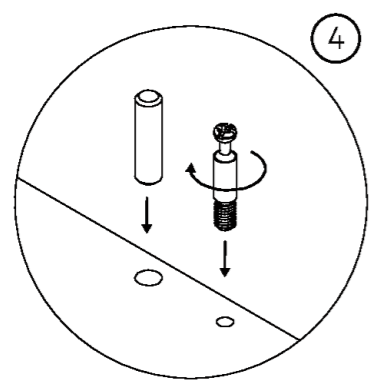
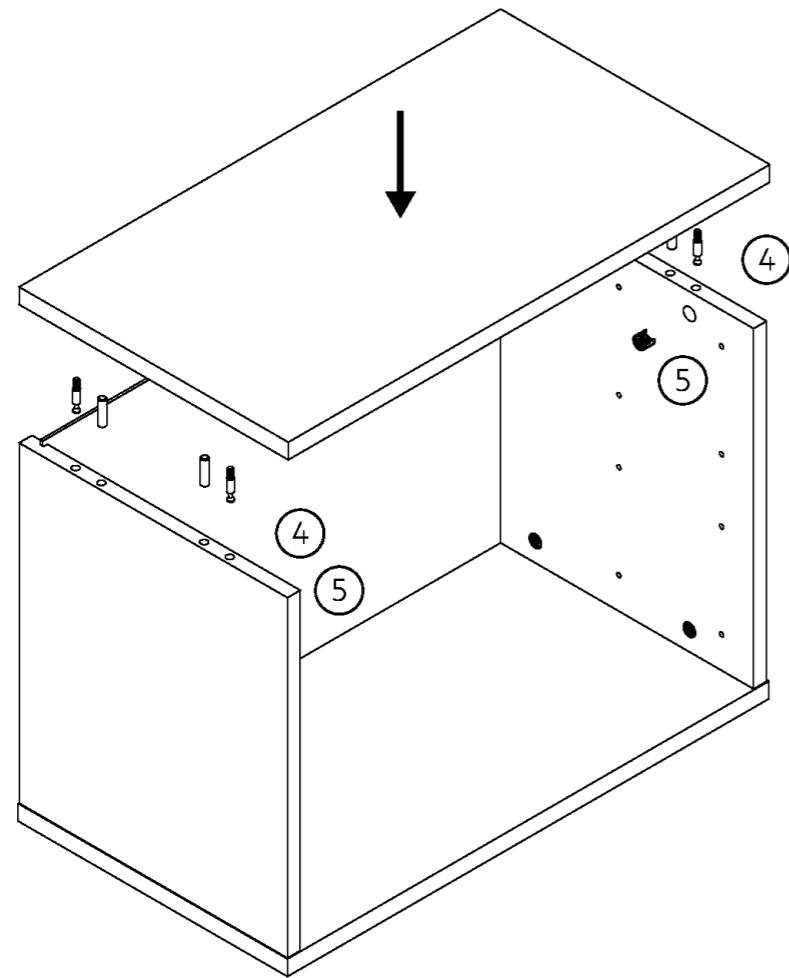
DRAWER CABINET ASSEMBLY

STEP 2



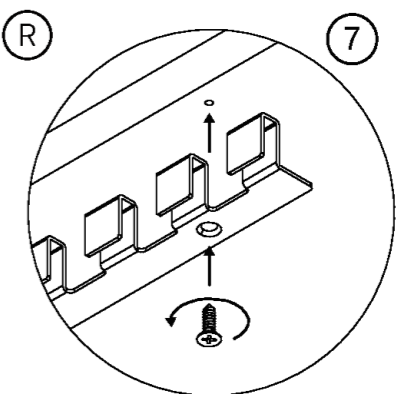
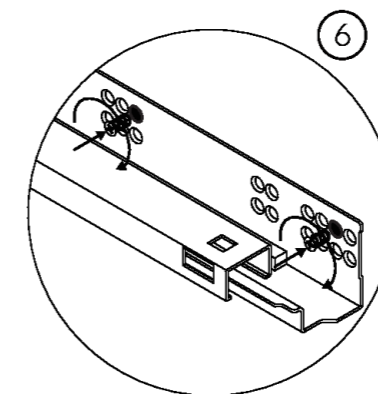
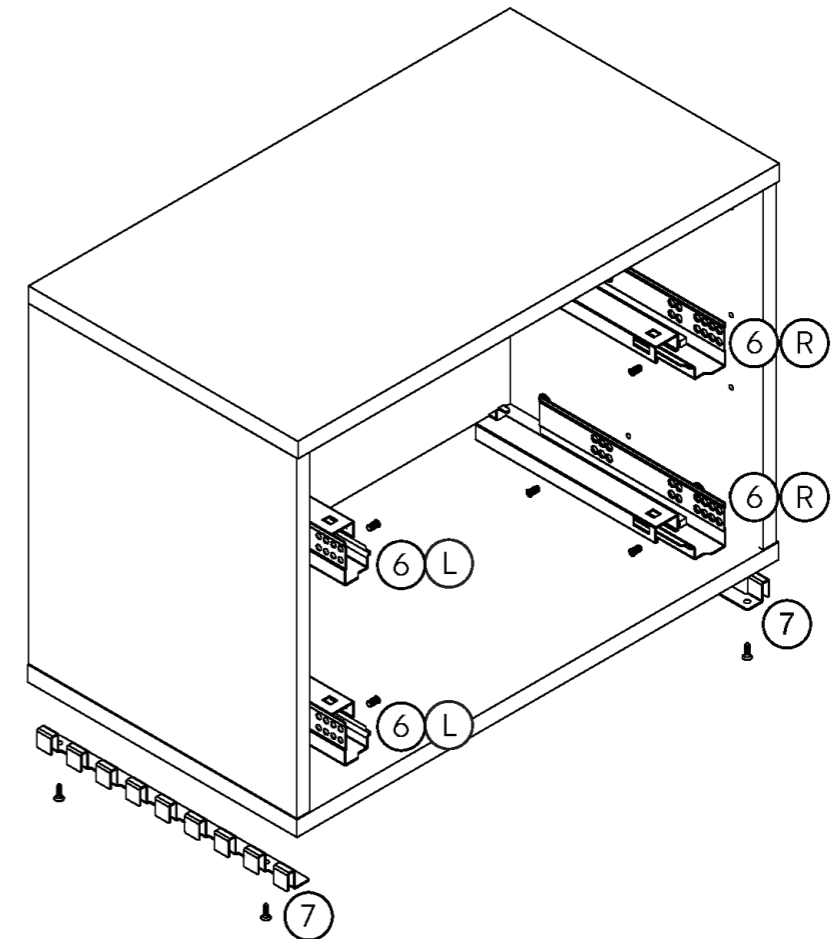
DRAWER CABINET ASSEMBLY

STEP 3



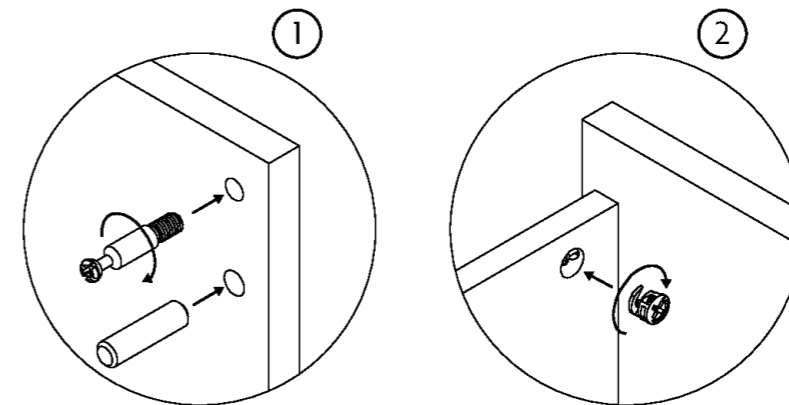
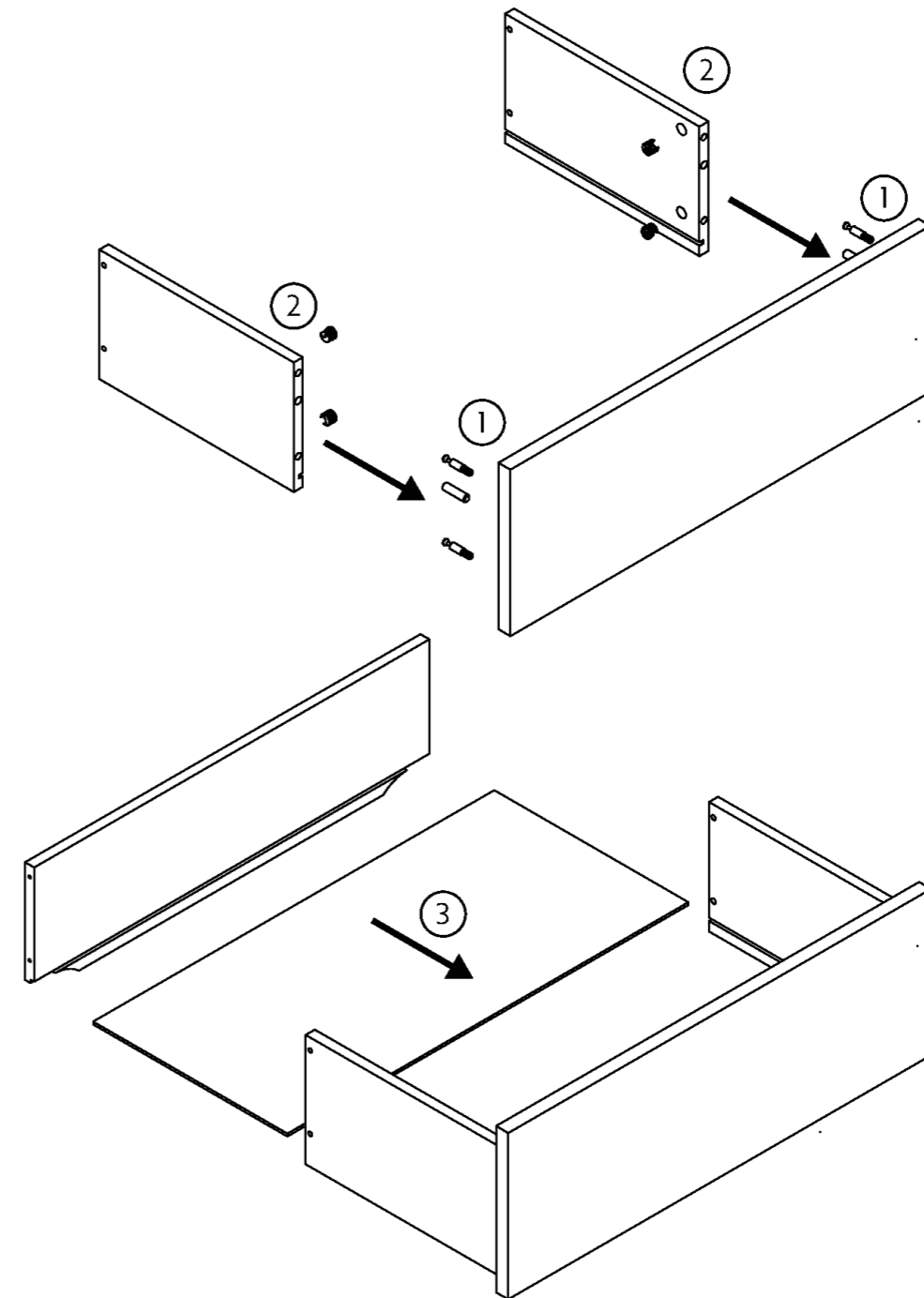
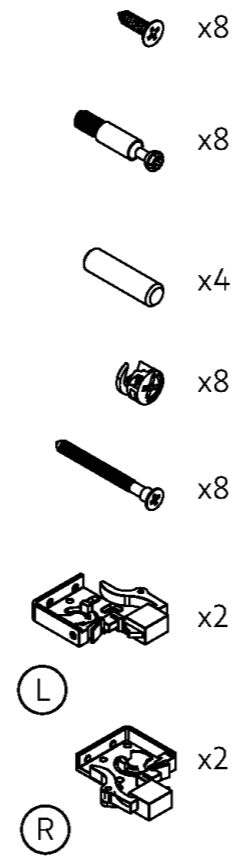
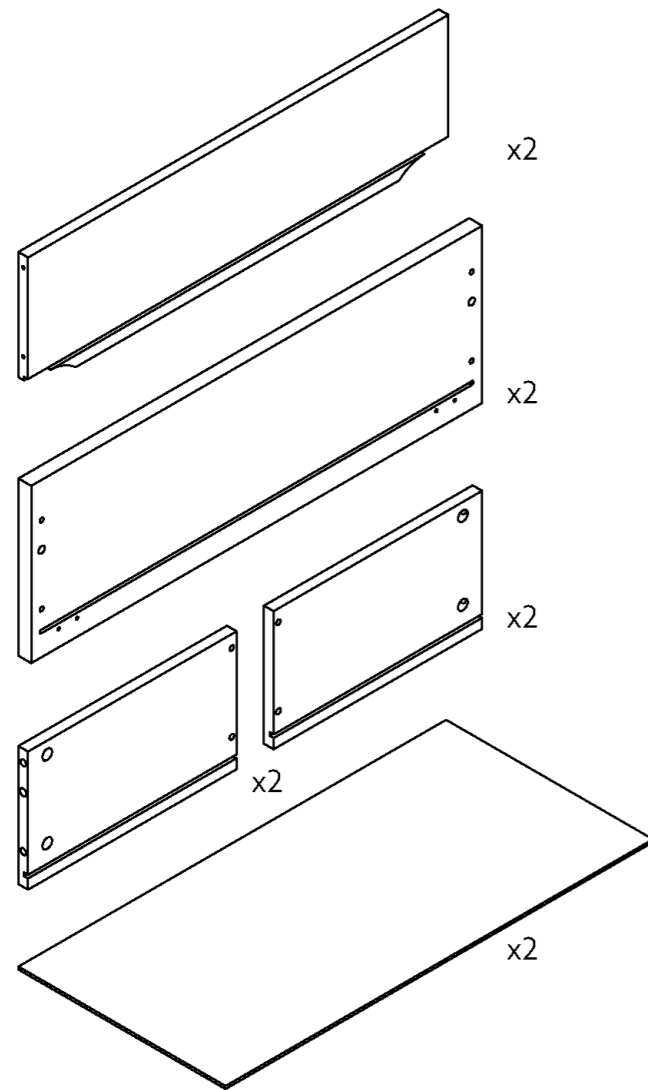
DRAWER CABINET ASSEMBLY

STEP 4



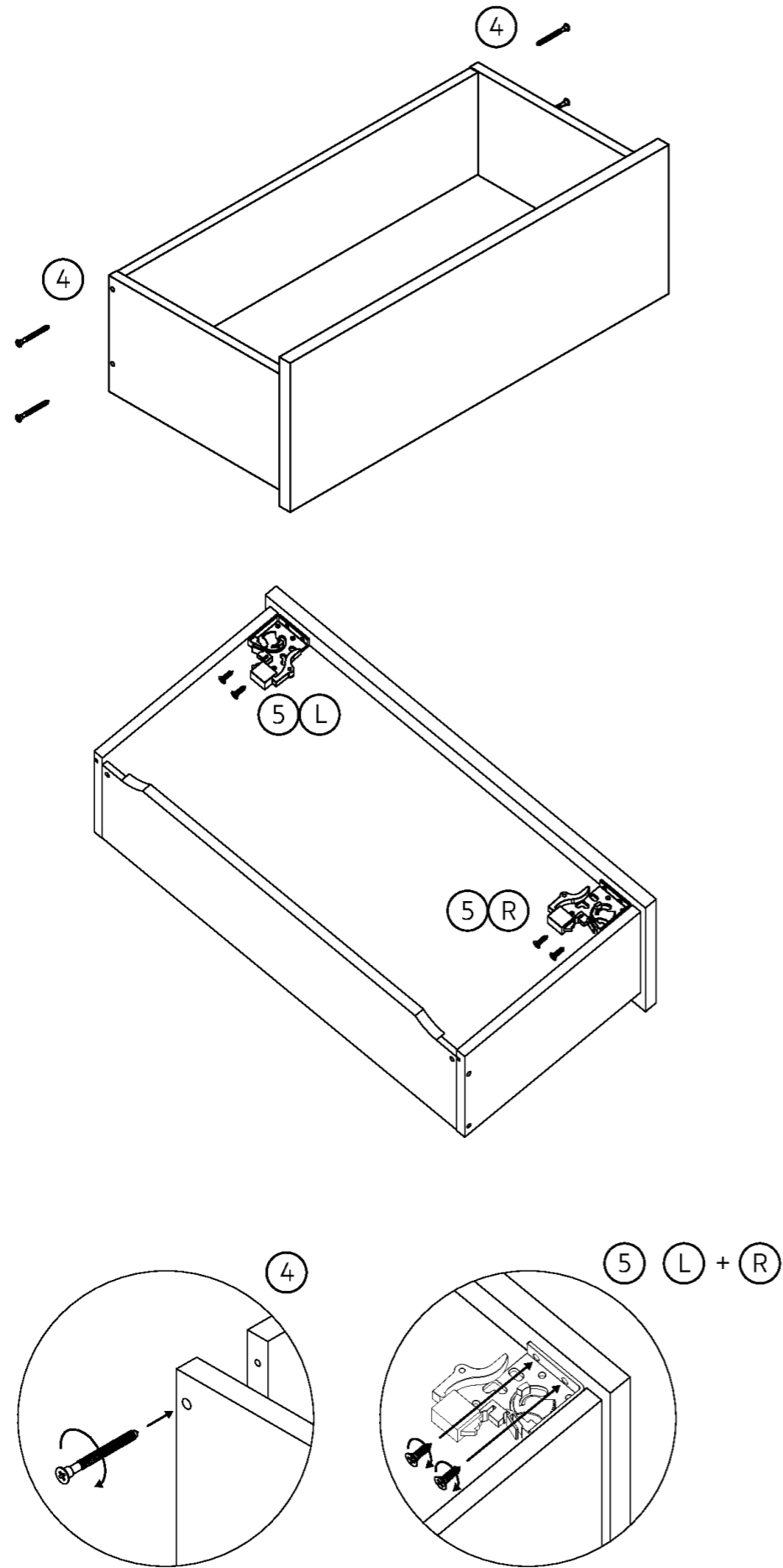
DRAWER PARTS

DRAWERS ASSEMBLY STEP 1



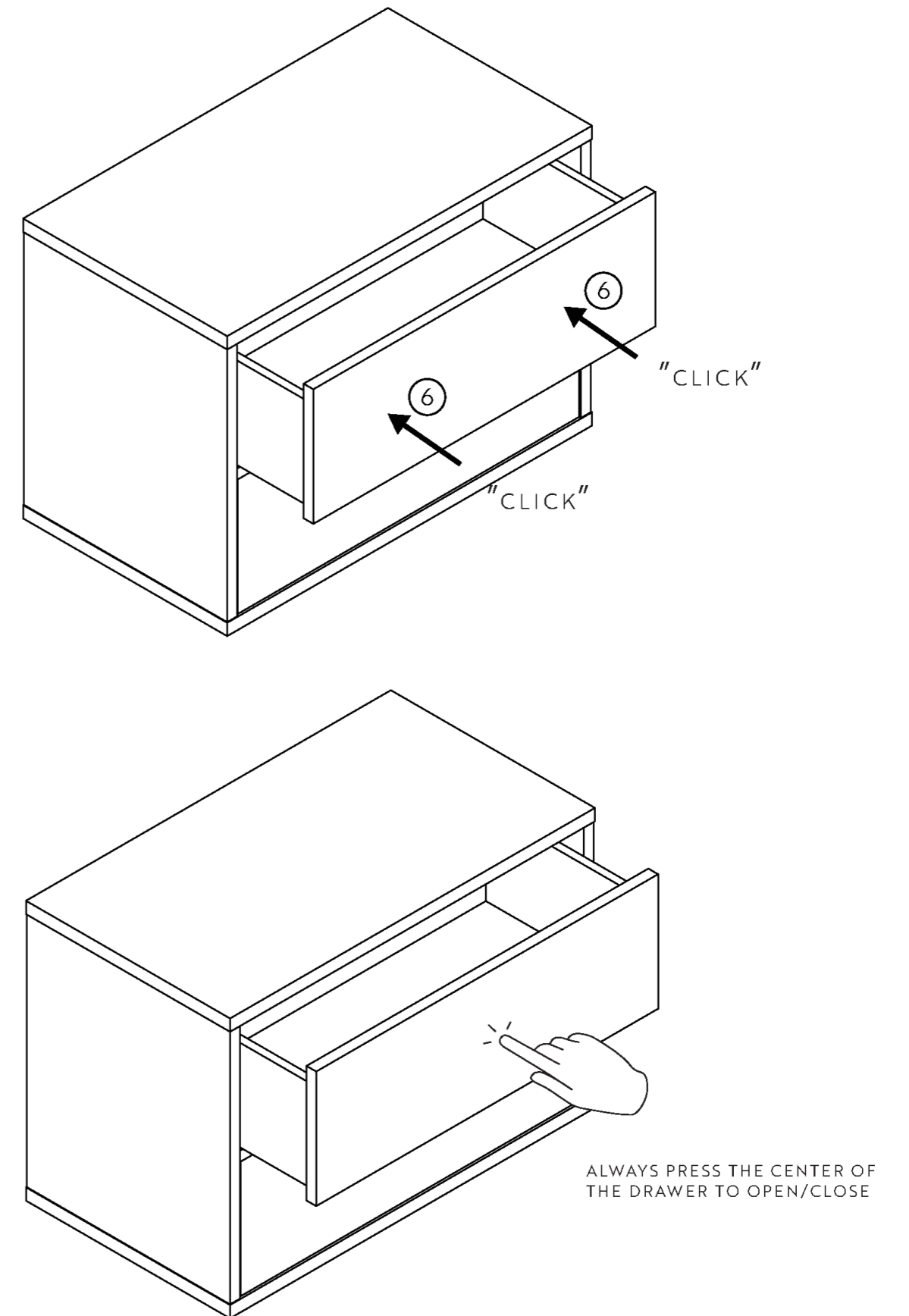
DRAWERS ASSEMBLY

STEP 3



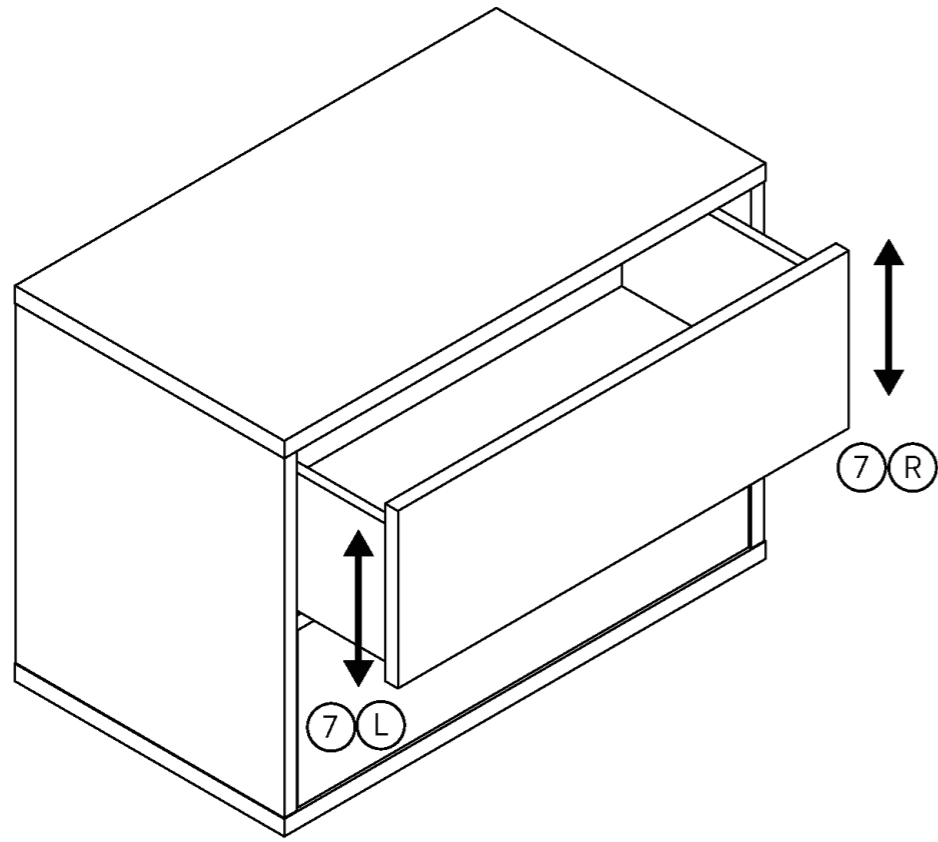
DRAWERS ASSEMBLY

STEP 4



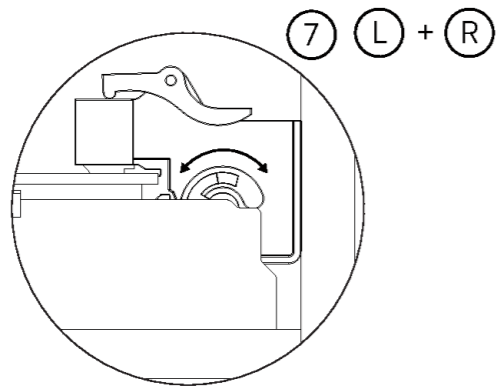
DRAWERS ASSEMBLY

STEP 5



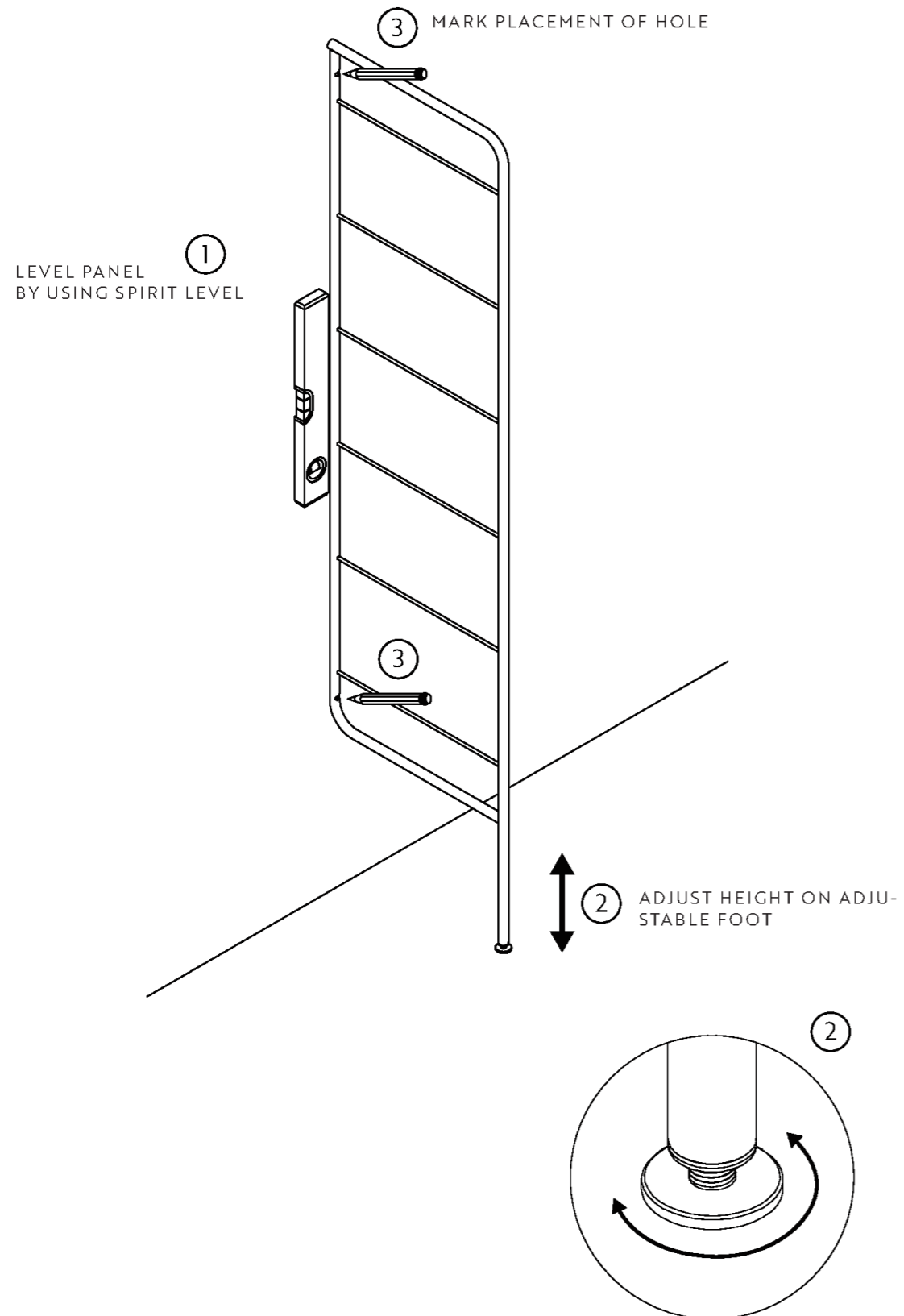
MOUNTING INSTRUCTIONS

FOR HEIGHT ADJUSTMENT OF DRAWER
FINE-TUNE WITH WHEEL UNDER DRAWER
IN BOTH SIDES



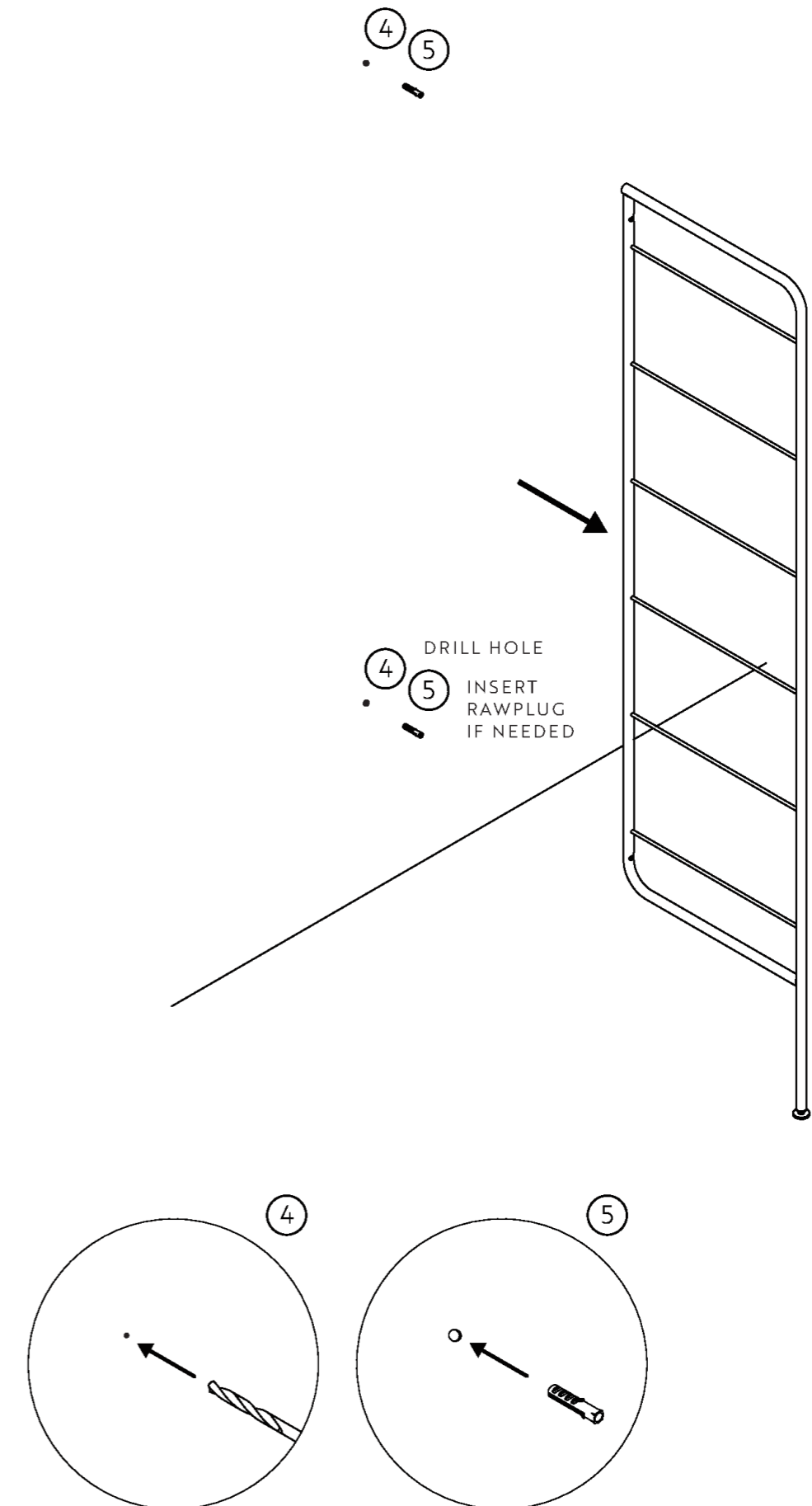
SHELF MOUNTING

STEP 1



SHELF MOUNTING

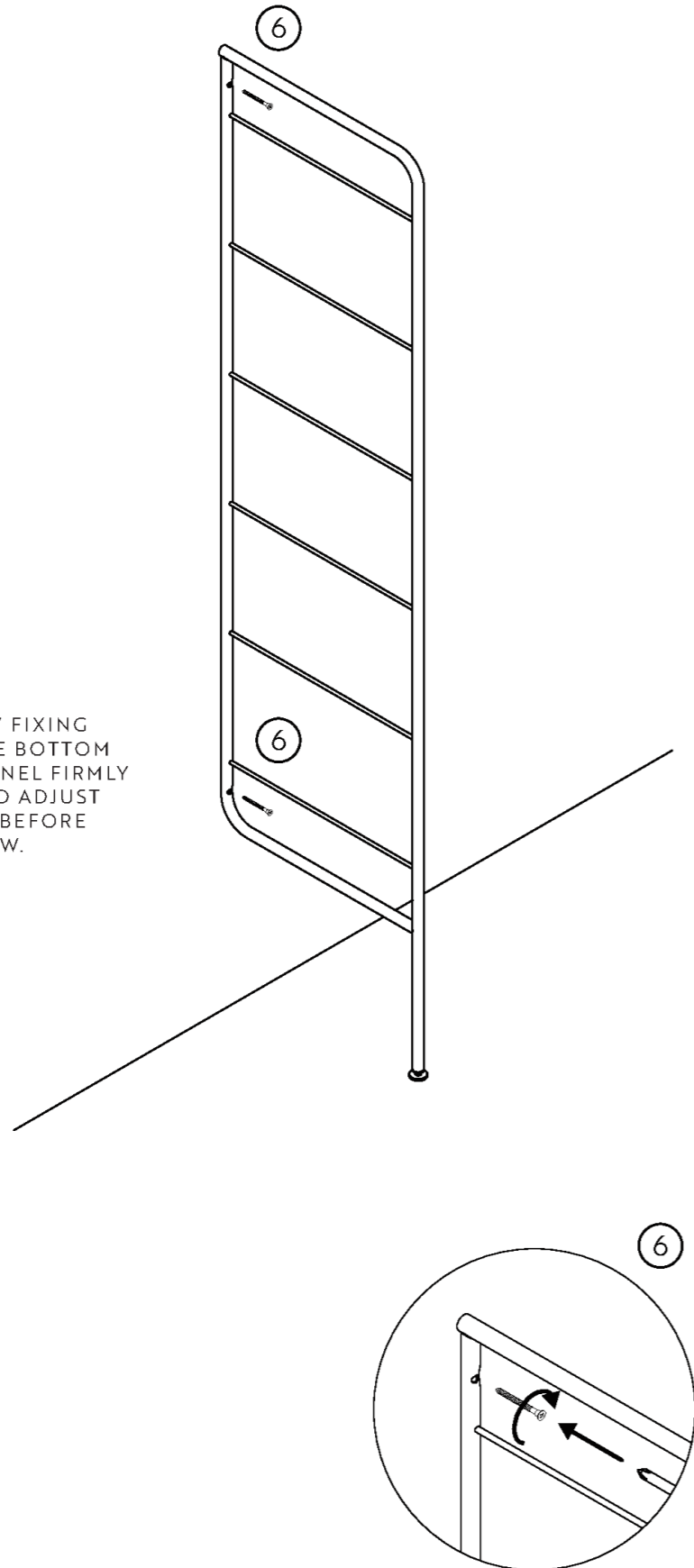
STEP 2



SHELF MOUNTING

STEP 3

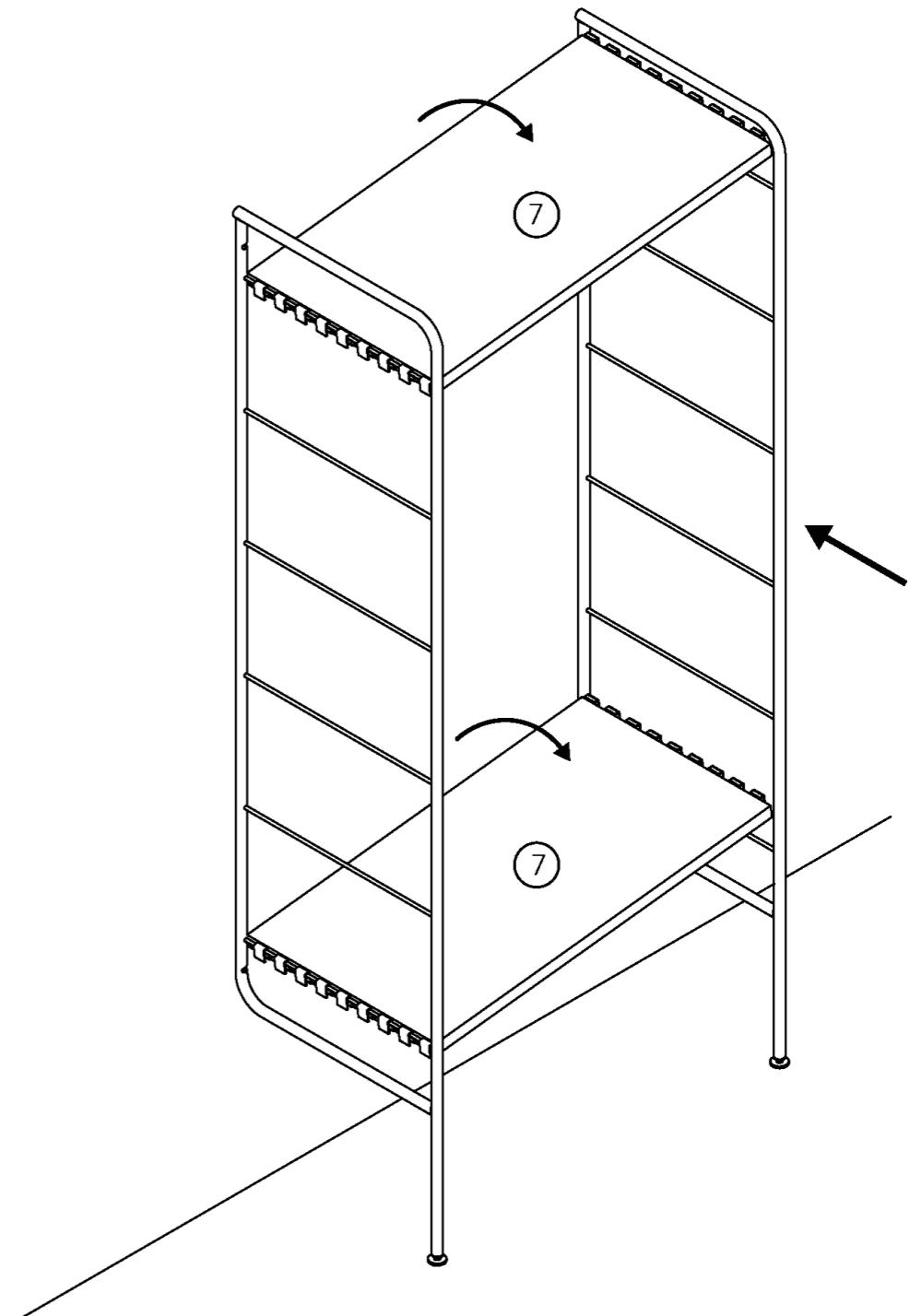
ALWAYS START BY FIXING PANELS WITH THE BOTTOM SCREW. PRESS PANEL FIRMLY TO THE WALL AND ADJUST FOOT TO FLOOR BEFORE FIXING THE SCREW.



SHELF MOUNTING

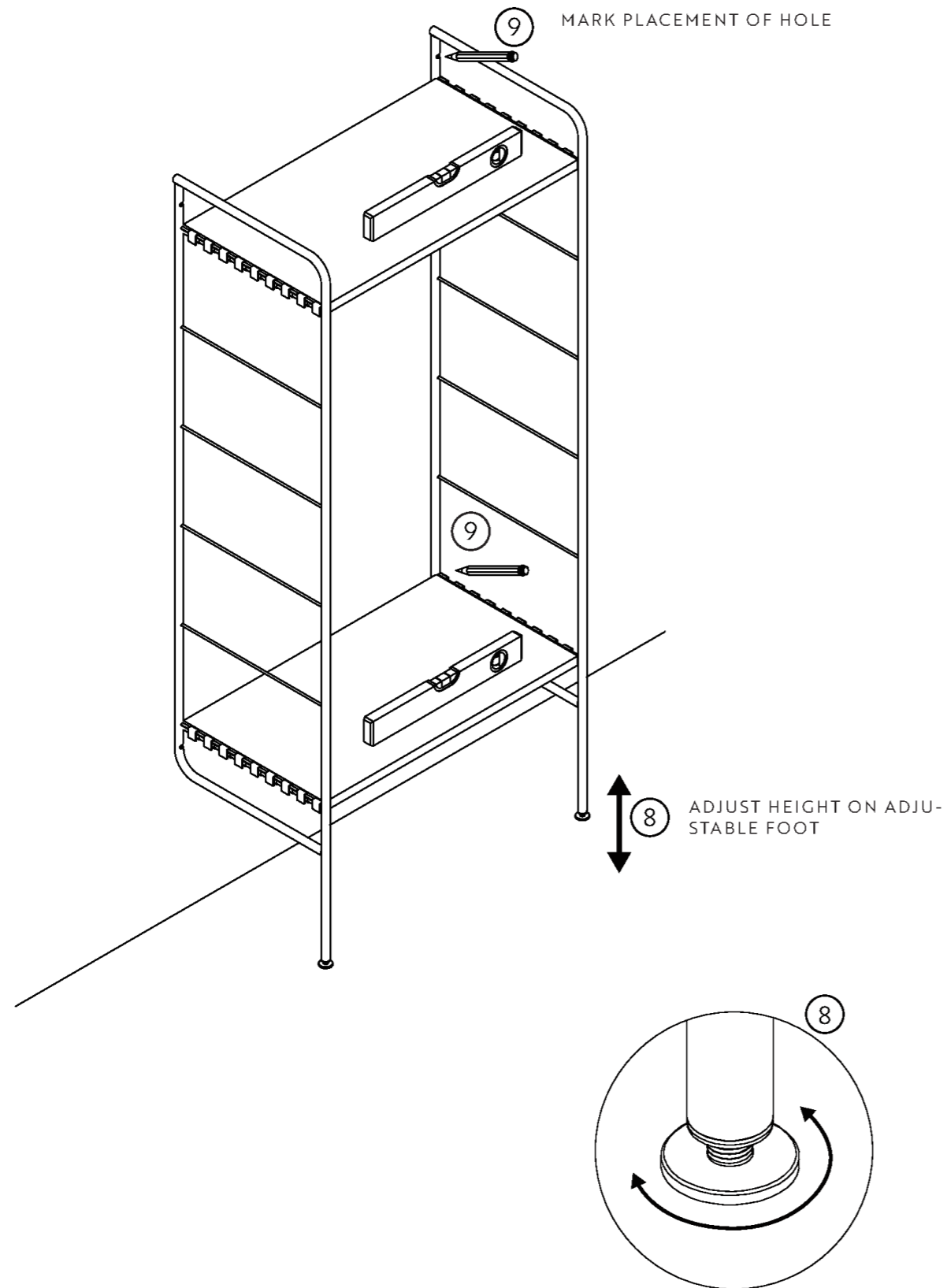
STEP 4

ADD SHELVES AND PANEL TO THE MOUNTED PANEL TO MEASURE THE RIGHT DISTANCE BETWEEN THE PANELS



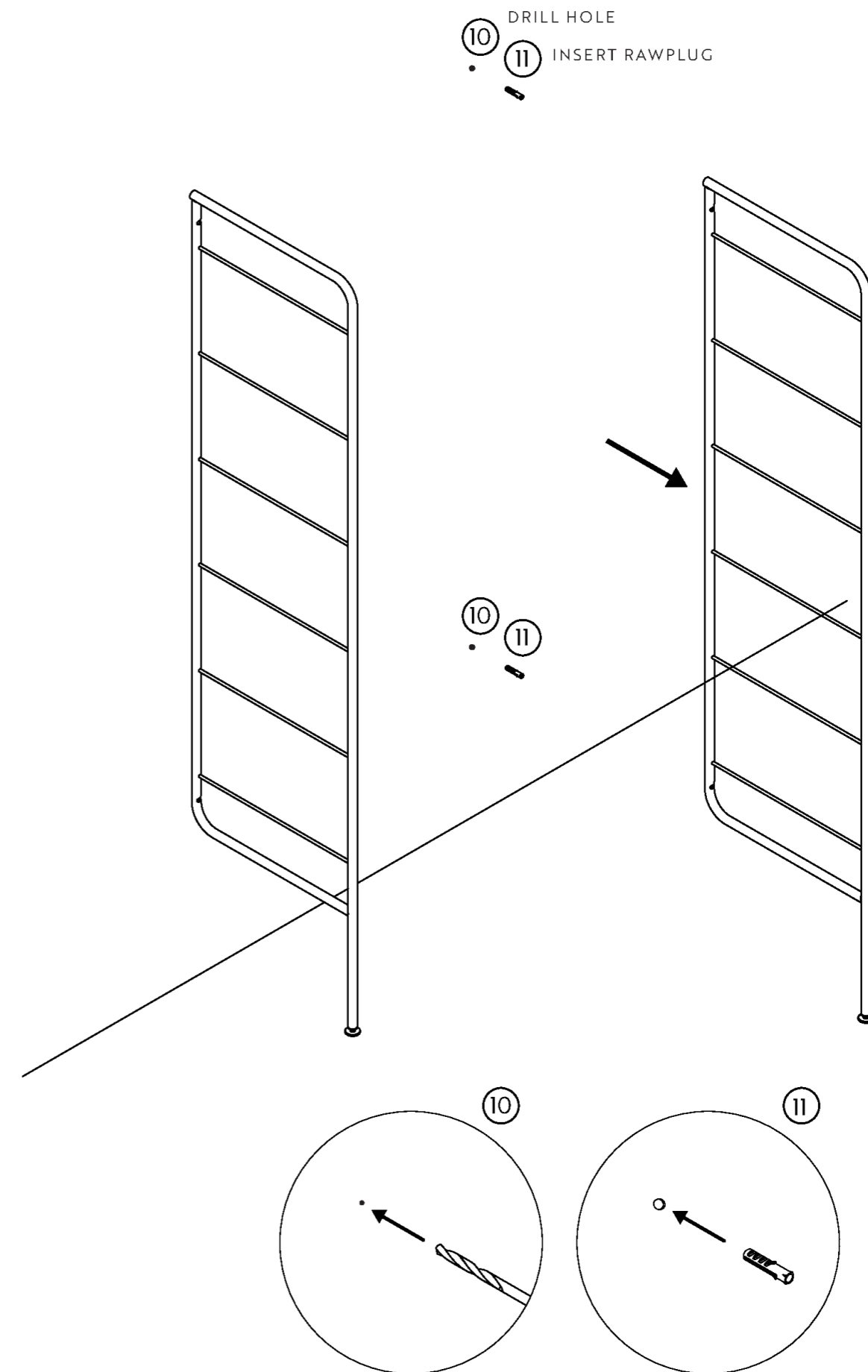
SHELF MOUNTING

STEP 5



SHELF MOUNTING

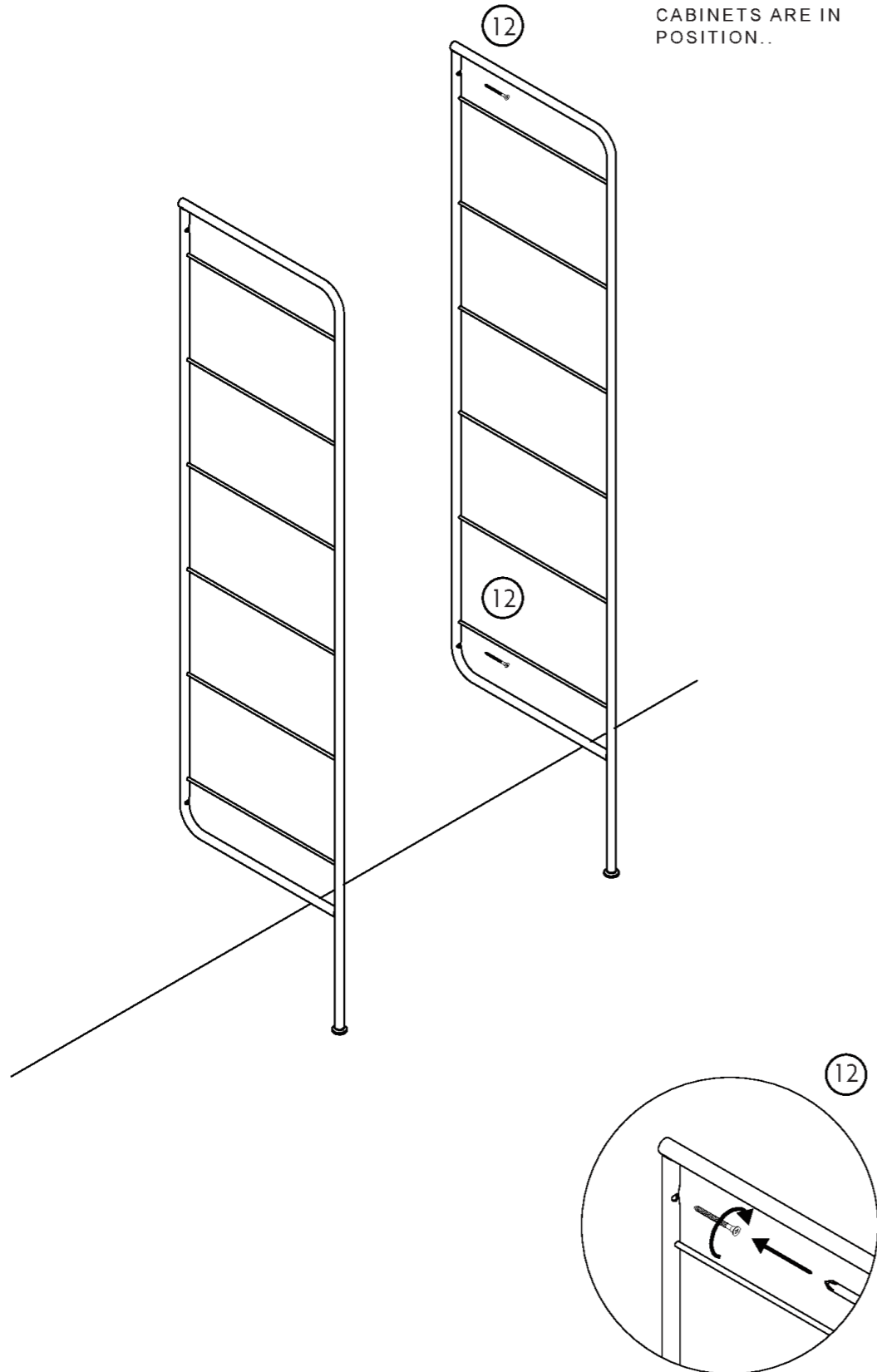
STEP 6



SHELF MOUNTING

STEP 7

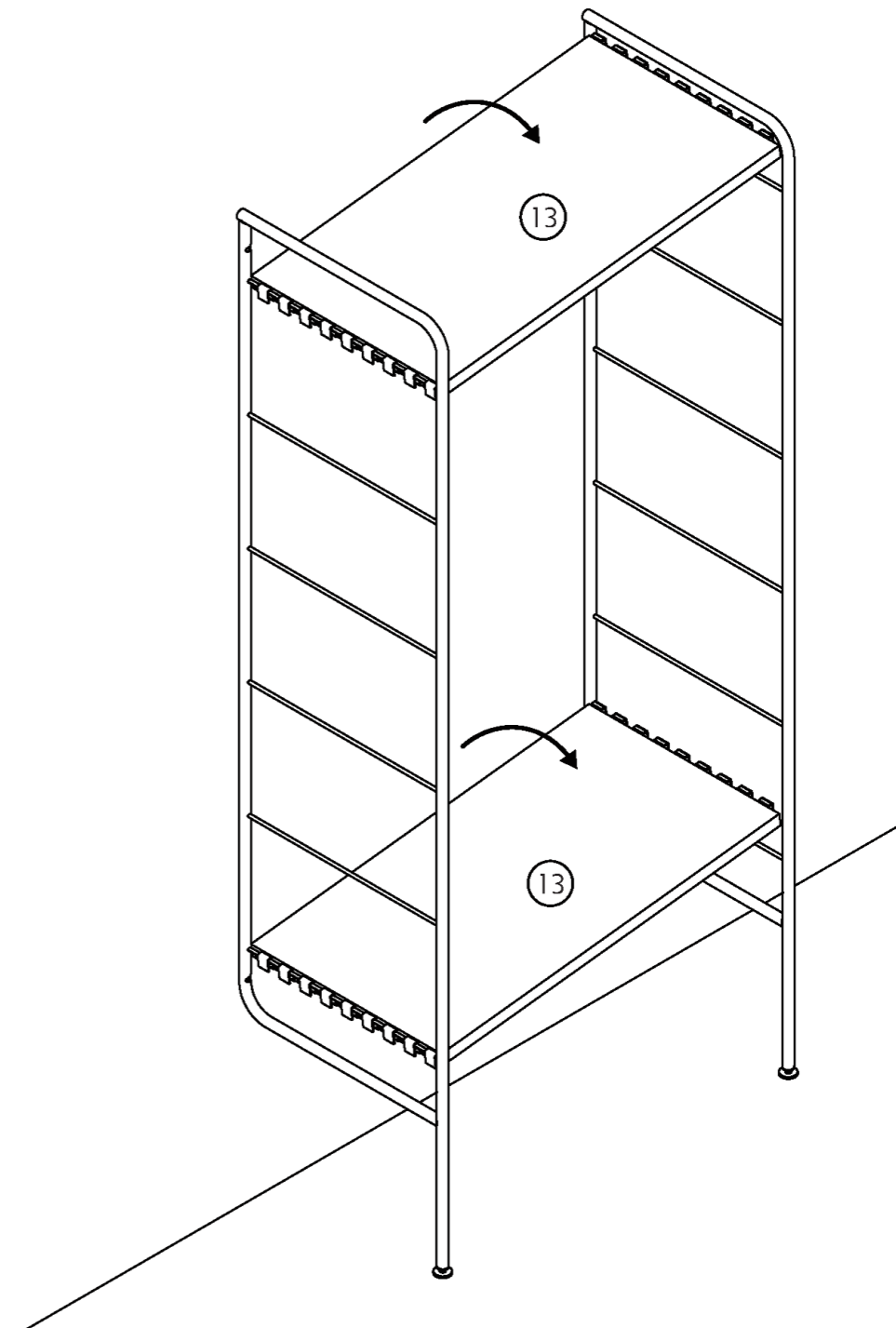
DO NOT TIGHTEN THE SCREWS OF THE SECOND (AND FOLLOWING) PANELS UNTIL SHELVES OR CABINETS ARE IN POSITION..



SHELF MOUNTING

STEP 8

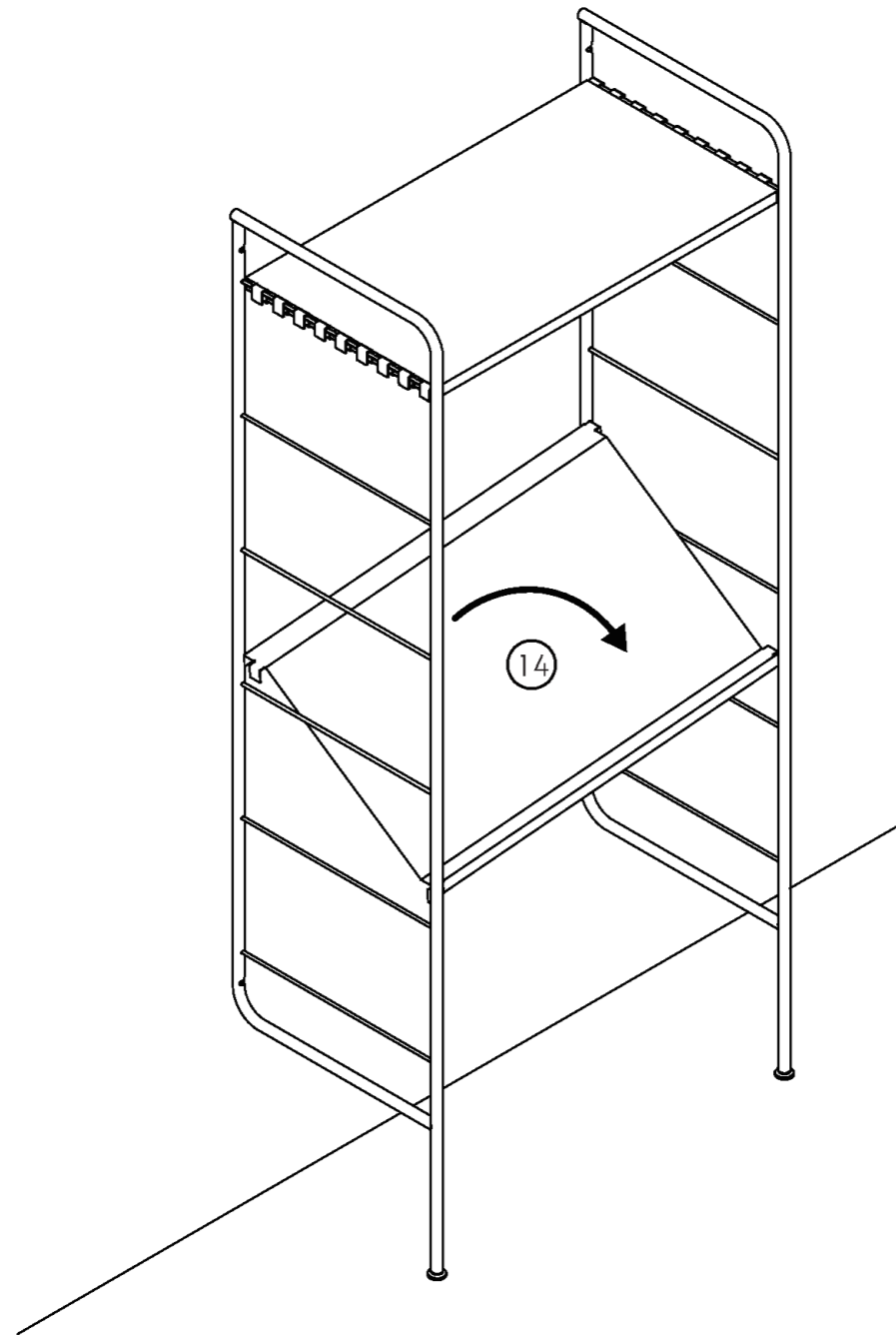
PLACE SHELVES BY ANGELING IT FROM ONE PANEL TO ANOTHER



MAGAZINE / SHOE RACK MOUNTING

STEP 1

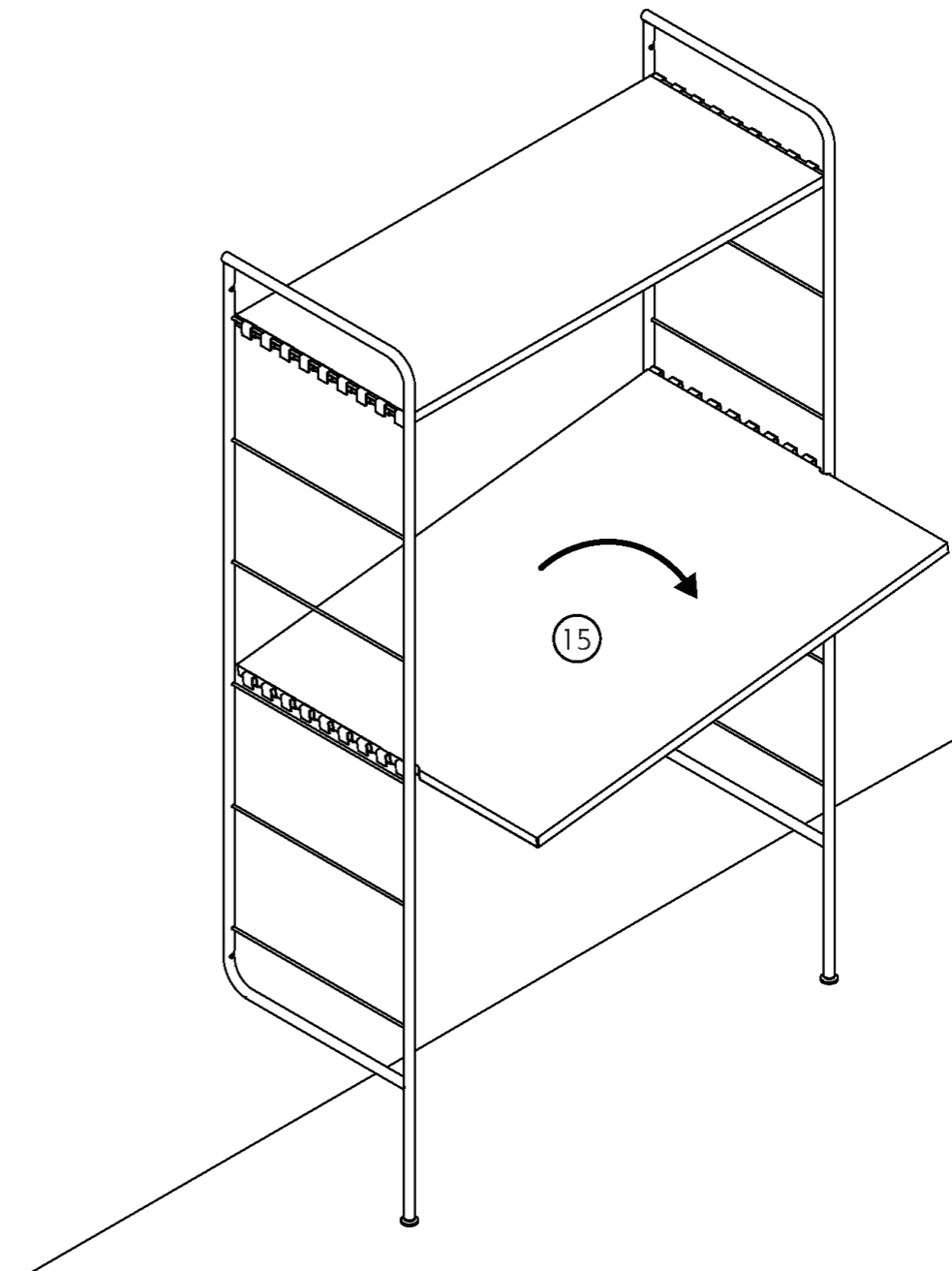
PLACE MAGAZINE/SHOE SHELF BY ANGELING IT FROM ONE PANEL TO ANOTHER



DESK MOUNTING

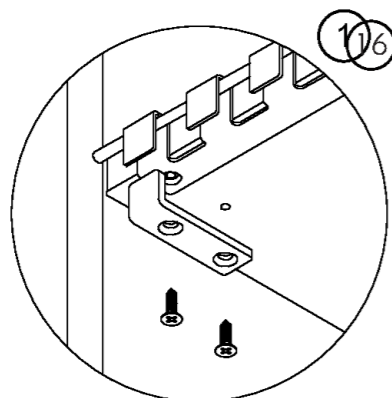
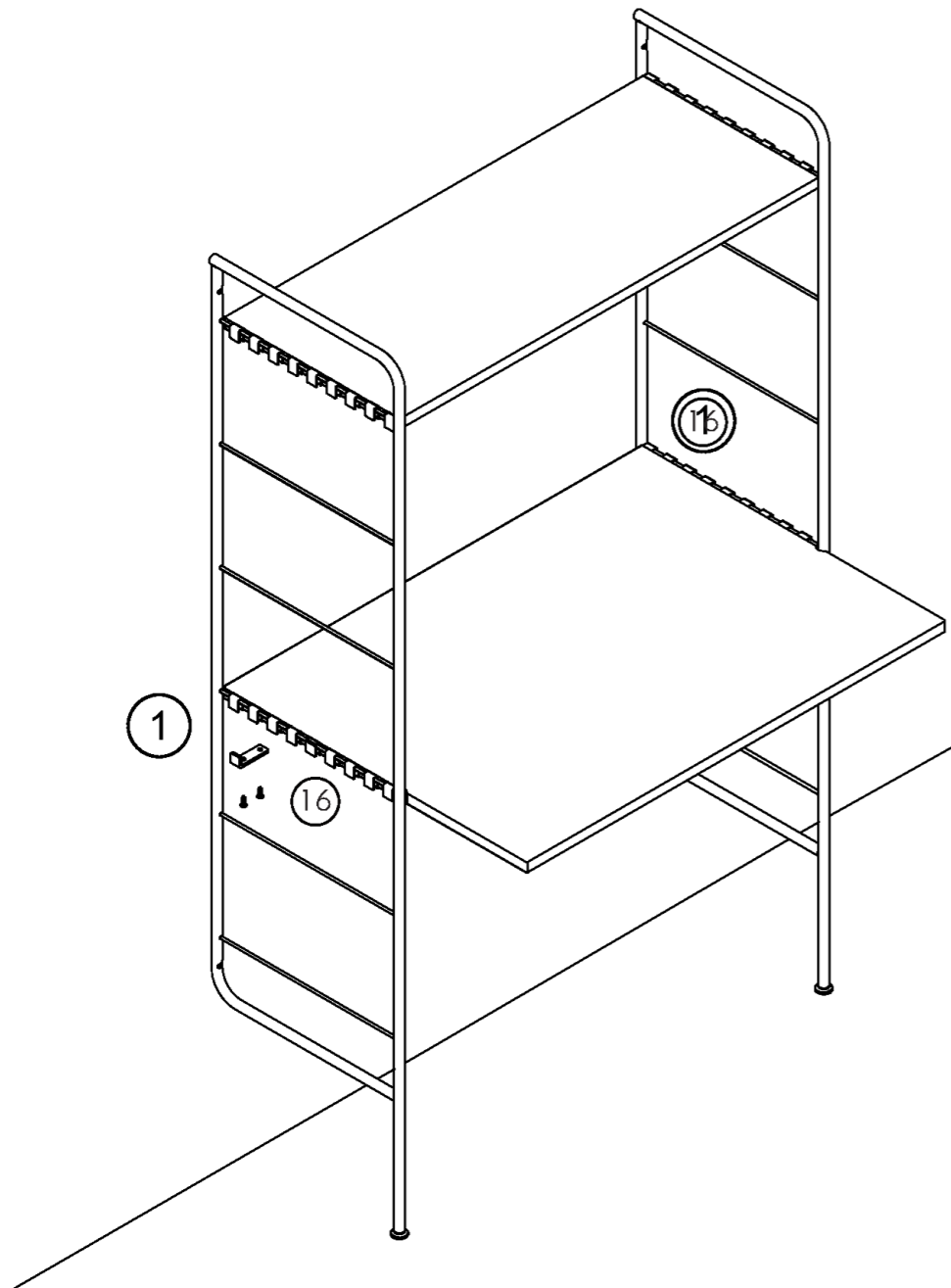
STEP 1

PLACE DESK BY ANGELING IT FROM ONE PANEL TO ANOTHER



DESK MOUNTING

STEP 2

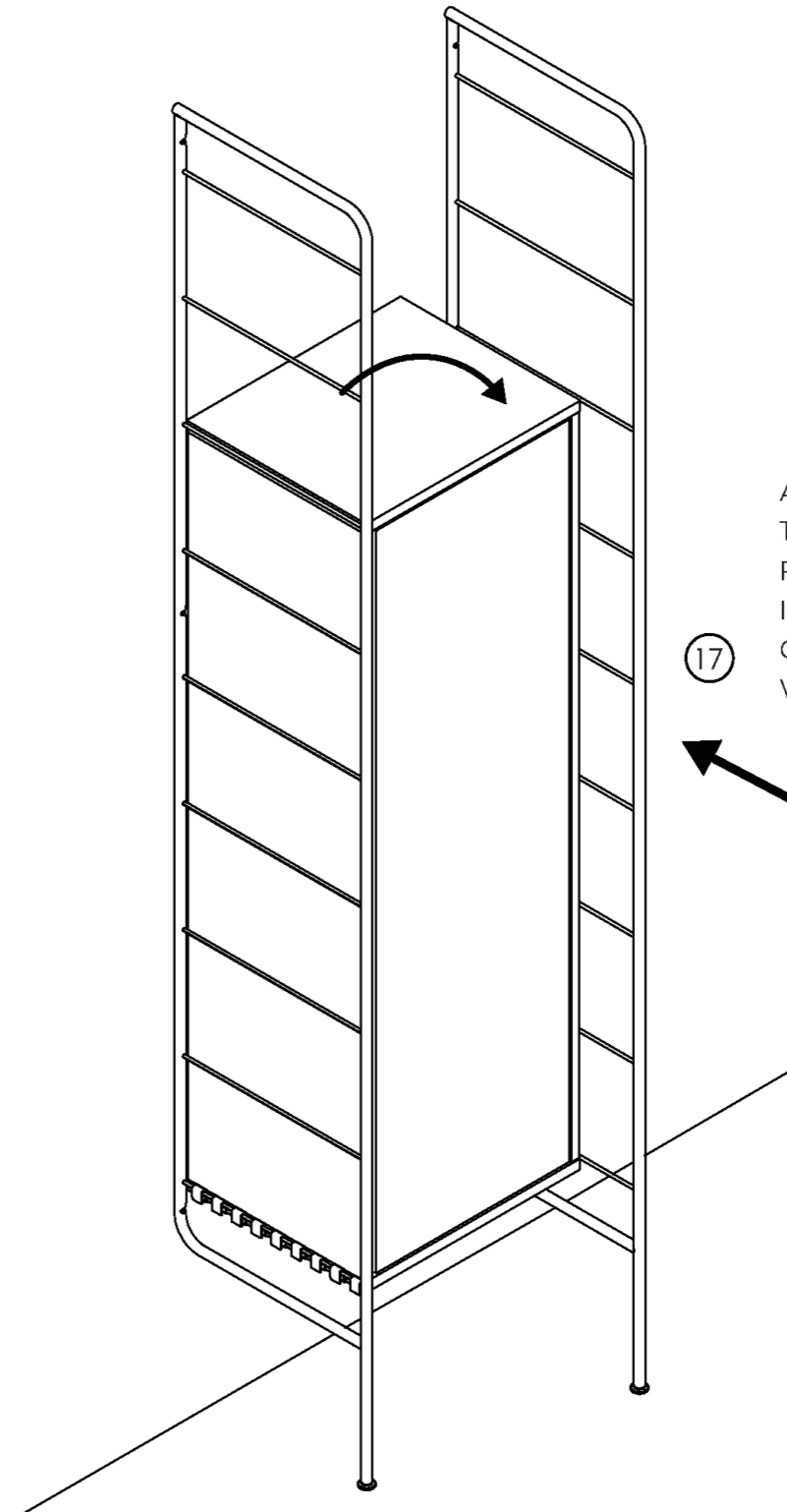


CABINET MOUNTING

STEP 1



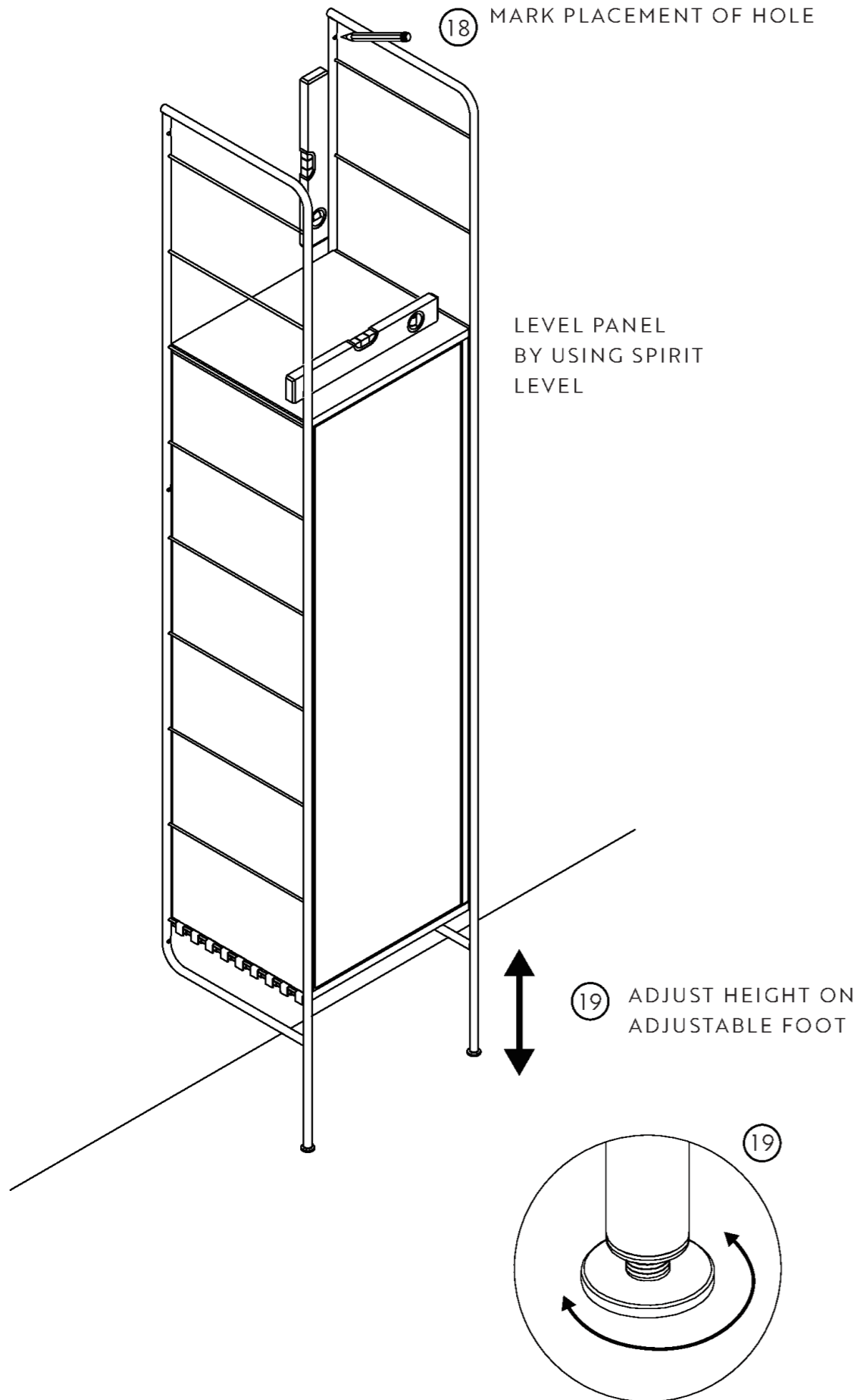
START BY FOLLOWING STEP 1-3



ADD SHELVES OR CABINETS TO THE MOUNTED PANEL, PUT THE RIGHT HAND PANEL IN POSITION TO SECURE CORRECT DISTANCE BETWEEN PANELS

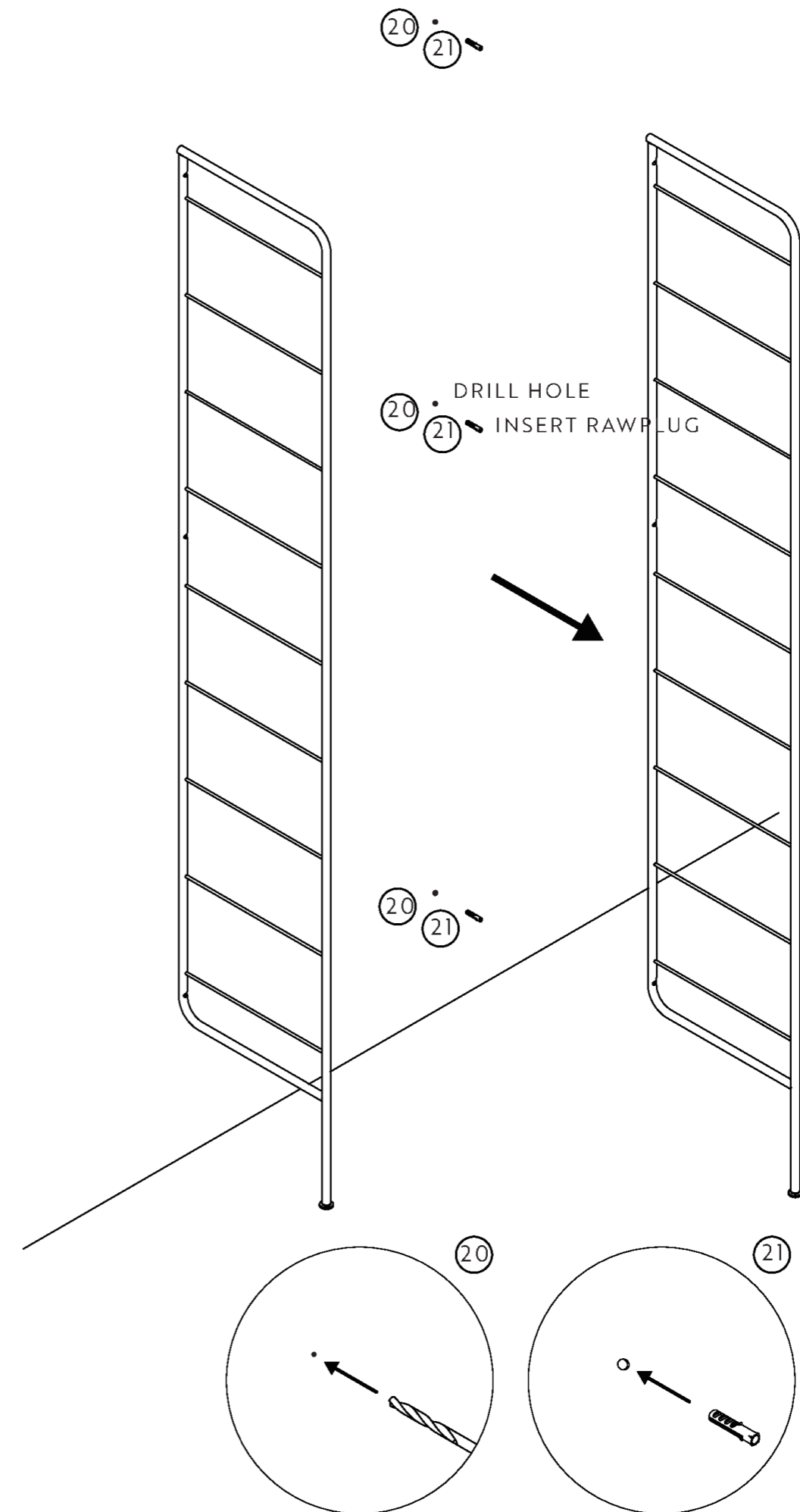
CABINET MOUNTING

STEP 2



CABINET MOUNTING

STEP 3



STEP 15

CABINET MOUNTING

22 TURN PANEL LEG OUT

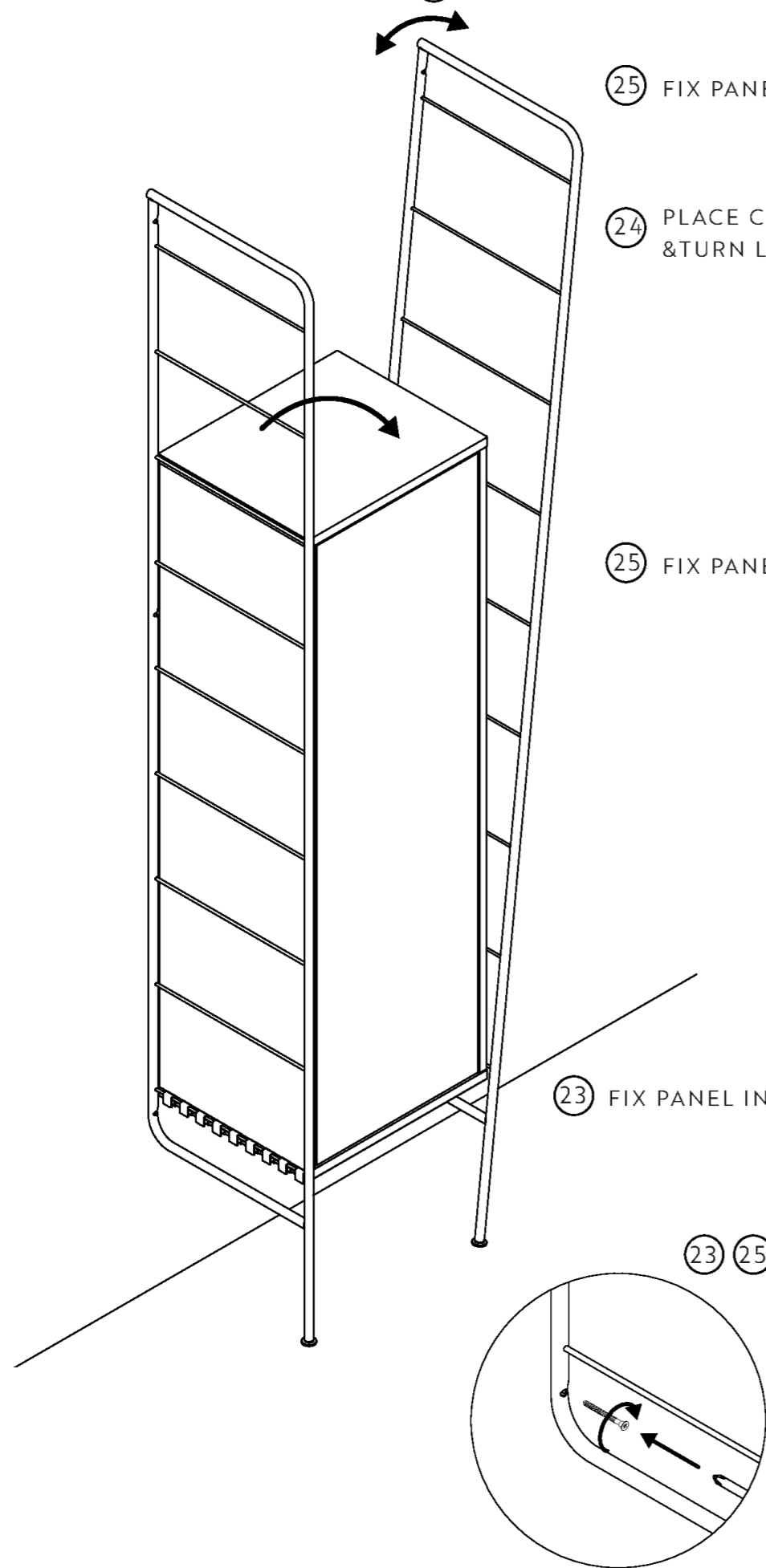
25 FIX PANEL IN TOP WITH SCREWS

24 PLACE CABINET
& TURN LEG IN

25 FIX PANEL IN TOP WITH SCREWS

23 FIX PANEL IN BOTTOM

23 25



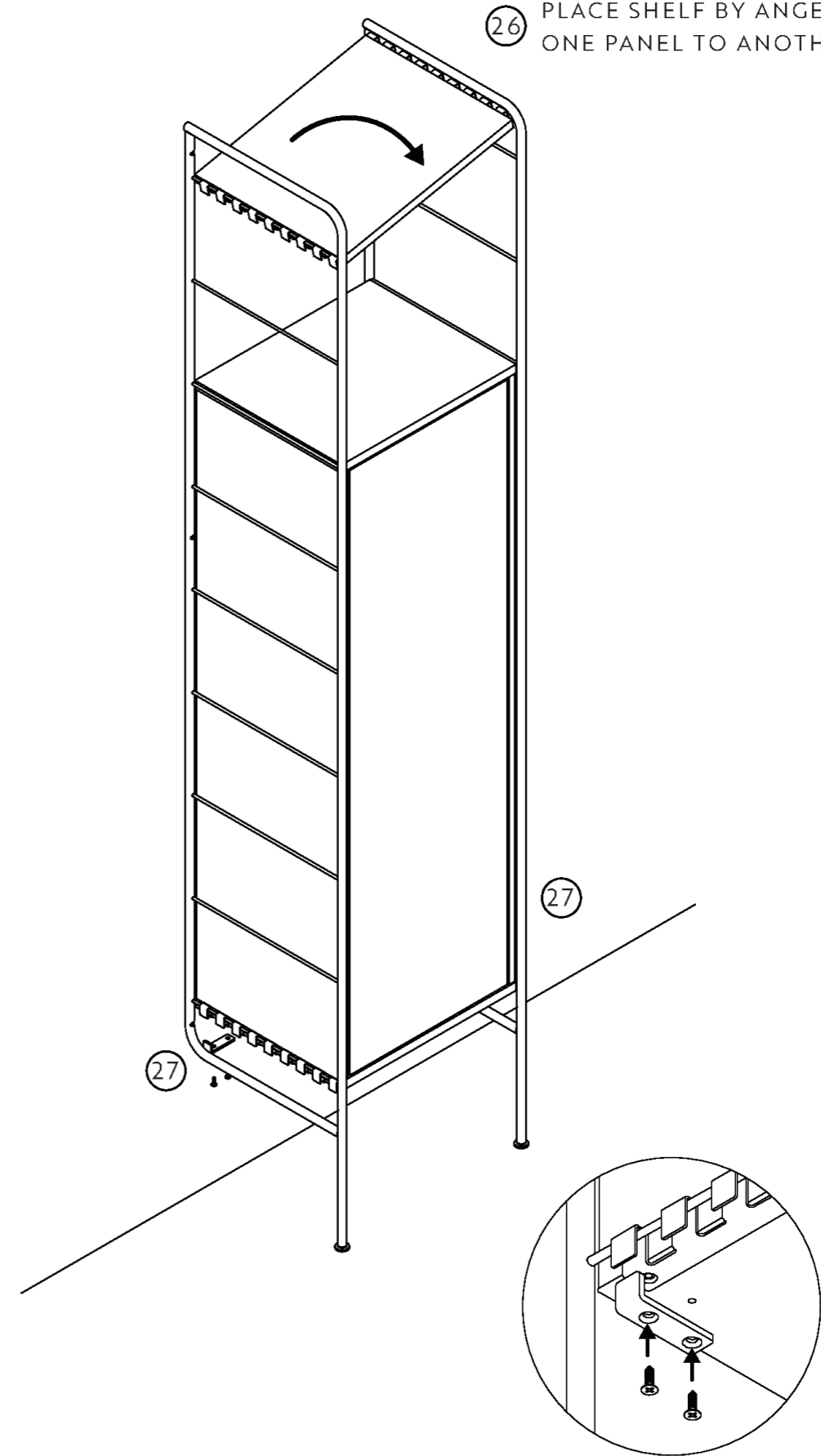
STEP 16

CABINET MOUNTING

26 PLACE SHELF BY ANGELING IT FROM
ONE PANEL TO ANOTHER

27

27

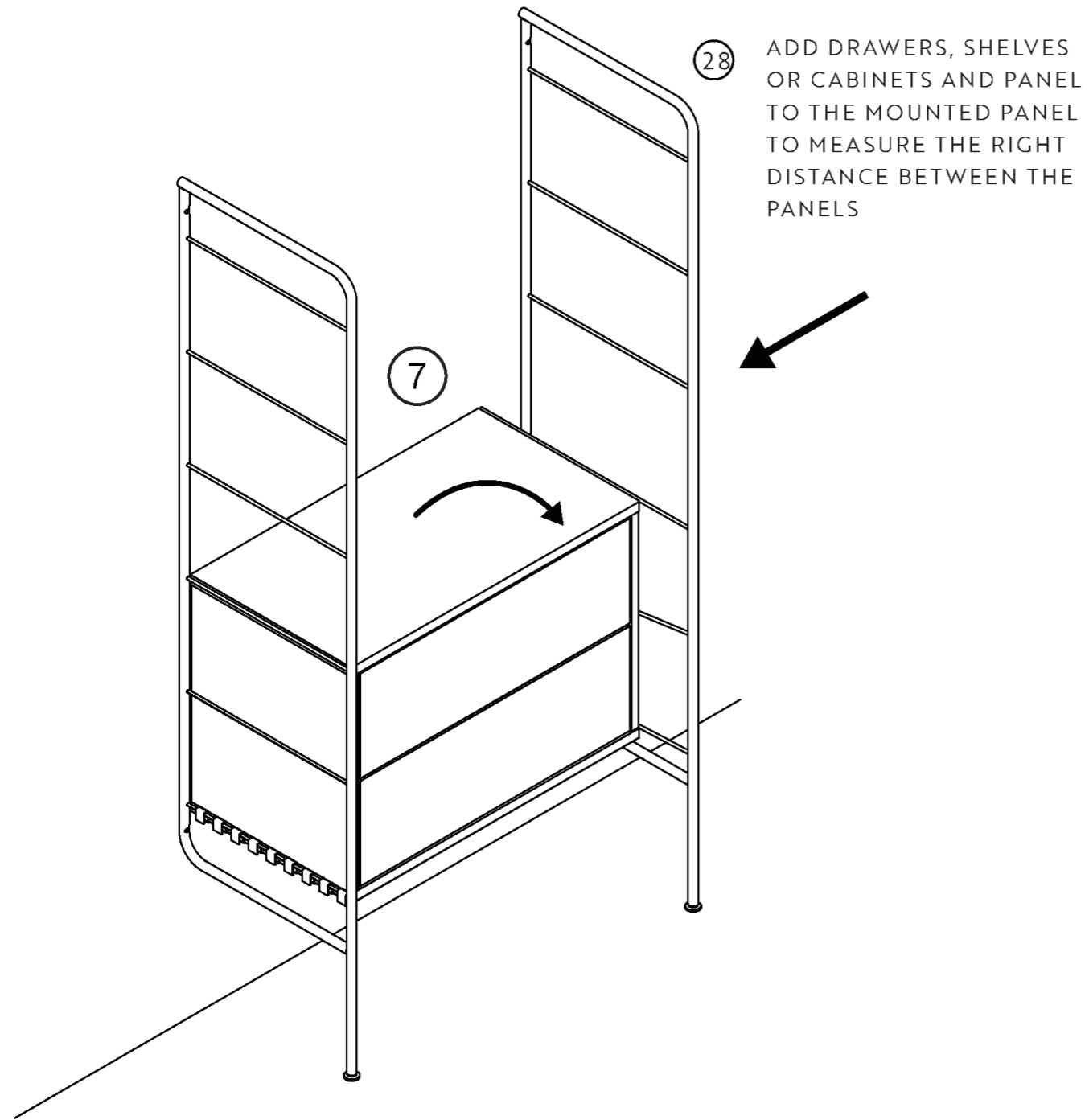


DRAWER MOUNTING

STEP 1

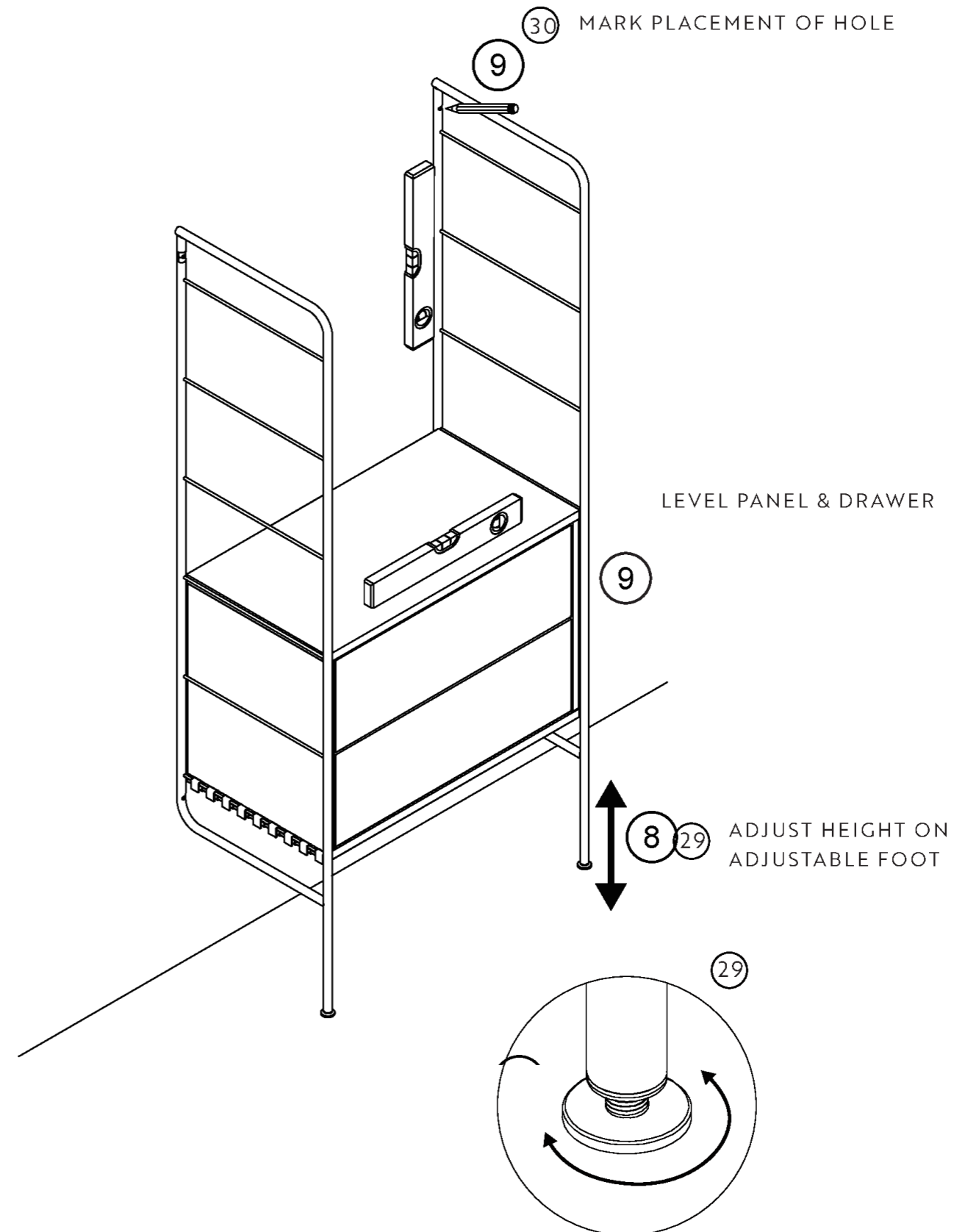


FOLLOWS STEP 1-3



DRAWER MOUNTING

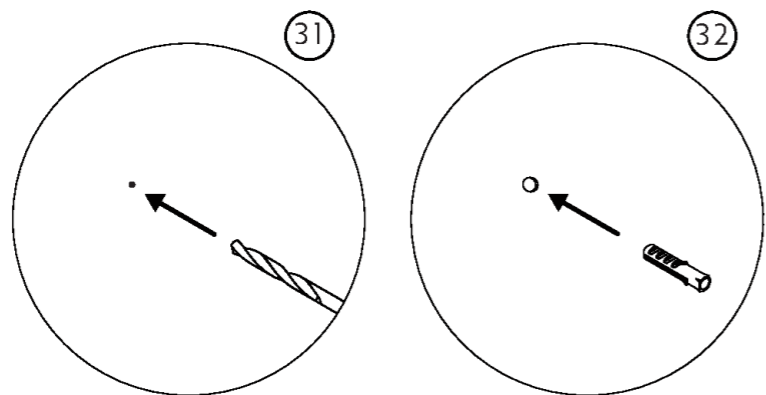
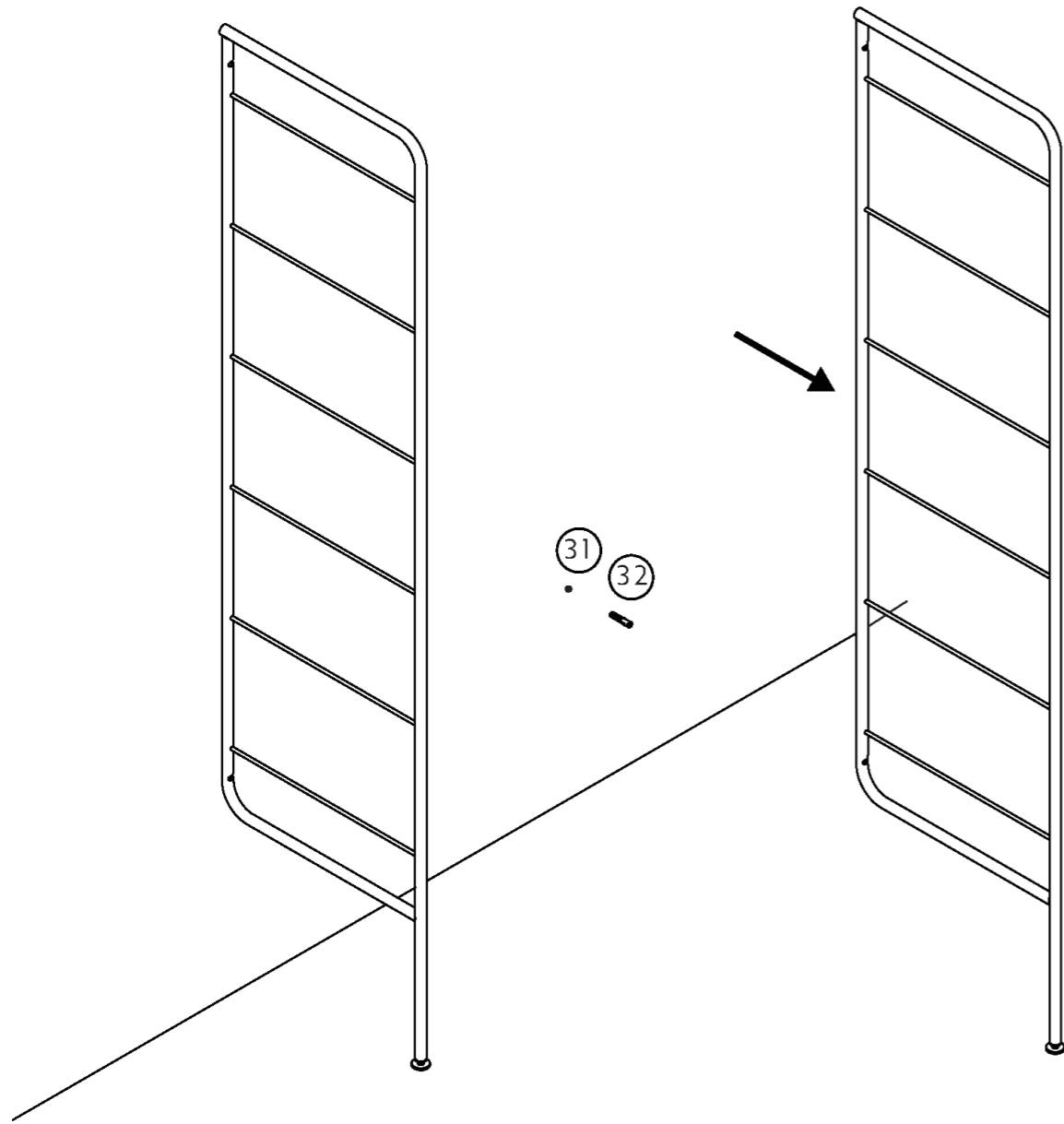
STEP 2



CABINET MOUNTING

STEP 3

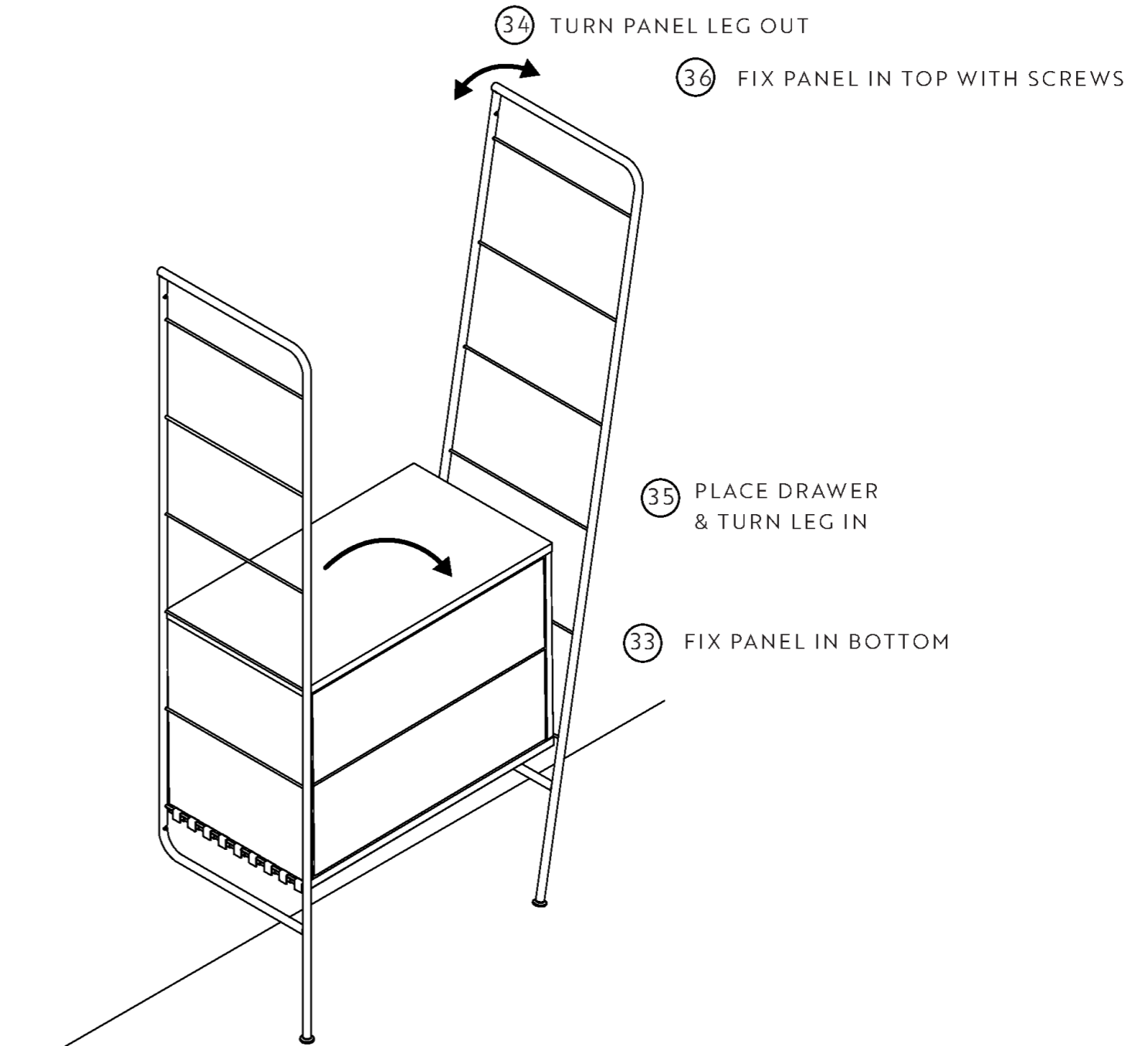
- 31 DRILL HOLE
- 32 INSERT RAWPLUG



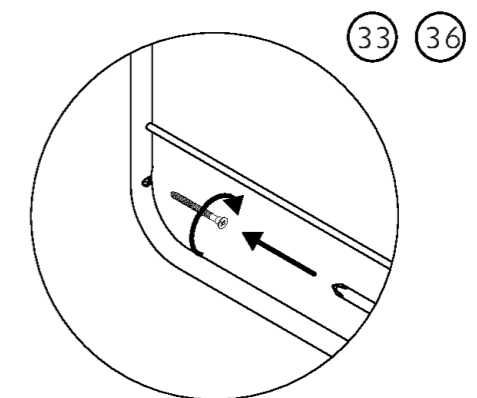
CABINET MOUNTING

STEP 4

- 34 TURN PANEL LEG OUT
- 36 FIX PANEL IN TOP WITH SCREWS

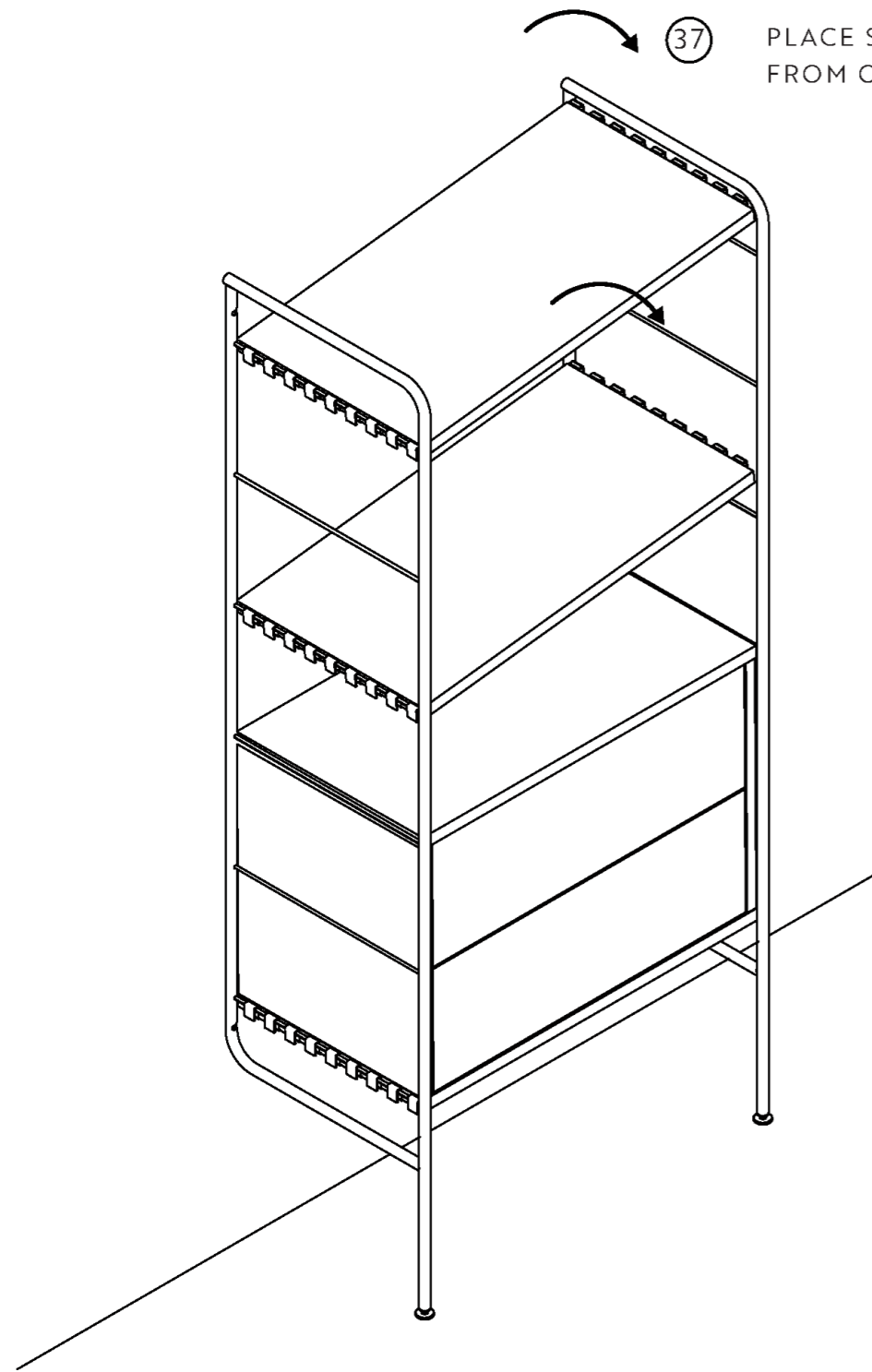


- 35 PLACE DRAWER & TURN LEG IN
- 33 FIX PANEL IN BOTTOM



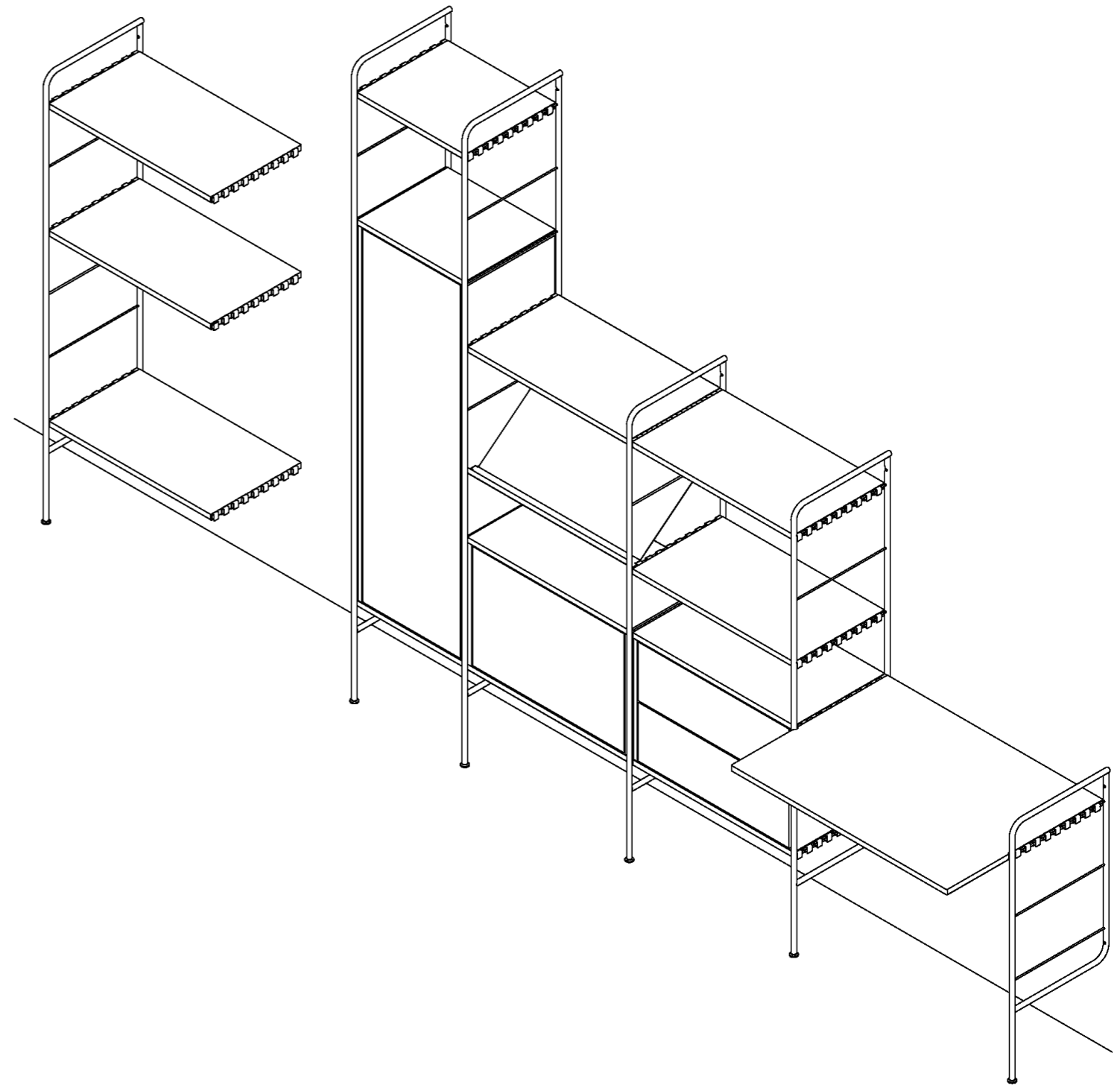
CABINET MOUNTING

STEP 5



37 PLACE SHELVES BY ANGELING IT FROM ONE PANEL TO ANOTHER

REPEAT STEP 4 - 7



ORGANISED STORAGE SYSTEM

THE STORAGE SYSTEMS ARE PERFECT FOR SMART HOME AND WORK ENVIRONMENTS. THE CONCEPTS CAN BE ADAPTED TO AVAILABLE SPACE. THE SYSTEM IS FLEXIBLE, MULTIFUNCTIONAL AND NOT LEAST EASY TO ASSEMBLE.

THE PRODUCTS ARE PACKED IN FLAT PACKAGES TO PROVIDE A COST-EFFECTIVE SUPPLY CHAIN FROM PRODUCTION, VIA WAREHOUSE AND DELIVERY TO YOU.

THE DESIGN FOLLOWS A WELL-KNOWN AND APPRECIATED SCANDINAVIAN DESIGN TRADITION. THE CONCEPTS INCLUDE MODERN AND HIGH-QUALITY PRODUCTS AT AFFORDABLE PRICES.

THE DESIGN IS MADE IN COLLABORATION WITH HANS THYGE & CO. THEY SPECIALIZE MAINLY IN FURNITURE DESIGN, INTERIOR AND GRAPHIC.

organised

ORGANISED BY SWEDEN AB
info@organised.se

www.organised.se