

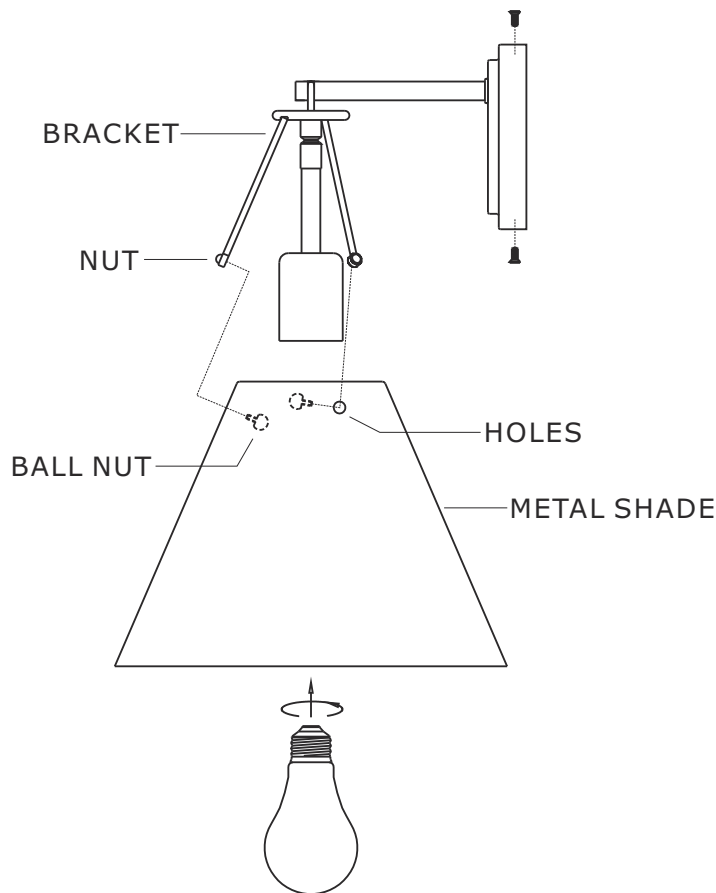
# CRYSTORAMA

LIGHTING THE WAY FOR SIXTY YEARS

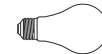


Crystorama.com

## ASSEMBLY INSTRUCTION MODEL #XAV-B8311-VG-GR



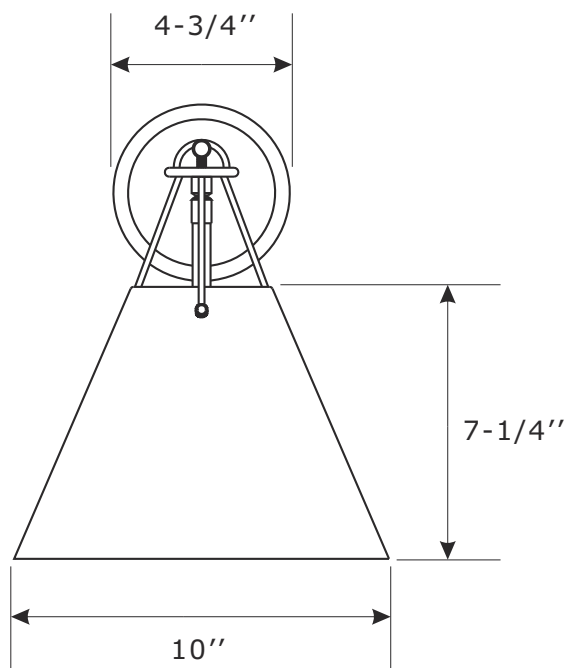
All electrical components must be installed by a licensed electrician in accordance with the National Electric Code and the appropriate local electrical codes.



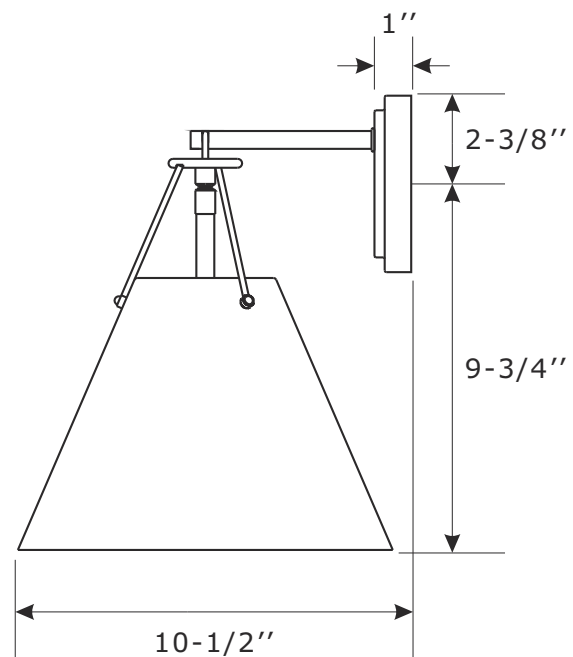
You will need 1- Medium Base Bulb  
60 Watts Recommended 100 Watts Max.  
USE LED BULBS FOR EXTENDED USE  
This fixture is Damp rated

### How to install

1. Install the mounting plate to the outlet box using two outlet box screws.
2. Install backplate onto the mounting plate, and secure with the mounting screws.
3. Put the metal shade over the socket and line up the holes on the metal shade with nuts on the bracket, and secure it with the ball nuts.
4. Install the bulb(not included) into the socket.



FRONT VIEW



SIDE VIEW

WARNING: This product can expose you to Lead which is known to the state of California to cause cancer and/or birth defects or reproductive harm. For more information go to [www.P65Warnings.ca.gov](http://www.P65Warnings.ca.gov)



## ASSEMBLY INSTRUCTION MODEL #XAV-B8311-VG-GR

### Part Number

#### Part Numbers

- A. (1)-Mounting hardware
- B. (1)-Mounting plate
- C. (1)-Backplate W4-3/4"xH1" #XRF8311VGBKP4.75IN
- D. (2)-Mounting screw
- E. (1)-Socket
- F. (1)-Metal shade W10"xH7-1/4" #XRF8311GRSHA10IN
- G. (3)-Ball nut #XRF8311WHBANUT

