

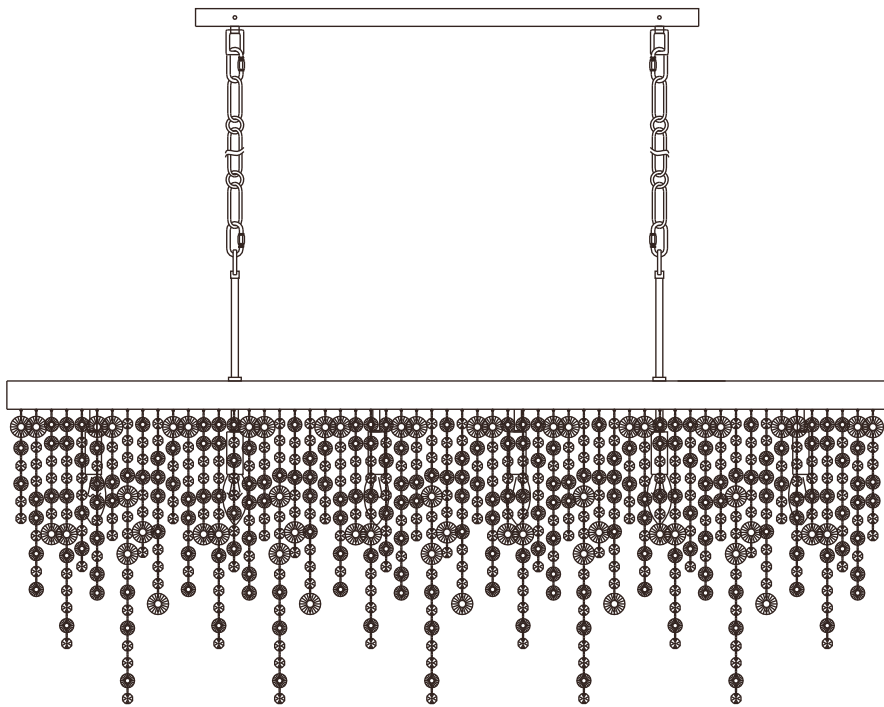
CRYSTORAMA

LIGHTING THE WAY FOR SIXTY YEARS



Crystorama.com

ASSEMBLY INSTRUCTION MODEL #WIN-617-BF-CL-MWP



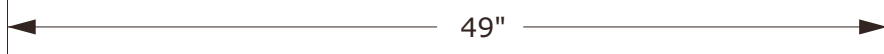
WARNING:

Electrical Danger Turn Power Off

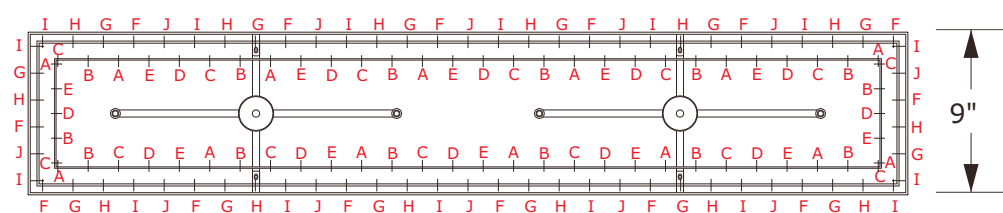
All electrical components must be installed by a licensed electrician in accordance with the National Electric Code and the appropriate local electrical codes.



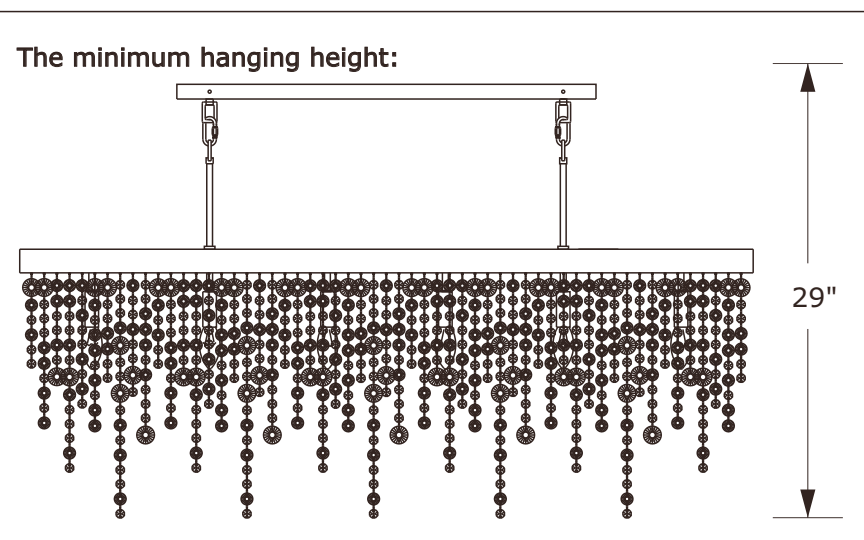
You will need 6 -Candelabra Base Bulb
40 Watts Recommended 60 Watts Max.
USE LED BULBS FOR EXTENDED USE
THIS FIXTURE IS DAMP RATED



DETAILED ILLUSTRATION



SUGGESTED CRYSTAL PLACEMENT TOP VIEW
PLEASE REFERENCE CRYSTAL KEY



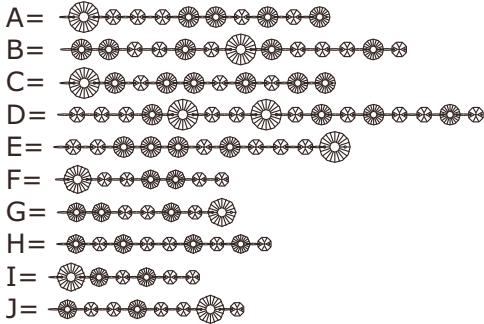
How to Install

1. Determine preferred hanging height and adjust to the required chain.
2. On both sides, feed wires through the hanging stem and chain.
3. Attach the stem onto the fixture body.
4. On each piece of chain, hang one end at the loop on canopy and the second end at the loop on the top of stem.
5. Insert recommended bulb (not included).
6. Dress the crystal strands as illustrated.

WARNING: This product can expose you to Lead, which is known to the State of California to cause cancer and/or birth defects or reproductive harm. For more information go to www.P65Warnings.ca.gov.



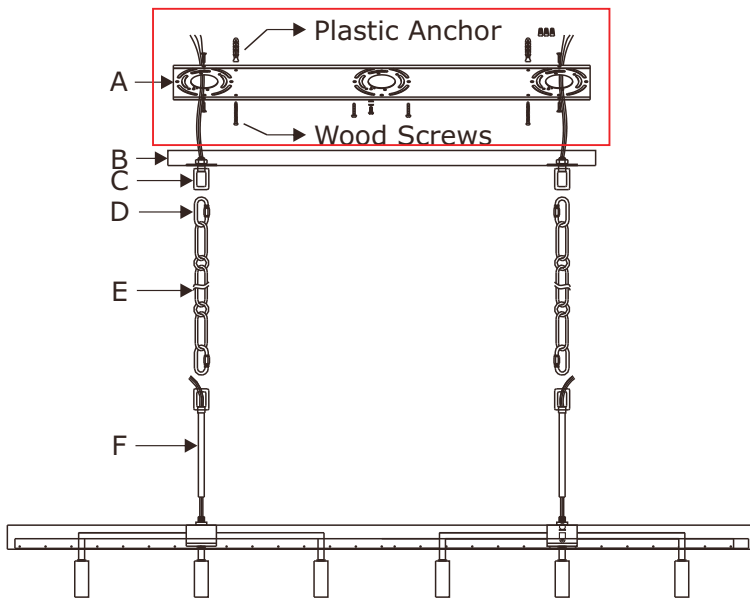
PART NUMBER MODEL #WIN-617-BF-CL-MWP



Crystal Key

- | | |
|---|--|
| A. 14 Sets.
(5)14mm + (4)20mm + (1)30mm | G. 14 Sets.
(3)14mm + (3)20mm + (1)30mm |
| B. 14 Sets.
(7)14mm + (5)20mm + (1)30mm | H. 14 Sets.
(5)14mm + (4)20mm |
| C. 14 Sets.
(3)14mm + (6)20mm + (1)30mm | I. 16 Sets.
(3)14mm + (2)20mm + (1)30mm |
| D. 12 Sets.
(10)14mm + (4)20mm + (2)30mm | J. 12 Sets.
(5)14mm + (2)20mm + (1)30mm |
| E. 12 Sets.
(6)14mm + (4)20mm + (1)30mm | |
| F. 14 Sets.
(4)14mm + (2)20mm + (1)30mm | |

Part Number



- A. (1) - Mounting Hardware include:
 (1) - Mounting Plate
 (4) - Machine Screw
 (3) - Wire Connector
 (2) - Plastic Anchor
 (2) - Wood Screw
- B. (1) - Canopy(L28",W4.5",H0.75") #XRE617BFCAN28IN
- C. (4) - Fixture Loop
- D. (4) - Quick Link
- E. (2) - Hanging Chain(each72",5.0mm) #XRE617BFCHA5MM
- F. (2) - Hanging Stem(6",12.7mm) #XRE617BFSTEM6IN

For installation of mounting plate:

1. Please measure the distance between the two mounting keyholes on the mounting plate.
2. Make two points on the ceiling according to the distance measured above.
3. Drill two holes at the two points and insert the plastic anchors.
4. Put the mounting plate over outlet box and insert two wood screws in the plastic anchors and tighten them.