

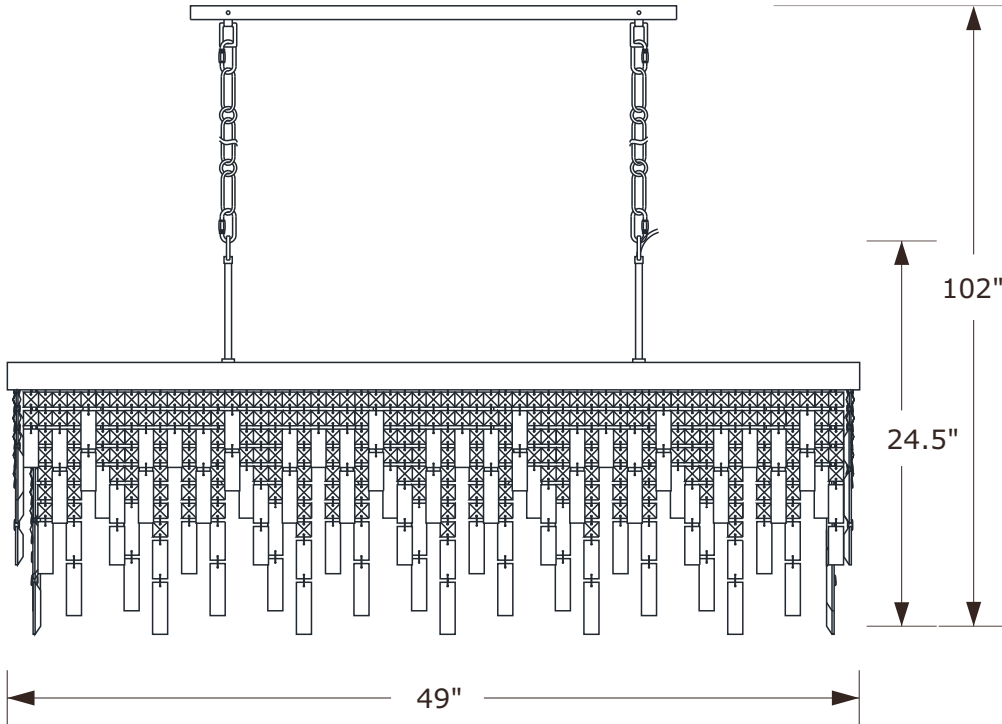
CRYSTORAMA

LIGHTING THE WAY FOR SIXTY YEARS



Crystorama.com

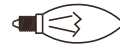
ASSEMBLY INSTRUCTION MODEL #WIN-217-GA-CL-MWP



WARNING:

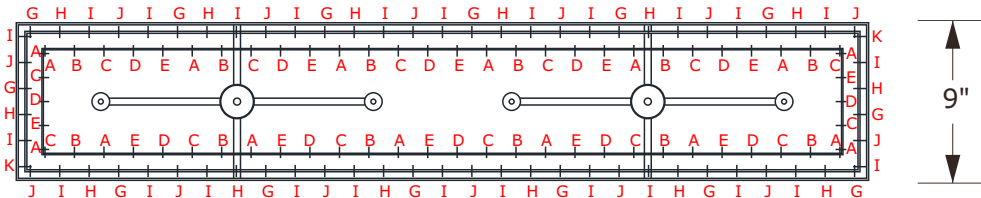
Electrical Danger Turn Power Off

All electrical components must be installed by a licensed electrician in accordance with the National Electric Code and the appropriate local electrical codes.



You will need 6 -Candelabra Base Bulb
40 Watts Recommended 60 Watts Max.
USE LED BULBS FOR EXTENDED USE
THIS FIXTURE IS DAMP RATED

DETAILED ILLUSTRATION

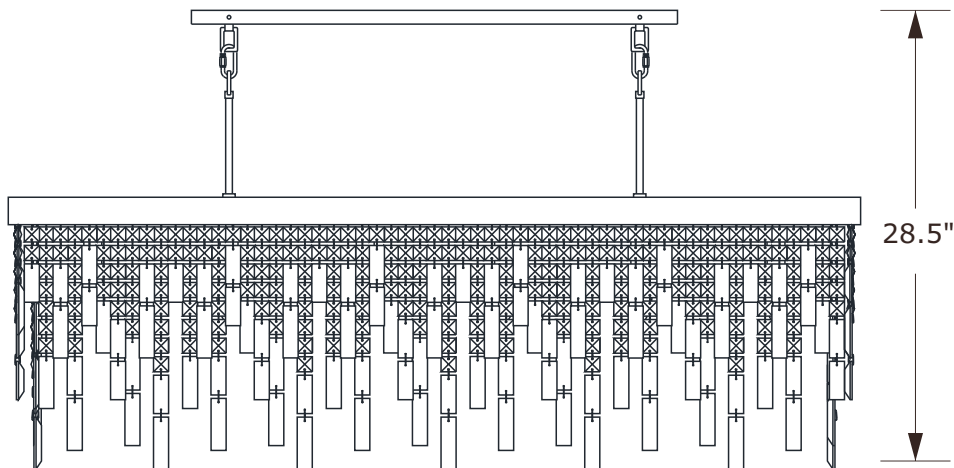


SUGGESTED CRYSTAL PLACEMENT TOP VIEW
PLEASE REFERENCE CRYSTAL KEY

How to Install

1. Determine preferred hanging height and adjust to the required chain.
2. On both sides, feed wires through the hanging rod and chain.
3. Attach the rod onto the fixture body.
4. On each chain, open one quick link and attach it to the loop on the canopy. Open the other quick link, at the opposite end of the chain, and attach it to the loop on the top of the rod.
5. Insert recommended bulb (not included).
6. Dress the crystal strands as illustrated.

The minimum hanging height:



WARNING: This product can expose you to Lead, which is known to the State of California to cause cancer and/or birth defects or reproductive harm. For more information go to www.P65Warnings.ca.gov.



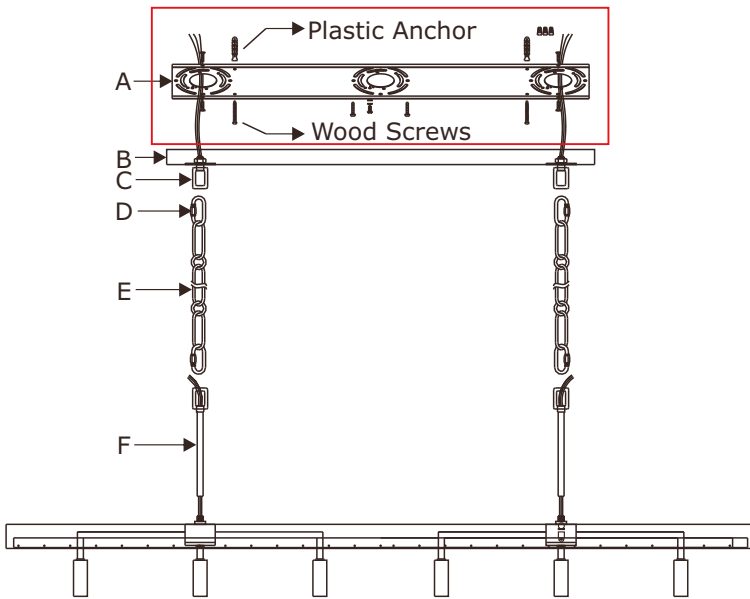
PART NUMBER MODEL #WIN-217-GA-CL-MWP

- A=
- B=
- C=
- D=
- E=
- G=
- H=
- I=
- J=
- K=

Crystal Key

- | | |
|---|---|
| A. 16 Sets.
(4)22X22mm+(1)22X76 | H. 14 Sets.
(1)22X22mm+(2)22X56 |
| B. 12 Sets.
(7)22X22mm+(1)22X56+(1)22X76 | I. 26 Sets.
(2)22X22mm+(1)22X56+(1)22X76 |
| C. 14 Sets.
(7)22X22mm+(1)22X76 | J. 14 Sets.
(2)22X22mm+(1)22X56 |
| D. 12 Sets.
(8)22X22mm+(1)22X56+(1)22X76 | K. 2 Sets.
(3)22X22mm+(1)22X76 |
| E. 12 Sets.
(6)22X22mm+(2)22X76 | |
| G. 14 Sets.
(5)22X22mm+(2)22X56 | |

Part Number



- A. (1) - Mounting Hardware include:
 - (1) - Mounting Plate
 - (4) - Machine Screw
 - (3) - Wire Connector
 - (2) - Plastic Anchor
 - (2) - Wood Screw
- B. (1) - Canopy(L28",W4.5",H0.75") #XRE217GACAN28IN
- C. (4) - Fixture Loop
- D. (4) - Quick Link
- E. (2) - Hanging Chain(each 72",5.0mm) #XRE217GACHA5MM
- F. (2) - Rod(6",12.7mm) #XRE217GAROD6IN

For installation of mounting plate:

1. Please measure the distance between the two mounting keyholes on the mounting plate.
2. Make two points on the ceiling according to the distance measured above.
3. Drill two holes at the two points and insert the plastic anchors.
4. Put the mounting plate over outlet box and insert two wood screws in the plastic anchors and tighten them.