

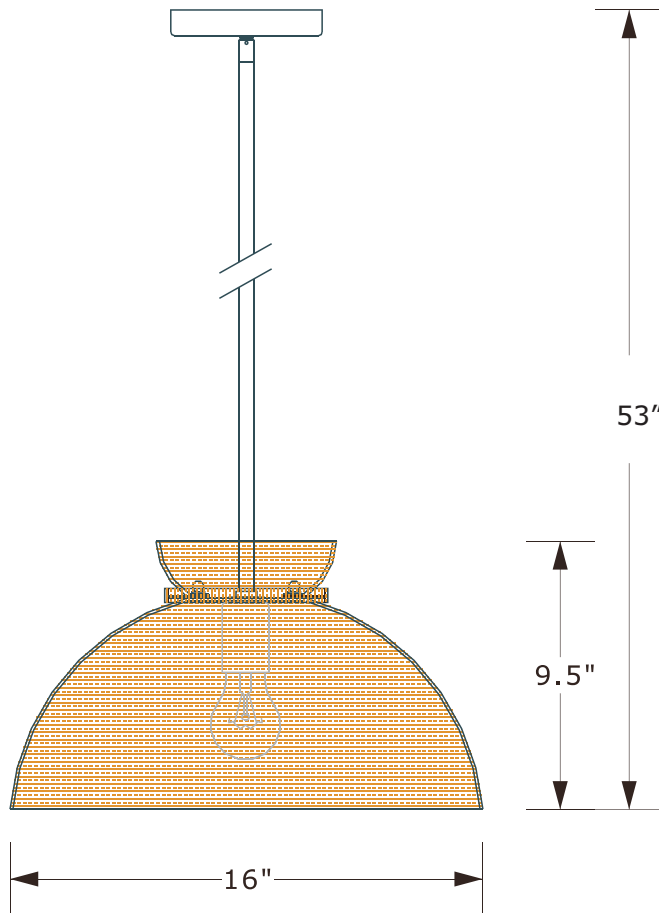
CRYSTORAMA

LIGHTING THE WAY FOR SIXTY YEARS

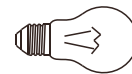


Crystorama.com

ASSEMBLY INSTRUCTION MODEL # RES-10520-MT



All electrical components must be installed by a licensed electrician in accordance with the National Electric Code and the appropriate local electrical codes.



You will need 1 - Medium Base Bulb.
40 Watts Recommended 60 Watts Max.

USE LED BULBS FOR EXTENDED USE
THIS FIXTURE IS DAMP RATED

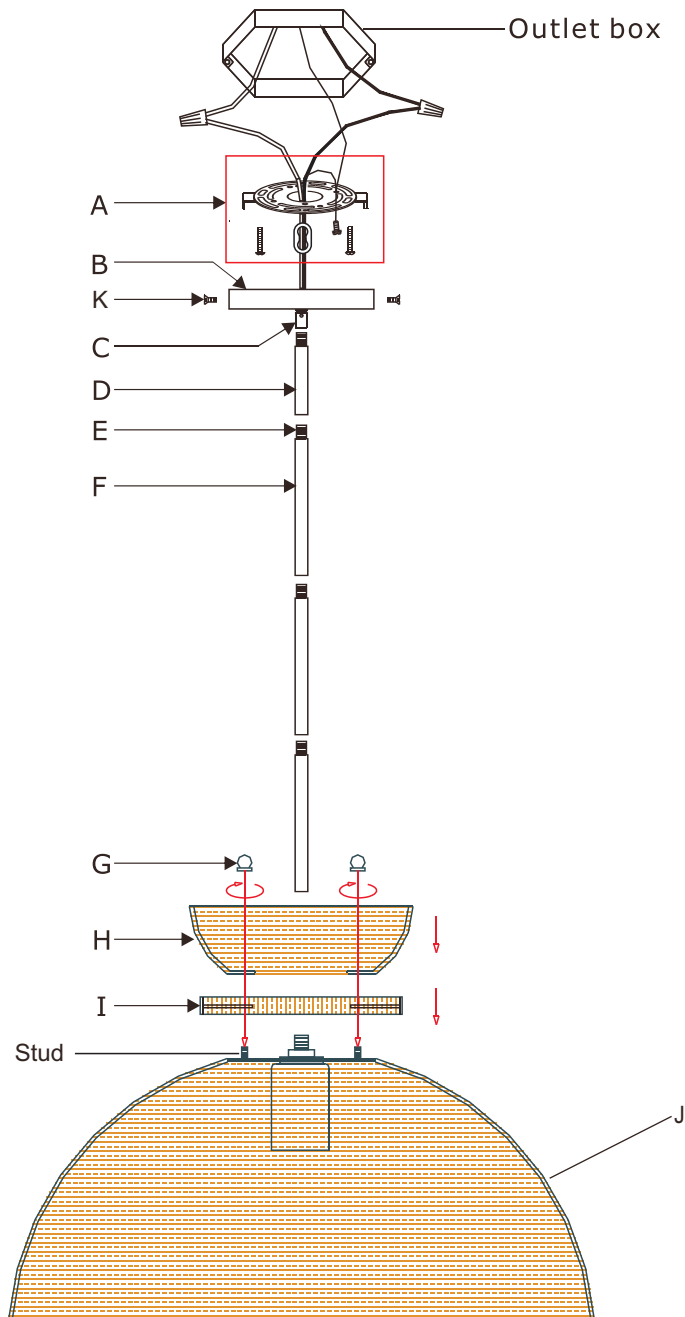
How to Install

1. Place the jute band ring and the top jute dome over the stud on the bottom jute and secure with the ball nuts.
2. Decide the preferred hanging height and choose the correct length of stems needed.
3. Feed the wire through the stems and connect them together. Screw one end of the stem assembly onto the nipple on the top of the frame and the other end onto the swivel.
4. Install the mounting plate onto the outlet box.
5. Raise the fixture up onto the ceiling and do the wire connections. Secure the canopy onto the mounting.
6. Install the bulb onto the socket.

WARNING: This product can expose you to Lead, which is known to the State of California to cause cancer and/or birth defects or reproductive harm. For more information go to www.P65Warnings.ca.gov.



PART NUMBER MODEL # RES-10520-MT



Part Number

- A. (1) - Mounting Hardware
- B. (1) - Canopy(W5.1", H0.9") #XRE10520MTCAN5.1IN
- C. (1) - Swivel
- D. (1) - Hanging Stem(6", 12.5mm) #XRE10520MTSTEM6IN
- E. (4) - Threaded Nipple
- F. (3) - Hanging Stem(12", 12.5mm) #XRE10520MTSTEM12IN
- G. (3) - Ball Nut
- H. (1) - Top Jute Dome
- I. (1) - Jute Band Ring
- J. (1) - Bottom Jute Dome
- K. (1) - Canopy Screw