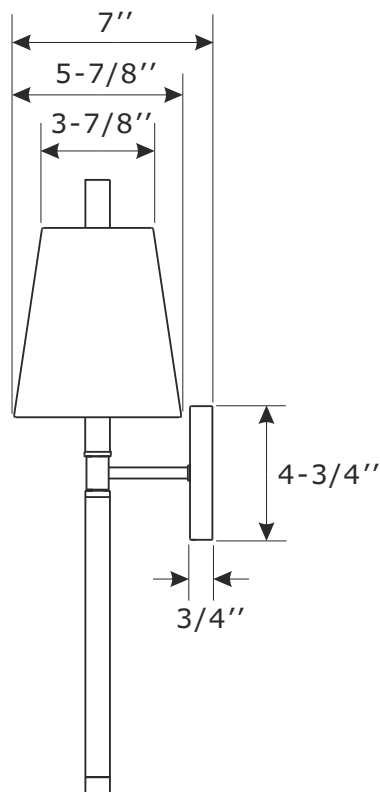
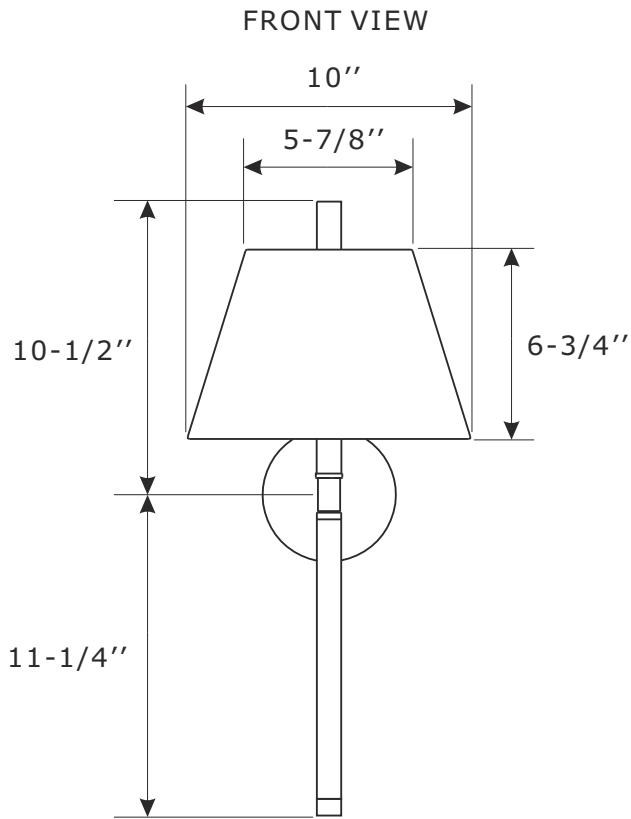




ASSEMBLY INSTRUCTION MODEL#REN-261-AG



All electrical components must be installed by a licensed electrician in accordance with the National Electric Code and the appropriate local electrical codes.



You will need 1- Candelabra Base Bulb
40 Watts Recommended 60 Watts Max.
USE LED BULBS FOR EXTENDED USE
This fixture is Damp rated

How to install

1. Install the mounting plate to the outlet box using two outlet box screws.
2. Install backplate onto the mounting plate, and secure with the screws.
3. Install the fabric shade onto the candle sleeve.
4. Slip the plastic washer over the nipple of the crystal finial, and thread crystal finial into the top of the fabric shade.
5. Install the bulb(not included) into the socket.



ASSEMBLY INSTRUCTION MODEL#REN-261-AG

Part Number

Part Numbers

- A. (1)-Mounting hardware
- B. (1)-Mounting plate
- C. (1)-Backplate W4-3/4"xH3/4" #XRF261AGBKP4.75IN
- D. (2)-Screw
- E. (1)-Candle sleeve W7/8"xL3-3/8" #XRF261AGCDL3.375IN
- F. (1)-Fabric shade L10"xW5-7/8"xH6-3/4" #XRF261SHA6.75IN
- G. (1)-Plastic washer
- H. (1)-Crystal finial #XRF261AGCRYFIN

