

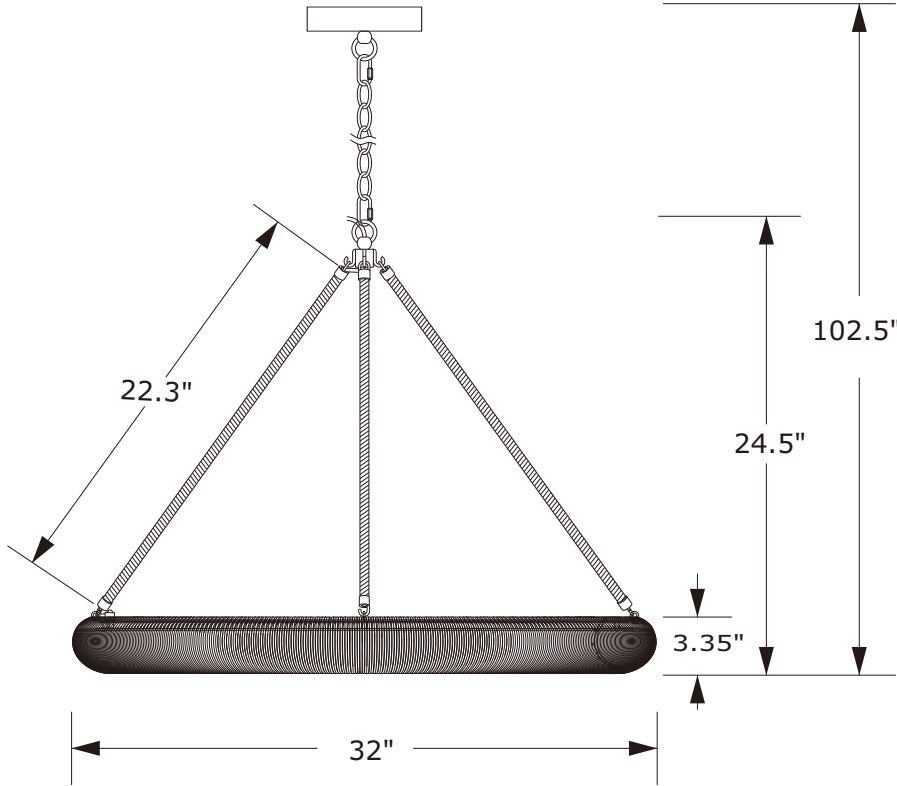
# CRYSTORAMA

LIGHTING THE WAY FOR SIXTY YEARS



Crystorama.com

## ASSEMBLY INSTRUCTION MODEL # OAK-7538-SG\_CEILING

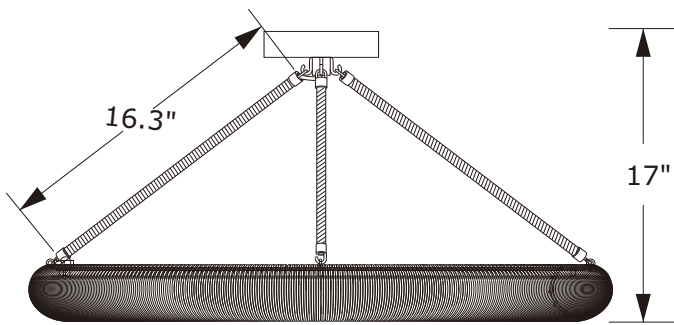


All electrical components must be installed by a licensed electrician in accordance with the National Electric Code and the appropriate local electrical codes.



FIXTURE USES INTEGRATED LEDES (INCLUDED)  
30 WATTS MAX  
THIS FIXTURE IS DRY RATED

### How to install



cf < Ub [ ]b [ .  
% "8YVXY hY dfYZffYX \ Ub [ ]b [ \ Y] [ \ h UbX  
W ccgY hY Vc ffYVh Yb [ h cZ WXU] b UbX Z] hi FY  
k ]fY " K \ Yb W H] b [ h Y Z] hi FY k ]fYz fYa cj Y  
Ubmgh] W Yfgz cb hY gYVh] cb VY] b [ fYa cj YXz cb Y  
Uh U h] a Y hc Ybgi FY h Y gh] W Yfg Wb VY di h VUW  
Vc ffYVh m"  
& "FYa cj Y h Y cdYb \ cc\_ cb h Y \ cb [ fcX h Yb  
h FYUX h Y k ]fYg h fci [ \ h Y cdYb \ cc\_ UbX  
h Yb h Y \ cb [ fcX " H] [ \ h Yb h Y cdYb \ cc\_ UbX  
cb [ fcX VUW hc [ Y h Yf " Fi b h Y k ]fYg h fci [ \  
h Y WXU] b z \ cc d UbX W bcdm UbX ] bgYfh h Y  
Vi W Y cb h Y YbX cZ h Y k ]fYg " A U\_Y gi FY hc  
Y Uj Y Ybci [ \ k ]fY hc Vc bbYVh k ]h h Y 77H  
Xf] Yf "  
' "HU\_Y h Y YbX cZ h Y fcX k ]h Ub cdYb \ cc\_  
UbX UH UWX ]h hc h Y hc d cZ h Y Z] hi FY ZUa Y  
h Yb UH UWX h Y ch Yf YbX cb hc h Y \ cc d ]h "  
( "7cbbYVh h Y Z] hi FY k ]fYg hc h Y 77H gk ]h W  
Zc \ ck ]b [ h Y k ]f] b [ X] U] fUa cb h Y Zc \ ck ]b [  
dU [ Y a UH W ]b [ h Y YH Yf cb h Y k ]fY gh] W Yf  
k ]h h Y YH Yf cb h Y 77H gk ]h W Yf gh] W Yf " GYh  
h Y Vc cf h Ya dYfUhi FY Uh h ]g ghYd Vmg ]X] b [ h Y  
Vi Hcb hc h Y XYg ]fYX Vc cf h Ya dYfUhi FY f&+ \$ \$ \_  
cf " \$\$\$ \_ E "  
) "FU]gY h Y Z] hi FY i d hc h Y W ] ]b [ UbX Vc bbYVh  
h Y Xf] Yf k ]fYg k ]h h Y \ ci gY k ]fYg " GYW FY  
h Y W bcdm k ]h gWYk g "

cf 7Y ] ]b [ .  
% " FYa cj Y h Y \ cc\_ UbX \ cc d Zfca h Y YbXg cZ h Y \ cb [ fcX  
& " FYdYUhghYd , %d ) UVcj Yz i g] b [ h Y g \ cf h fcX ] bghYUX cZ h Y \ cb [ fcX "

**WARNING:** This product can expose you to Lead, which is known to the State of California to cause cancer and/or birth defects or reproductive harm. For more information go to [www.P65Warnings.ca.gov](http://www.P65Warnings.ca.gov).

# CRYSTORAMA

LIGHTING THE WAY FOR SIXTY YEARS



Crystorama.com

PART NUMBER MODEL # OAK-7538-SG\_CEILING

## Part Number

- A. (1) - Mounting Hardware
- B. (1) - Canopy(W6. 30",H1. 57")#XRE7536SGCAN6. 30IN
- C. (2) - Fixture Loop
- D. (2) - Quick Link
- E. (1) - Hanging Chain(72",4.0mm)#XRE7538SGCHA4.0MM
- F. (1) - Loop Kit
- G. (3) - Long Rod(22",9.3mm) #XRE7538SGSTEM22IN
- H. (1) - Frame
- I. (3) - Short Rod(16",9.3mm) #XRE7538SGSTEM16IN

