

# CRYSTORAMA

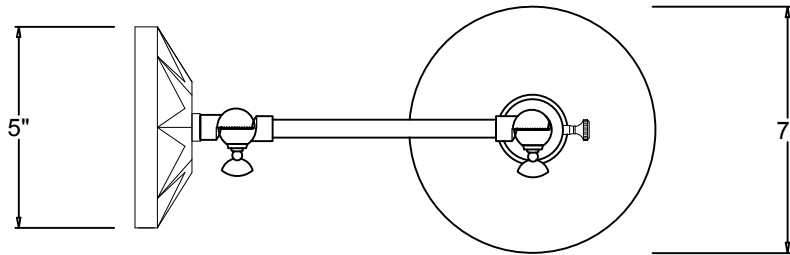
LIGHTING THE WAY FOR SIXTY YEARS



crystorama.com

## ASSEMBLY INSTRUCTION MODEL #MOR-8801-MK

### For Hard-wired



### WARNING

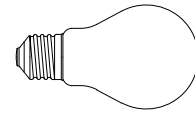


Electrical Danger



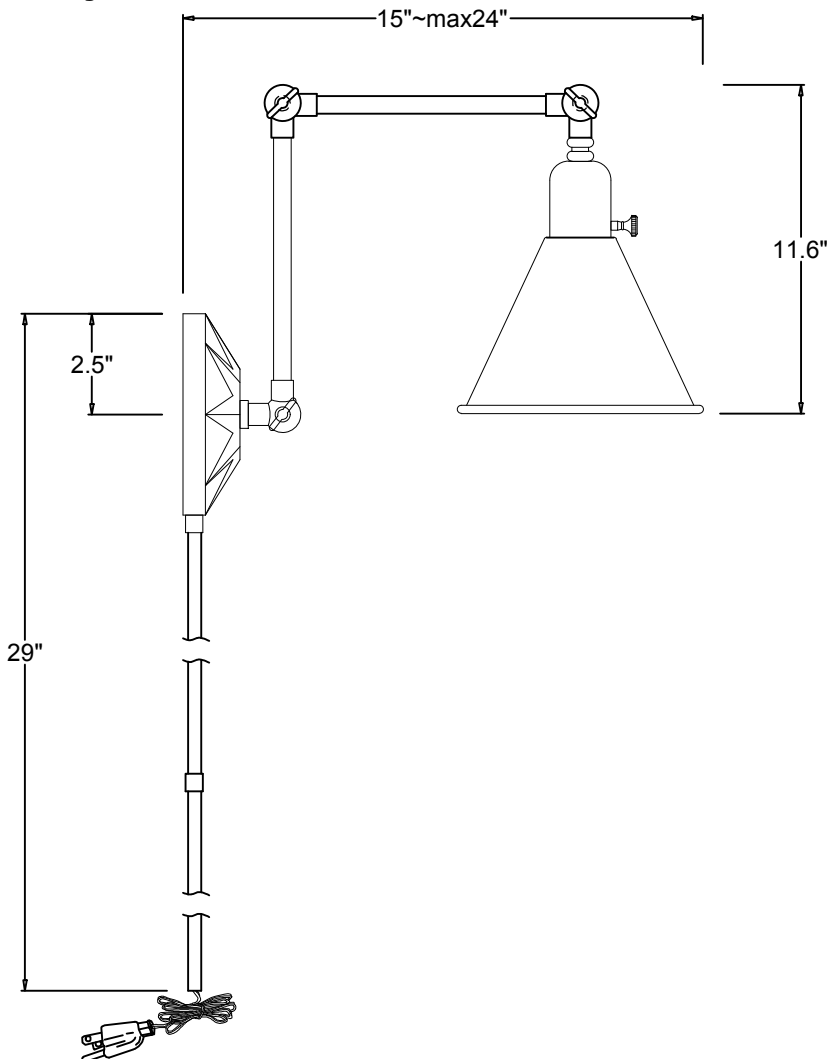
Turn Power Off

All electrical components must be installed by a licensed electrician in accordance with the National Electric Code and the appropriate local electrical codes.



You will need 1-Medium Bulb  
40 Watts Recommended 60 Watts Max  
Bulb not included  
USE LED BULBS FOR EXTENDED USE  
This fixture is DRY rated

### For Plug-in



### How to Install

This is a convertible piece. Installation steps for both Hard-Wire and Plug-In options are below

For Hard-wired installation, please proceed as follows:

1. Remove the plug wires from the fixture wires.
2. Remove the Nut (K) from the bottom of Backplate (B) and cover the hole with plug (J).
3. Attach the mounting plate onto the outlet box using two outlet box screws.
4. Attach the Backplate onto the mounting plate. Secure with side screws.
5. Attach the Shade (G) onto Socket (E) and secure it using the Socket Ring (H).

For Plug-in installation, please proceed as follows:

1. Connect Rod (I) to the bottom of Backplate (B).
2. Determine the desired location you'd like to put this fixture on the wall, and mark two points on it with same distance as between the holes on the Mounting Plate.
3. Drill the holes at the marked points and insert the anchors into the holes. Attach the mounting plate onto the wall by anchor screws.
4. Attach the Backplate (B) onto mounting plate.
5. Attach the Shade (G) onto Socket (E) and secure it using the Socket Ring (H).

WARNING: This product can expose you to Lead, which is known to the State of California to cause cancer and/or birth defects or reproductive harm. For more information go to [www.P65Warnings.ca.gov](http://www.P65Warnings.ca.gov)

# CRYSTORAMA

LIGHTING THE WAY FOR SIXTY YEARS



crystorama.com

PART NUMBER MODEL #MOR-8801-MK

## Part Number

### Part Numbers

- A. Mounting Hardware
  - (2) Wire Nut
  - (1) Mounting Plate
  - (3) Mounting Screws
  - (3) Anchors
  - (2) Anchor Screws
- B. (1) Backplate; Ø5" x 1.6" h; XMO8800MKBKP5IN
- C. (2) Locking Device; XMO8800MKLOCKD
- D. (1) Swing Arm
- E. (1) Socket
- F. (1) Switch
- G. (1) Metal Shade; Ø7" x 5"; XMO8800MKSHA5IN
- H. (1) Socket Ring
- I. (2) Rod; Ø0.5" x 12" h; XMO8800MKROD12IN
- J. (1) Plug
- K. (2) Nut
- L. (3) Screw

