

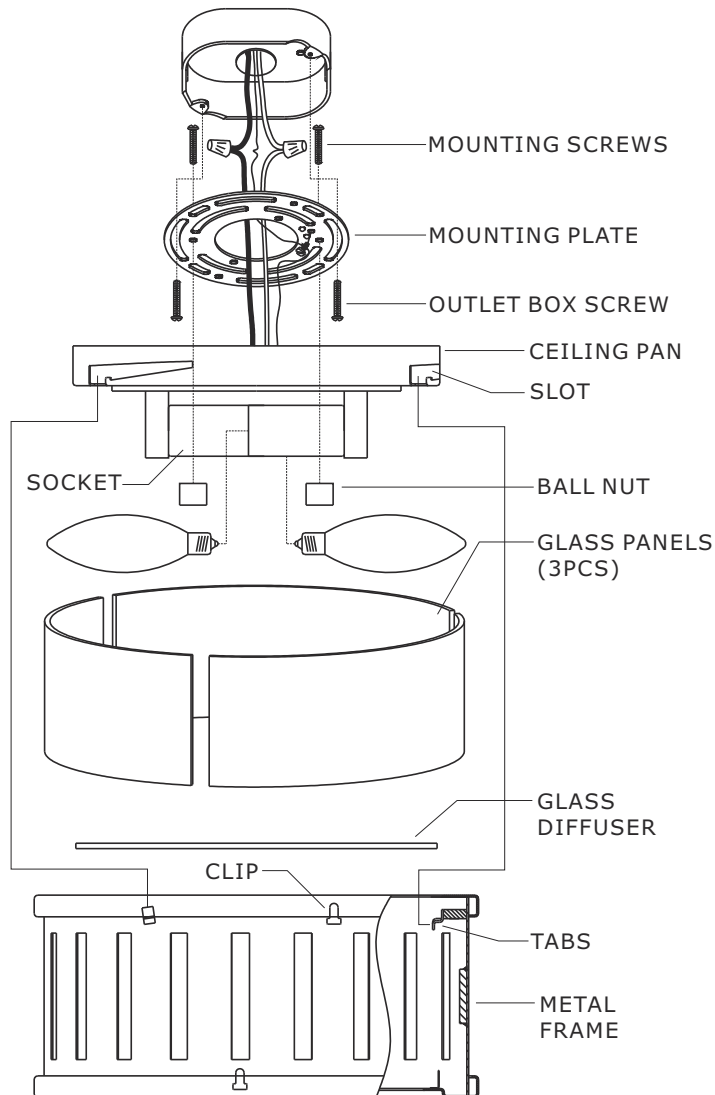
CRYSTORAMA

LIGHTING THE WAY FOR SIXTY YEARS



Crystorama.com

ASSEMBLY INSTRUCTION MODEL#KEN-2200W-PN



WARNING:



Electrical Danger



Turn Power off

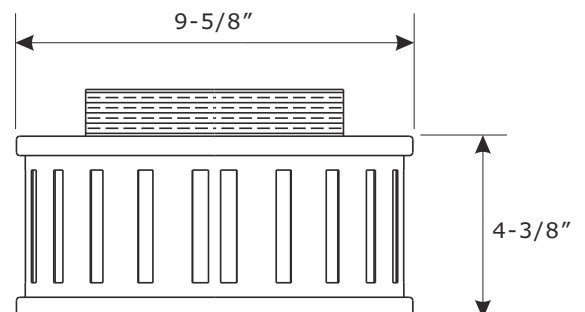
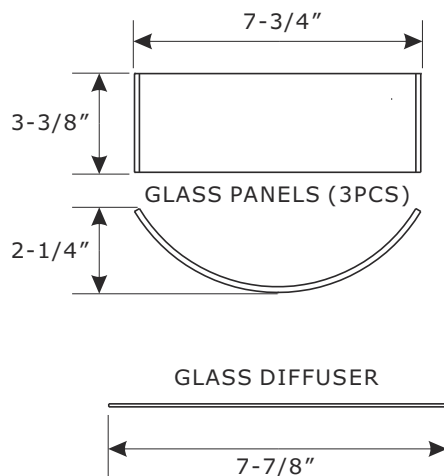
All electrical components must be installed by a licensed electrician in accordance with the National Electric Code and the appropriate local electrical codes.



You will need 2- Candelabra Base Bulb
40 Watts Recommended 60 Watts Max.
USE LED BULBS FOR EXTENDED USE
This fixture is Damp rated

How to install

1. Install the mounting screws into the matching holes in the mounting plate. Secure the mounting plate to outlet box with the outlet box screws.
2. Connect fixture wires to supply wires in outlet box.
3. Raise ceiling pan allowing the mounting screws to protrude through the holes in the ceiling pan, and secure with the ball nut.
4. Install the bulb(not included) into the socket.
5. Slide the glass diffuser onto the bottom of metal frame and secure it with clips.
6. Slide the glass panels inside the metal frame and secure it with clips.
7. Raise the metal frame and insert the tabs on the metal frame into the slot of ceiling pan. Secure it by turning it clockwise.



HOW TO REPLACE THE BULB:

PUSH UP THE METAL FRAME AND TURN IT COUNTERCLOCKWISE TO REMOVE IT FOR RELAMPING.

WARNING: This product can expose you to Lead which is known to the state of California to cause cancer and/or birth defects or reproductive harm. For more information go to www.P65Warnings.ca.gov



ASSEMBLY INSTRUCTION MODEL#KEN-2200W-PN

Part Number

Part Numbers

- A. (1)-Mounting hardware
- B. (1)-Ceiling pan
- C. (2)-Socket
- D. (2)-Ball nut
- E. (3)-Glass panel #XRF2200GLA7.75IN
- F. (1)-Glass diffuser #XRF2200DIF7.875IN
- G. (1)-Metal frame

