

CRYSTORAMA

LIGHTING THE WAY FOR SIXTY YEARS



Crystorama.com

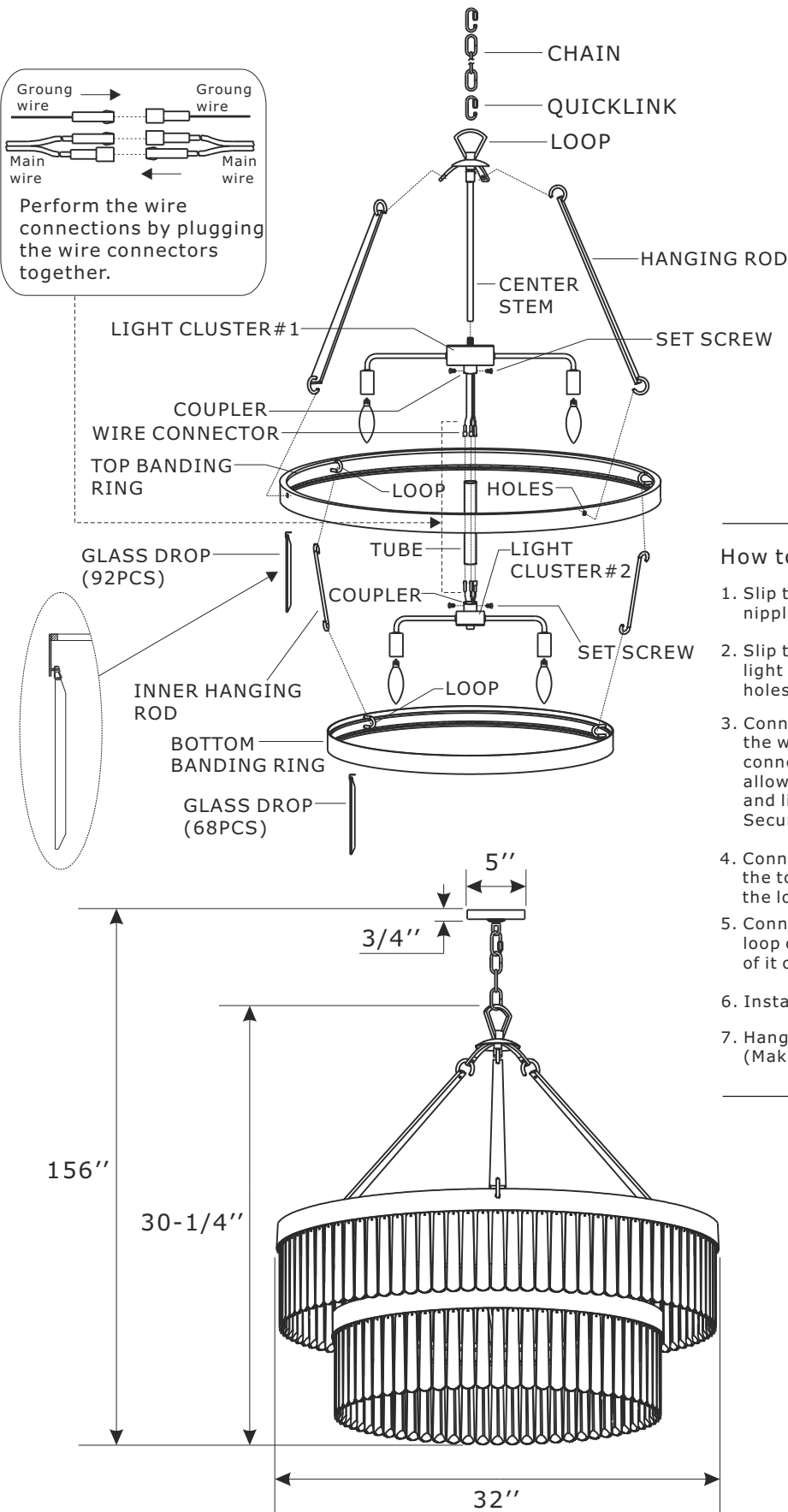
ASSEMBLY INSTRUCTION MODEL#EMO-5408-MG



All electrical components must be installed by a licensed electrician in accordance with the National Electric Code and the appropriate local electrical codes.



You will need 9- Candelabra Base Bulb
40 Watts Recommended 60 Watts Max.
USE LED BULBS FOR EXTENDED USE
This fixture is Damp rated



How to install

1. Slip the center stem along wire and thread onto the nipple located on the top of the light cluster #1.
2. Slip the tube over the coupler on the bottom of the light cluster #1 and line up the holes on it with the holes on the coupler. Secure it with the screw.
3. Connect the fixture wire from light cluster #1 onto the wire from light cluster #2 by plugging the wire connector together. Raise the light cluster #2 up to allow the coupler on top of it to slip into the tube and line up the holes on it with holes on the tube. Secure it with the screw.
4. Connect one end of the hanging rod into the hole of the top banding ring. Connect the other end of it onto the loop assembly.
5. Connect one end of the inner hanging rod onto the loop on the top banding ring. Connect the other end of it onto the loops on the bottom banding ring.
6. Install the bulbs(not included) into the socket.
7. Hang glass drop to the banding ring.
(Make the cut side of glass facing inside)

(W1''xL6'')x160sets

WARNING: This product can expose you to Lead which is known to the state of California to cause cancer and/or birth defects or reproductive harm. For more information go to www.P65Warnings.ca.gov



ASSEMBLY INSTRUCTION MODEL #EMO-5408-MG

Part Number

Part Numbers

- A. (1)-Mounting hardware
- B. (1)-Canopy W5"xH3/4" #XRF5409MGCAN5IN
- C. (1)-Collar ring
- D. (1)-Collar loop
- E. (1)-Chain -L120", 5mm thick #XRF5409MGCHA5MM
- F. (2)-Quick link
- G. (1)-Loop assembly #XRF5409MGLOOP
- H. (1)-Center rod #W5/8"xL12-1/8" #XRF5408MGSTEM12.125IN
- I. (3)-Hanging rod #W1-1/8"xL19" #XRF5408MGROD19IN
- J. (6)-Set Screw
- K. (1)-Top banding ring #W32"xH1-5/8" #XRF5409MGRING2
- L. (1)-Tube W1"xL4-1/8"
- M. (3)-Inner hanging rod D1/4"xL7.3" #XRF5408MGINROD7.3IN
- N. (1)-Bottom banding ring #W24"xH1-5/8" #XRF5409MGRING3
- O. (160)-Glass drop

