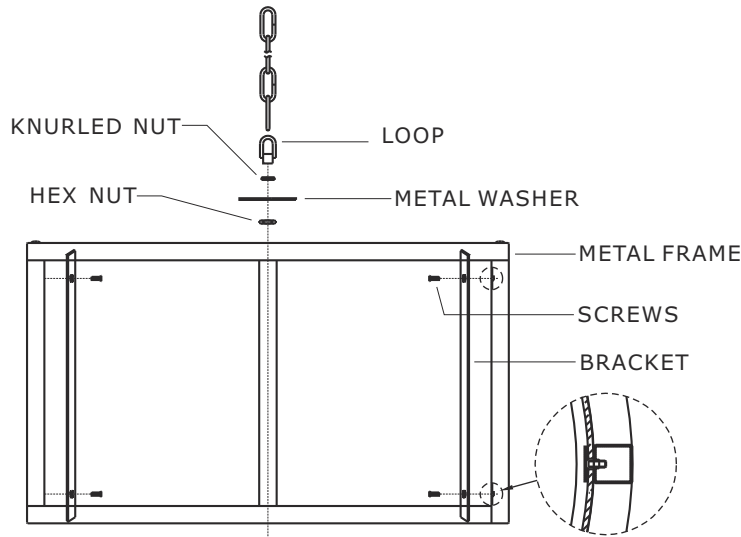


# CRYSTORAMA

LIGHTING THE WAY FOR SIXTY YEARS

ASSEMBLY INSTRUCTION MODEL#DEV-B8066-PN



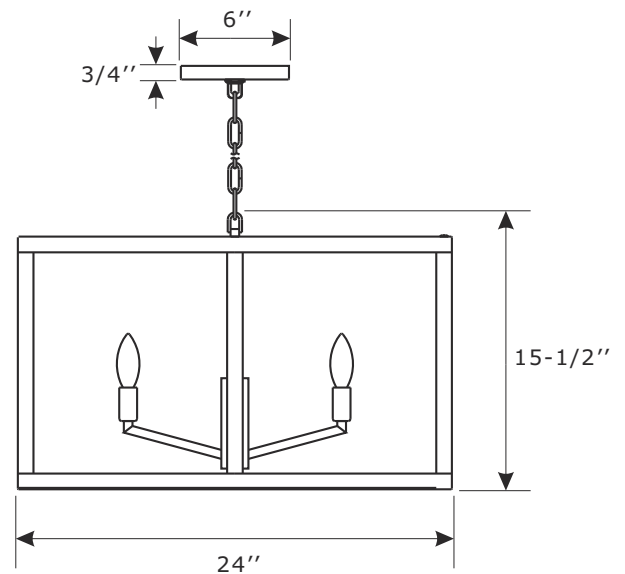
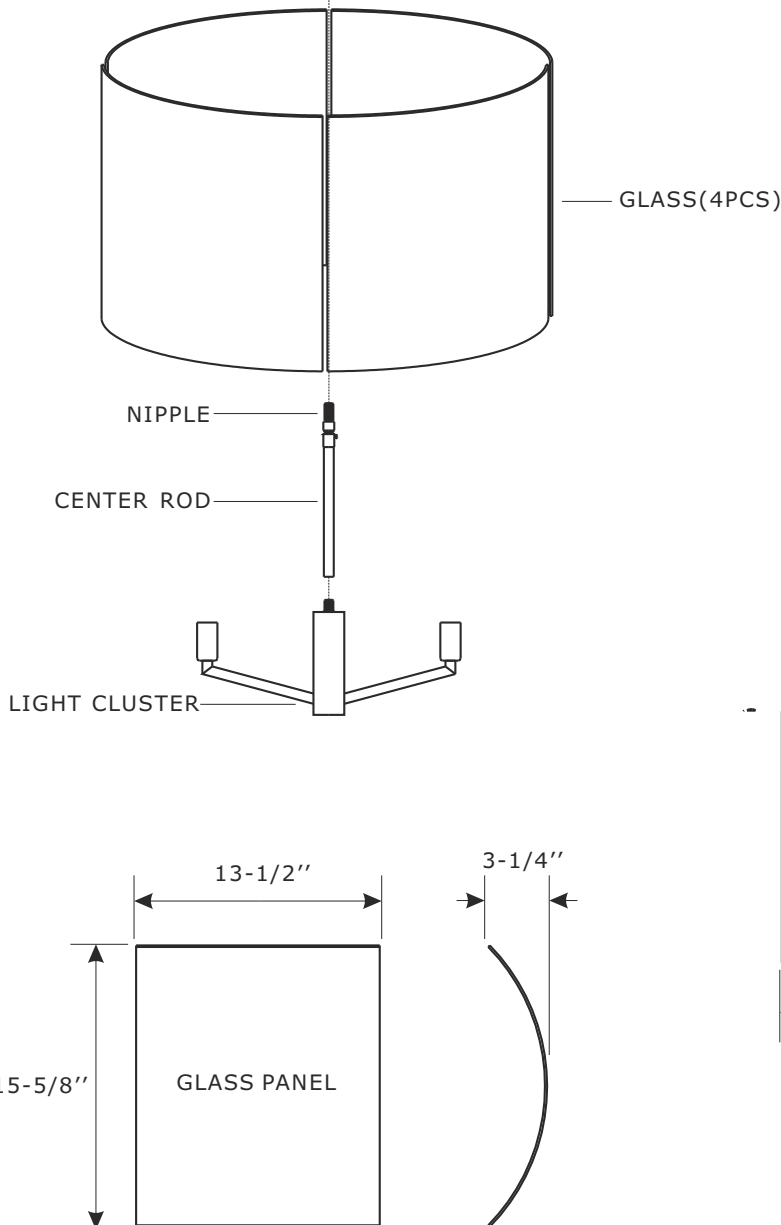
All electrical components must be installed by a licensed electrician in accordance with the National Electric Code and the appropriate local electrical codes.



You will need 6- Candelabra Base Bulb  
40 Watts Recommended 60 Watts Max.  
USE LED BULBS FOR EXTENDED USE  
This fixture is Damp rated

## How to install

1. Install the glass inside the metal frame and secure it with the bracket and screws.  
"Please do not overtighten the screw to avoid the glass from breaking"
2. Slip the center rod along wire and thread onto the nipple on the top of the light cluster.
3. Secure the light cluster assembly to metal frame with the hex nut, the metal washer and the knurled nut.
4. Thread the loop onto the nipple.



**WARNING:** This product can expose you to Lead which is known to the state of California to cause cancer and/or birth defects or reproductive harm. For more information go to [www.P65Warnings.ca.gov](http://www.P65Warnings.ca.gov)

# CRYSTORAMA

LIGHTING THE WAY FOR SIXTY YEARS

PART NUMBER MODEL#DEV-B8066-PN

## Part Number

### Part Numbers

- A. (1)-Mounting hardware
- B. (1)-Canopy W6''xH3/4'' #XRF8006PNCAN6IN
- C. (1)-Collar Loop
- D. (1)-Collar ring
- E. (1)-Chain -L72'', 4mm thick #XRF8003PNCHA4MM
- F. (1)-Loop
- G. (1)-Nipple
- H. (1)-Metal frame
- I. (8)-Screw
- J. (4)-Bracket W3/4''xL13-1/2''
- K. (6)-Socket
- L. (4)-Glass panel #XRF8066GLA13.5IN

