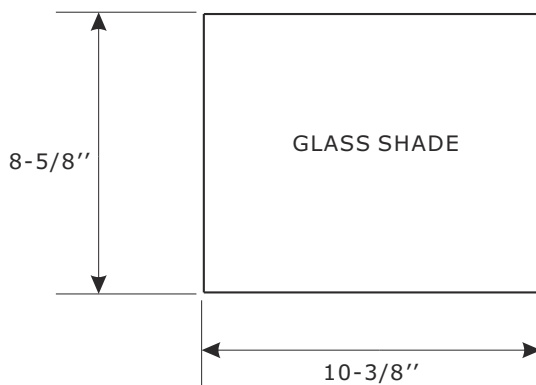
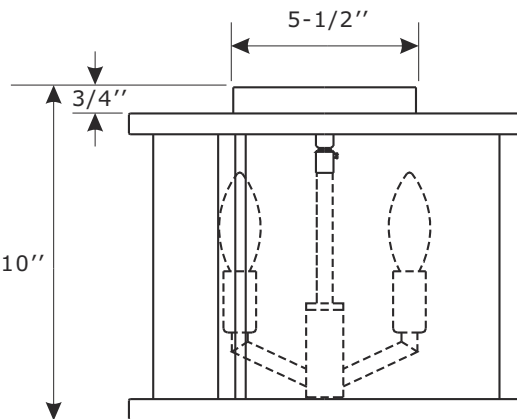
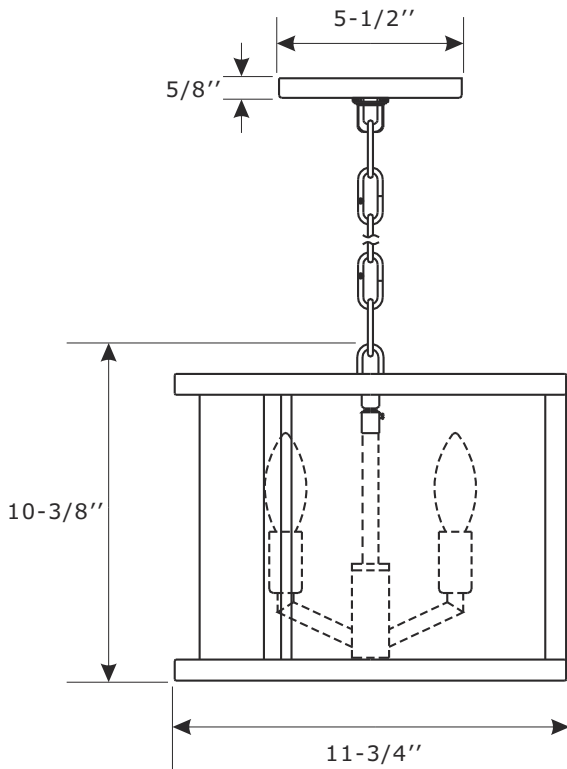


CRYSTORAMA

LIGHTING THE WAY FOR SIXTY YEARS

ASSEMBLY INSTRUCTION MODEL#DEV-B8003-PN



All electrical components must be installed by a licensed electrician in accordance with the National Electric Code and the appropriate local electrical codes.



You will need 3- Candelabra Base Bulb
40 Watts Recommended 60 Watts Max.
USE LED BULBS FOR EXTENDED USE
This fixture is Damp rated

How to install

For hanging:

1. Remove the spoke and light cluster from the metal frame by loosening the nuts.
2. Slip the glass shade into the bottom of metal frame.
3. Put the light cluster and spoke back into the metal frame and secure with the nuts.

For ceiling:

1. Remove the spoke and light cluster from the metal frame by loosening the nuts.
2. Slip the glass shade into the bottom of metal frame.
3. Remove the loop and nipple from top of spoke and screw the canopy with 2-hole into the swivel on the light cluster.
4. Put the light cluster and spoke back into the metal frame and secure with the nuts.
5. Thread the mounting screws into the matching holes of the mounting bar, and tighten with the hex nut.
6. Secure the mounting bar to the outlet box with the outlet box screws.
7. Raise canopy allowing the mounting screws to protrude through the holes in the canopy, and secure with the finials.
8. Install the bulb(not included) into socket.

WARNING: This product can expose you to Lead which is known to the state of California to cause cancer and/or birth defects or reproductive harm. For more information go to www.P65Warnings.ca.gov

CRYSTORAMA

LIGHTING THE WAY FOR SIXTY YEARS

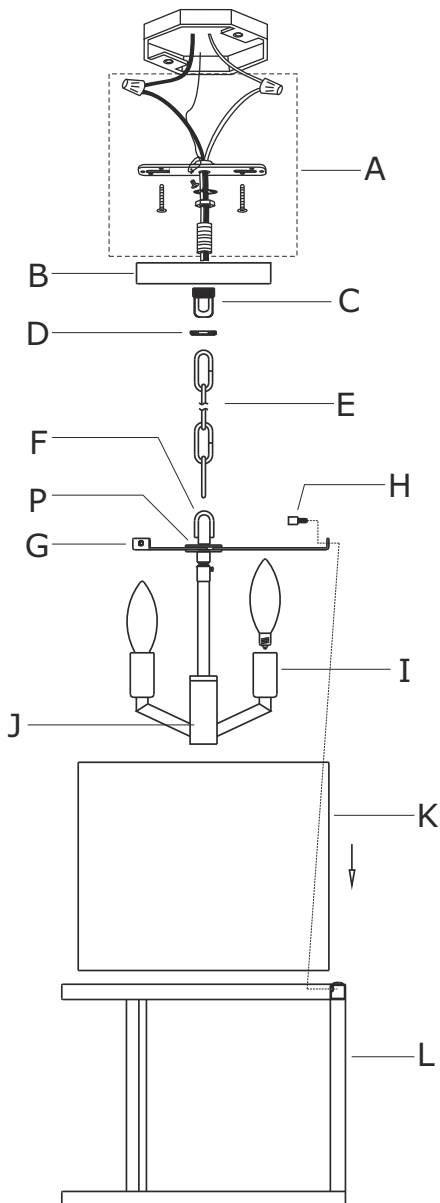
PART NUMBER MODEL#DEV-B8003-PN

Part Number

Part Numbers

- A. (1)-Mounting hardware
- B. (1)-Canopy (center hole) W5-1/2"xH5/8" #XRF8003PNCANH
- C. (1)-Collar Loop
- D. (1)-Collar ring
- E. (1)-Chain -L72", 4mm thick #XRF8003PNCHA4MM
- F. (1)-Loop
- G. (1)-Spoke
- H. (3)-Nut
- I. (3)-Socket
- J. (1)-Light cluster
- K. (1)-Glass shade #XRF8003GLASHA
- L. (1)-Metal frame
- M. (1)-Canopy with 2-hole #XRF8003PNCANC
- N. (2)-Finial #XRF8003PNFIN
- O. (1)-Swivel
- P. (1)-Metal washer

FOR HANGING:



FOR CEILING:

