

# CRYSTORAMA

LIGHTING THE WAY FOR SIXTY YEARS

## ASSEMBLY INSTRUCTION MODEL #CLO-8898-AG

**WARNING:**

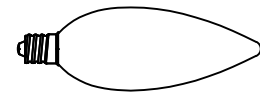


Electrical Danger



Turn Power Off

All electrical components must be installed by a licensed electrician in accordance with the National Electric Code and the appropriate local electrical codes.



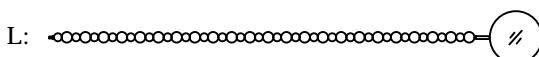
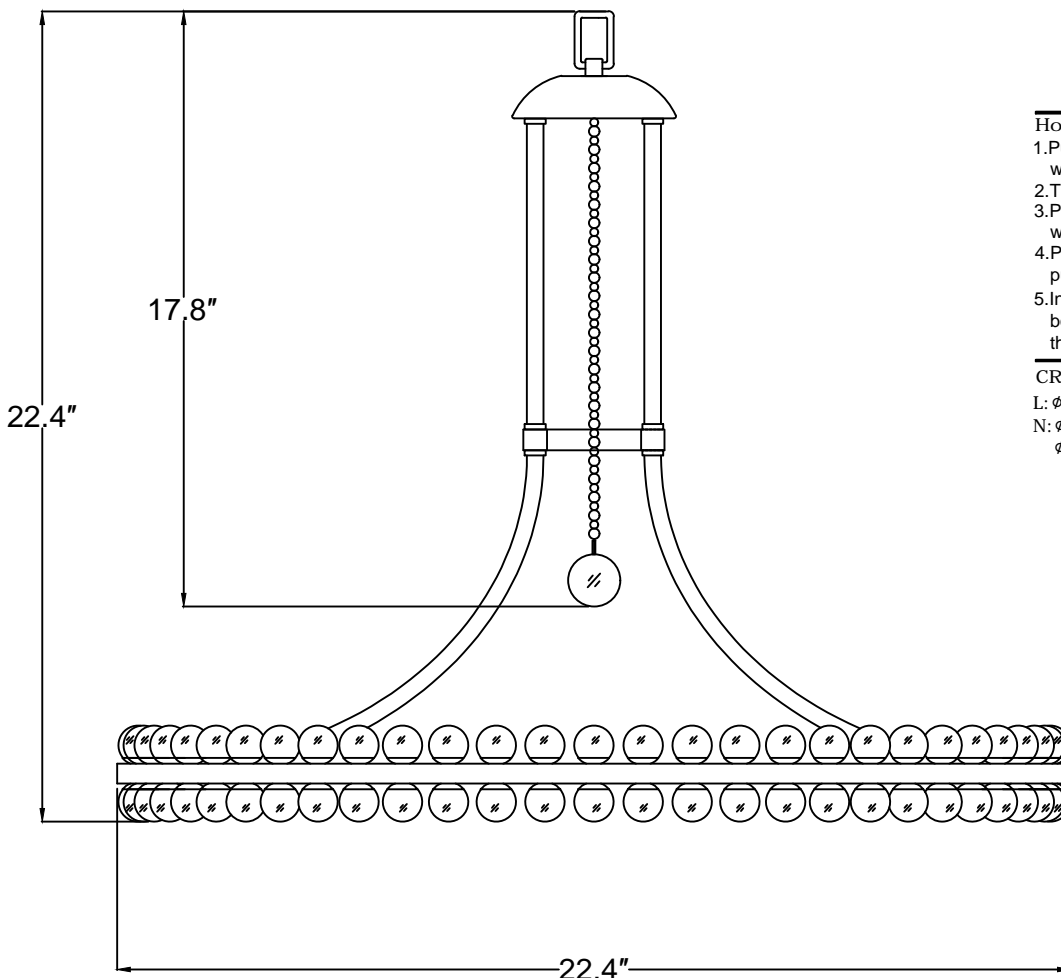
You will need 8-Cand.BULB  
60 watts Max Bulb not included  
USE LED BULBS FOR EXTENDED USE

**How to Install**

1. Put the Check Ring over the hex nut on top of wiring box.
2. Thread Rod onto the nipple.
3. Place the top metal plate over the rod and secure it with hex nut.
4. Pull the fixture wire through the hickey until taut and put the top cap over it and secure by fixture loop.
5. Insert each long threaded crystal ball through the bottom of the ring, then secure it from the top with the crystal ball (without nipple).

**CRYSTAL SETS:**

- L:  $\phi 6\text{mm} \times 23, \phi 8\text{mm} \times 23, \phi 40\text{mm} \times 1$
- N:  $\phi 30\text{mm} \times 45$ , Crystal ball with long thread
- $\phi 30\text{mm} \times 45$ , Crystal ball



**WARNING:** This product can expose you to Lead, which is known to the State of California to cause cancer and/or birth defects or reproductive harm. For more information go to [www.P65Warnings.ca.gov](http://www.P65Warnings.ca.gov)

# CRYSTORAMA

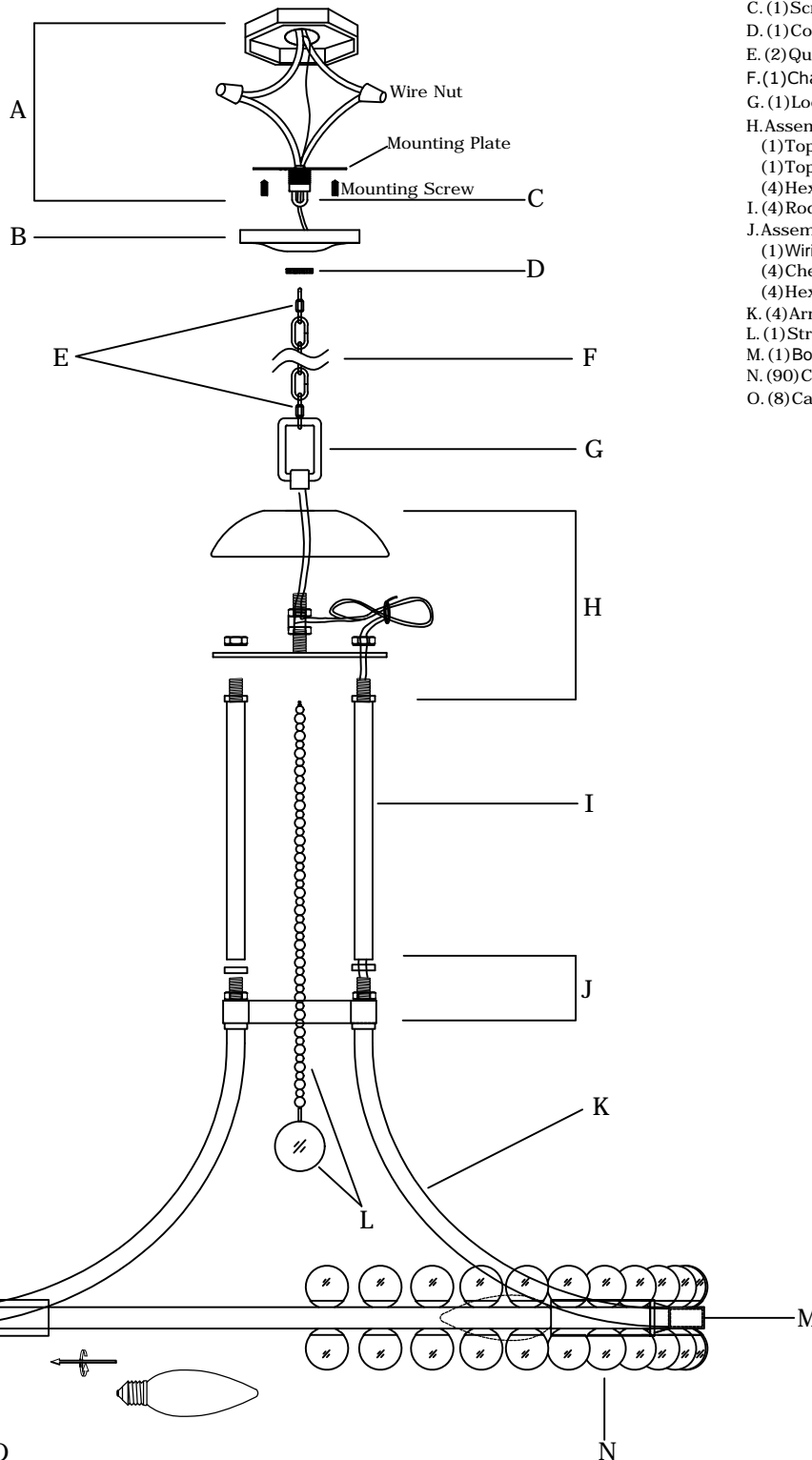
LIGHTING THE WAY FOR SIXTY YEARS



PART NUMBER MODEL #CLO-8898-AG

## Part Number

### Part Numbers

- A. Mounting Hardware
  - (1) Mounting Plate
  - (2) Mounting Screw
  - (3) Wire Nut
- B. (1) Canopy;  $\varnothing 5.5" \times 0.98" \text{h}$ ; XMO8890AGCAN5.5IN
- C. (1) Screw Collar Loop
- D. (1) Collar Ring
- E. (2) Quick Link
- F. (1) Chain;  $72" \text{Lx} \varnothing 5.0 \text{mmT}$ ; XMO8890AGCHA5.0MM
- G. (1) Loop
- H. Assembly Hardware
  - (1) Top Cap
  - (1) Top Metal Plate
  - (4) Hex Nut
- I. (4) Rod;  $\varnothing 0.5" \times 8.7" \text{h}$ ; XMO8898AGROD8.7IN
- J. Assembly Hardware
  - (1) Wiring Box
  - (4) Check Ring
  - (4) Hex Nut
- K. (4) Arm;  $\varnothing 0.5"$
- L. (1) Strand Crystal
- M. (1) Bottom Ring
- N. (90) Crystal Ball;  $\varnothing 1.18"$
- O. (8) Candle Sleeve;  $\varnothing 1" \times 2.8" \text{h}$ ; XMO8890AGCDL2.8IN



	
x2	x3
Mounting Screw	Wire Nut